

All information contained in this manual is based on the latest product information at the time of publication. Bajaj Auto Limited accepts no liability for any inaccuracies or omissions in this publication, although every possible care has been taken to make it as complete and accurate as possible. All procedures and specifications subject to change without prior notice. The right is reserved to make such changes at any time without prior notice and without incurring an obligation to make such changes to product manufactured previously. Contact your authorized Bajaj Dealer for the latest information on product improvements incorporated after this manual was issued.

DOC. NO.: 71111891

REV. 00, NOV. 2013

We have pleasure in presenting the Spare Parts Catalogue for **RE COMPACT, OPTIMA & MAXIMA DIESEL** Vehicles. This catalogue has been specially designed to assist you in selecting the correct parts to maintain your vehicle in best running condition.

The Bajaj spares are subjected to the stringent quality control standards to ensure longer life of the vehicle. It is therefore necessary that only the Genuine Bajaj Spares are used.

In a continual effort to improve performance and efficiency of the vehicle, Specifications, Diagrams, Illustrations and Part Numbers can change without notice. Consequently, the description in this Spare Parts Catalogue cannot therefore be final and binding on us.

The modifications/ alterations which are carried out after the issue of this catalogue, will be conveyed to you through our service circulars. You are requested to make necessary corrections in the parts catalogues as per the circulars so as to keep your catalogues up to date. This will ensure the appropriate and speedy delivery of the spare parts as the order placed will bear the latest part numbers.

For latest information of serviceable spares, refer catalogues on dealer portal.

In case, if you need any technical assistance contact the concerned Regional Office or write to us on the following address :

Service Department

Bajaj Auto Ltd.

Akurdi, Pune 411 035 India

Phone : 020-66106447

Fax : 020-27407385

E-mail : service@bajajauto.co.in

INSTRUCTIONS FOR USING THE CATALOGUE

RE COMPACT,OPTIMA & MAXIMA DIESEL

- How to Read the Catalogue : Open the catalogue and from the pictorial index locate the group in which the part you want to find is present. Turn over to the concerned page number (as given by pictorial index). Now find out the figure of the part you wish to order. Write down the part number against that particular figure number from the text.

In case, if you have the part number and you need the other details, the part index can be used. The part index (at the end of the catalogue) will give you the figure and page number of the part you wish to order.

- How to Order Spare Parts : The part number and the description of the part required should be invariably mentioned in the order as per the catalogue text.

The latest part number as conveyed through our service circulars should only appear on the order. In case of ordering painted components, colour shade of the components should be mentioned.

The quantity shown against the part number is the quantity per vehicle for that group so that particular quantity should be multiplied by the number of sets required.

- Part Number System : We have used 8 digit system for part numbers. The model or hardware item is indicated by first two digits or alphanumeric, the next two or four digits indicate main group and the last four or two digits indicate serial number in main group or serial number or subgroup of fastener respectively. Thus the part numbers will be indicated by 2-4-2 digit system. Understanding this system will enable you to identify the spare parts easily.

- Abbreviations : The following abbreviations are used in this catalogue.

assly.	Assembly	V	Volts
N.I.	Not illustrated	W	Watts
C'case	Crankcase	accl.	Accelerator
Cyl	Cylinder	Comp.	Complete
o/s.	Over size	Fr	Front
Std.	Standard	L	Length
alt.	Alternate	Rr	Rear
R.H.	Right hand	Hex.	Hexagonal
L.H.	Left hand	AR	As required
NS	NOT SERVICEABLE		

INDEX

RE COMPACT,OPTIMA & MAXIMA DIESEL

S.N.	Description	Page No.	S.N.	Description	Page No.
1	Engine , Cylinder Crankcase	1,2	31a	Propeller shaft / Flanges	43
2	Cam shaft Assembly	3	32	Trailing Arm	44
3	Piston & Connecting Rod Assly	4	33	Rear Shock Absorber	45
4	Crankshaft Assembly	5	34	Rear Hub & Axle	46
5	Weight Balancer	6	35	Rear Wheel Assly	47
6	Governor	7	36	Front Hub	48,49
7	Speed Control Levers	8	37	Front Brake Drum	50
8	Cover Crankcase	9	37a	Front Brake Drum	51
9	Oil Pump	10	38	Auto Adjuster Brack System	52,53
10	Clutch	11	39	Auto Adjuster Brack System	54,55
11	Clutch Shaft Assly	12	40	Steering Column & Fork Assly	56,57
12	Main Housing	13	41	Front Shock Absorber	58
13	Gear Box Cover	14	42	Front Mudguard	59
14	Gear Shifter Assly	15	43	Brake Pipes	60
15	Gear Transmission	16,17	44	Tandem Master Cylinder	61
16	Main shaft Assly	18	45	Brake Pedal	62
17	Differential Gear Assembly	19	46	Clutch Pedal	63
17a	Differential Gear Assembly	20	47	Handle Bar Assembly	64
18	Differential Cover Assembly	21	48	Dashboard - Compact	65
19	Cylinder Head	22,23	48a	Dashboard - Optima	66,67
20	Rocker Arm	24	48b	Dashboard - Maxima	68
21	Cylinder Head Cover	25	49	Steering & Head lamp Cover	69
22	Oil Cooler	26	50	Windshield & Wiper Motor	70
23	Alternator & Starter Motor	27	50a	Windshield & Wiper Motor	71
24	Air Filter Assembly	28	51	Control Cables	72,73
24a	Air Filter Assembly	29	52	Chassis	74
25	Air Intake Assly	30	53	Wiring harness	75
25a	Air Intake Assly	31	54	Body - Compact	76
26	Silencer	32	54a	Body - Optima	77
27	Fuel Tank Assembly -Compact	33	54b	Body - Maxima	78
27a	Fuel Tank Assembly -Optima	34	55	Seat & Hood Frame- Compact	79
27b	Fuel Tank Assembly -Maxima	35	55a	Seat & Hood Frame- Optima	80
28	Fuel Filter Assembly	36	55b	Seat & Hood Frame- Maxima	81
28a	Fuel Filter Assembly	37	56	Battery	82
29	Injection Pump & Nozzle Holder	38	57	Head Light	83
30	Engine Mounting - Optima	39	58	Indicator Assly	84
30a	Engine Mounting - Compact	40	59	Tail Lamp Assembly	85
30b	Engine Mounting - Maxima	41	60	Electrical units	86
31	Propeller shaft / Flanges	42	61	Switches	87

Pictorial Index

RE COMPACT,OPTIMA & MAXIMA DIESEL

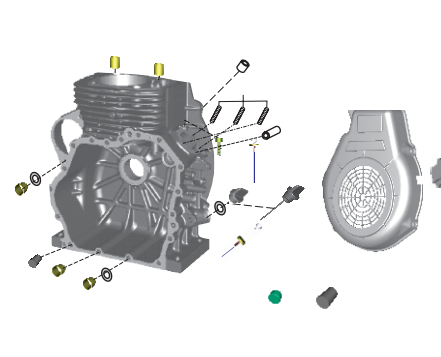
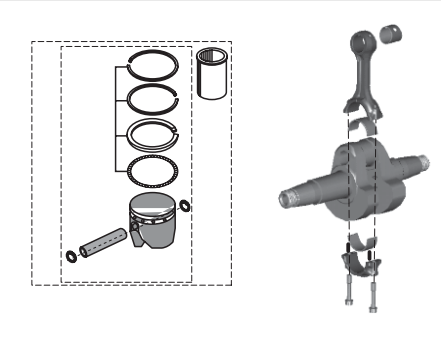
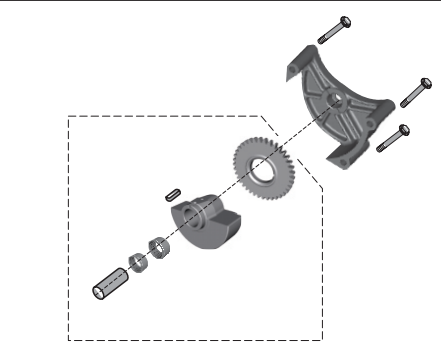
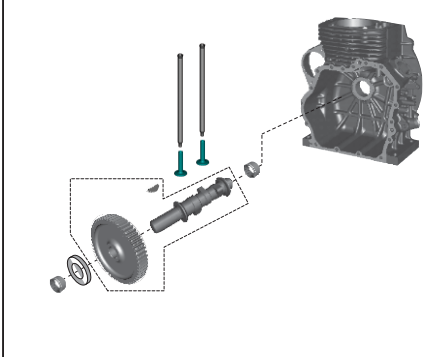
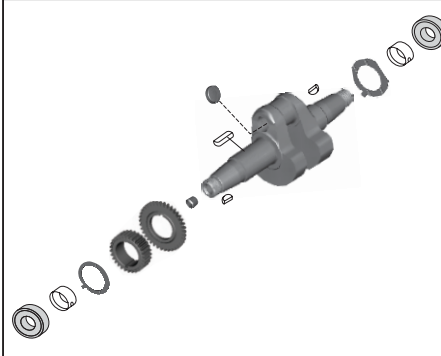
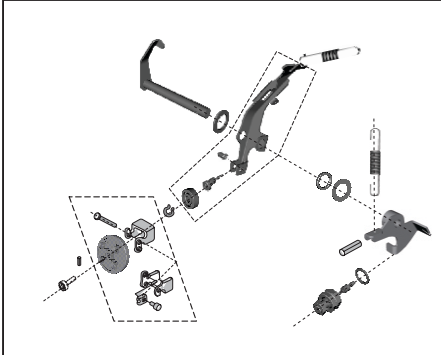
PLATE NO. : 1 Engine, Cylinder Crankcase	PAGE NO.: 1,2
	
PLATE NO. : 3 Piston & Connecting Rod Assy	PAGE NO.: 4
	
PLATE NO. : 5 Weight Balancer	PAGE NO.: 6
	

PLATE NO. : 2 Cam shaft Assembly	PAGE NO.: 3
	
PLATE NO. : 4 Crankshaft Assembly	PAGE NO.: 5
	
PLATE NO. : 6 Governor	PAGE NO.: 7
	

Pictorial Index

RE COMPACT,OPTIMA & MAXIMA DIESEL

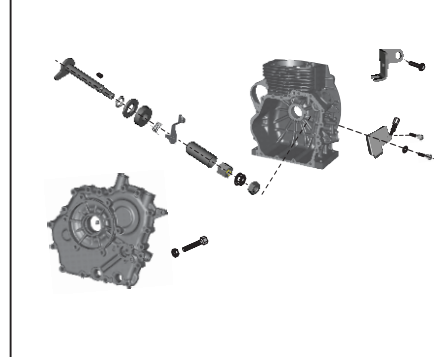
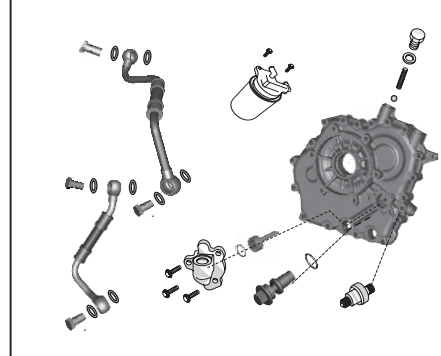
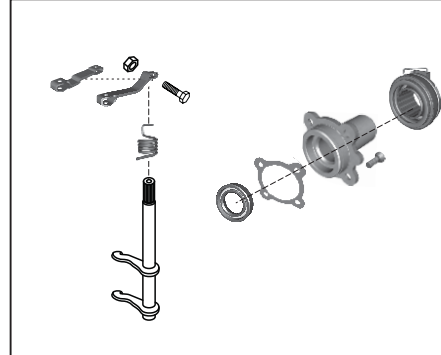
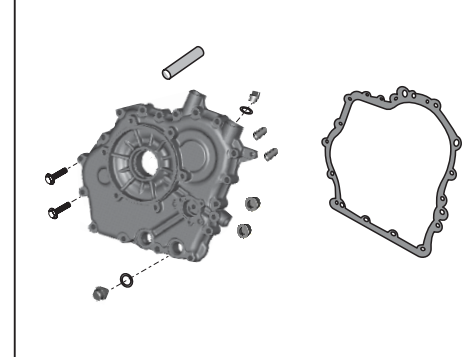
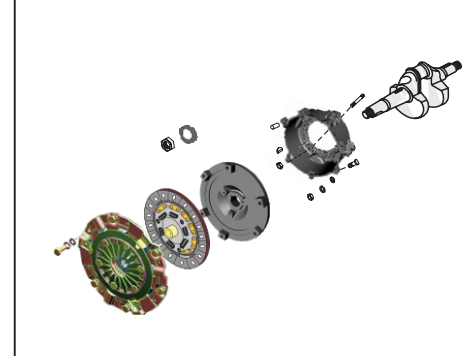
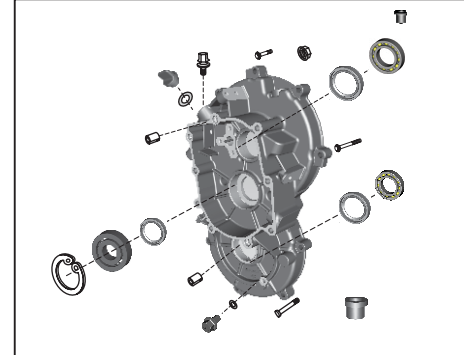
PLATE NO. : 7 SPEED CONTROL LEVERS	PAGE NO.: 8
	
PLATE NO. : 9 OIL PUMP	PAGE NO.: 10
	
PLATE NO. : 11 CLUTCH SHAFT ASSLY	PAGE NO.: 12
	

PLATE NO. : 8 COVER CRANKCASE	PAGE NO.: 9
	
PLATE NO. : 10 CLUTCH HOUSING	PAGE NO.: 11
	
PLATE NO. : 12 MAIN HOUSING	PAGE NO.: 13
	

Pictorial Index

RE COMPACT,OPTIMA & MAXIMA DIESEL

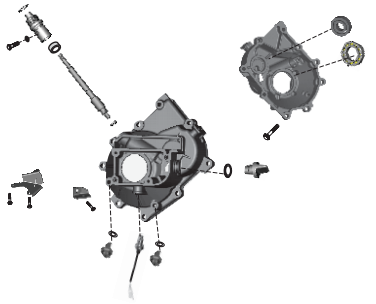
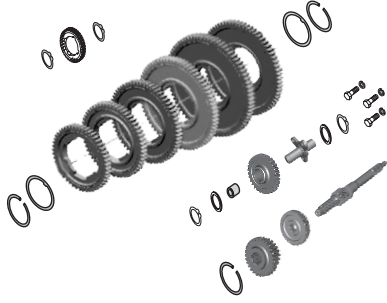
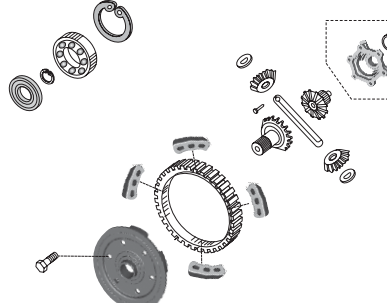
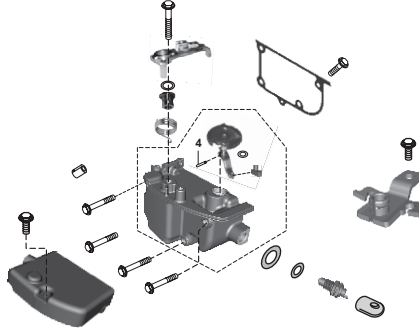
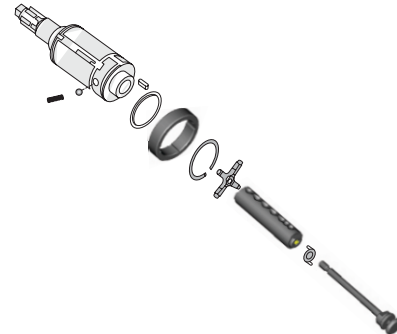
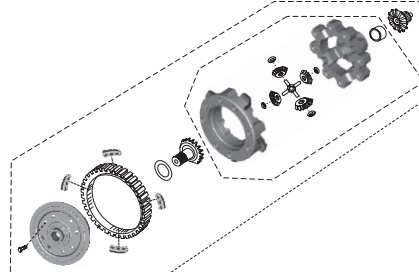
PLATE NO. : 13 GEAR BOX COVER	PAGE NO.: 14
	
PLATE NO. :15 GEAR TRANSMISSION	PAGE NO.: 16,17
	
PLATE NO. : 17 DIFFERENTIAL GEAR ASSEMBLY	PAGE NO.: 19
	

PLATE NO. : 14 GEAR SHIFTER ASSLY	PAGE NO.: 15
	
PLATE NO. : 16 MAIN SHAFT ASSEMBLY	PAGE NO.: 18
	
PLATE NO. : 17a DIFFERENTIAL GEAR ASSEMBLY	PAGE NO.: 20
	

Pictorial Index

RE COMPACT,OPTIMA & MAXIMA DIESEL

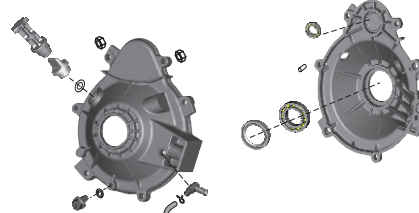
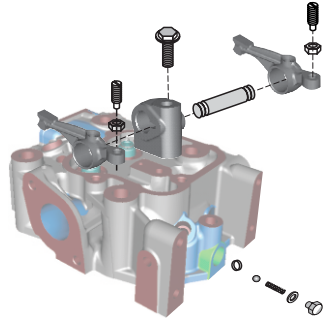
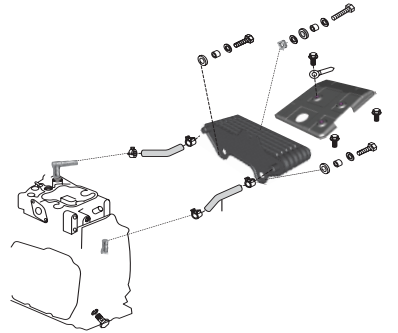
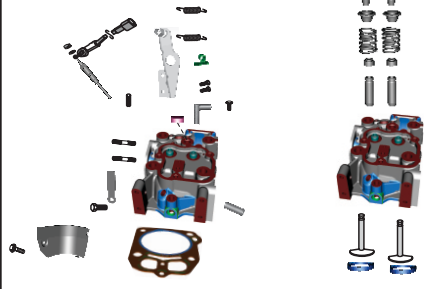
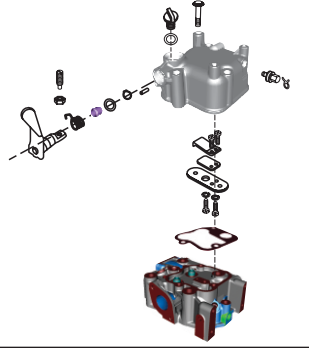
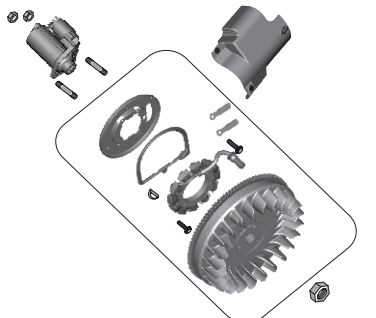
PLATE NO. : 18 DIFFERENTIAL COVER ASSEMBLY	PAGE NO.: 21
	
PLATE NO. : 20 ROCKER ARM	PAGE NO.: 24
	
PLATE NO. : 22 OIL COOLER	PAGE NO.: 26
	

PLATE NO. : 19 CYLINDER HEAD	PAGE NO.: 22,23
	
PLATE NO. : 21 CYLINDER HEAD COVER	PAGE NO.: 25
	
PLATE NO. : 23 ALTERNATOR & STARTER MOTOR	PAGE NO.: 27
	

Pictorial Index

RE COMPACT,OPTIMA & MAXIMA DIESEL

PLATE NO. : 24	PAGE NO.:
AIR FILTER ASSEMBLY	28

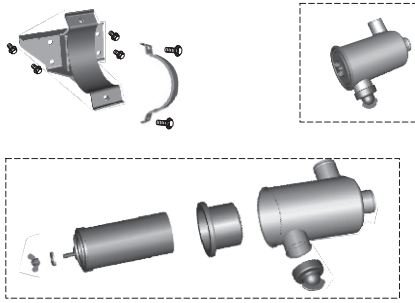


PLATE NO. : 25	PAGE NO.:
AIR INTAKE ASSLY	30

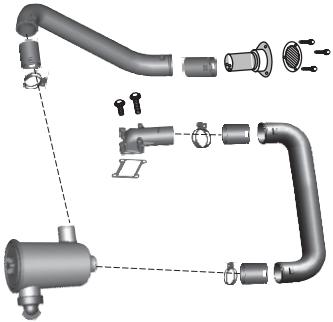


PLATE NO. : 26	PAGE NO.:
SILENCER	32

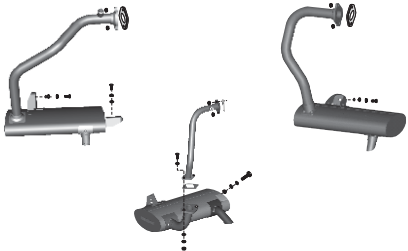


PLATE NO. : 24a	PAGE NO.:
AIR FILTER ASSEMBLY	29

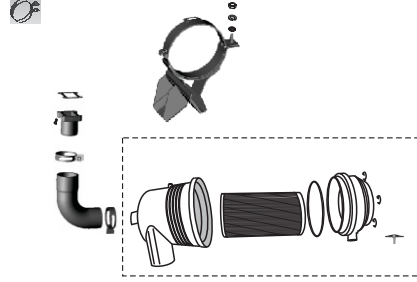


PLATE NO. : 25a	PAGE NO.:
AIR INTAKE ASSLY	31

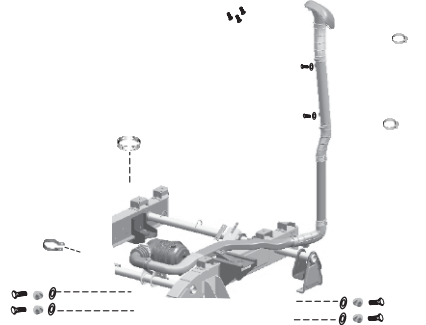
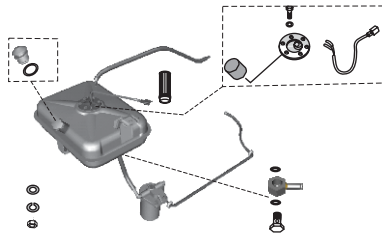


PLATE NO. : 27	PAGE NO.:
FUEL TANK ASSEMBLY -COMPACT	33



Pictorial Index

RE COMPACT,OPTIMA & MAXIMA DIESEL

PLATE NO. : 27a	PAGE NO.:
FUEL TANK ASSEMBLY - OPTIMA	34

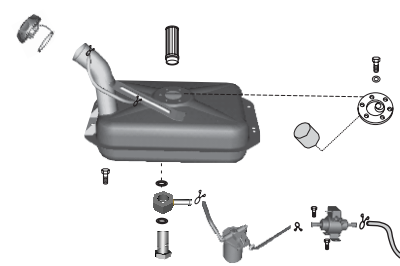


PLATE NO. : 28	PAGE NO.:
FUEL FILTER ASSEMBLY	36

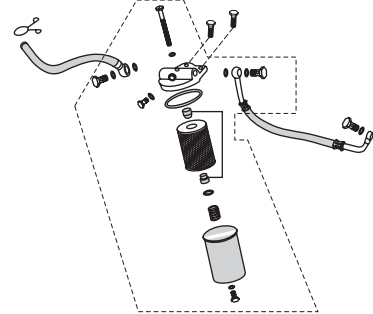


PLATE NO. : 29	PAGE NO.:
INJECTION PUMP & NOZZLE HOLDER	38

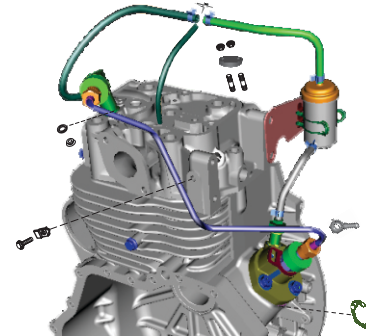


PLATE NO. : 27b	PAGE NO.:
FUEL TANK ASSEMBLY - MAXIMA	35

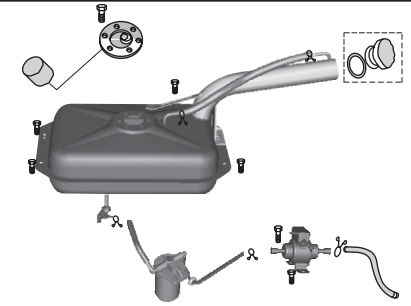


PLATE NO. : 28a	PAGE NO.:
FUEL FILTER ASSEMBLY	37

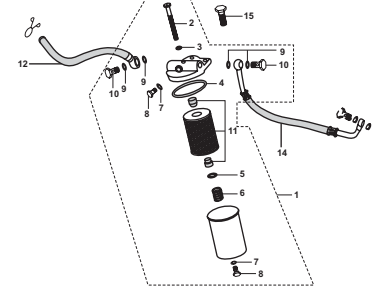
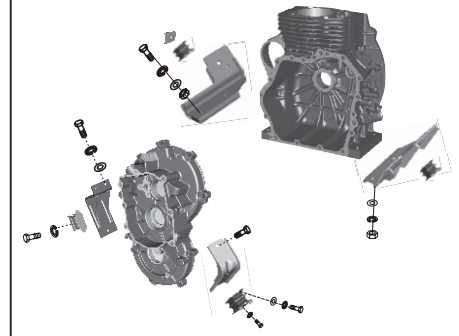


PLATE NO. : 30	PAGE NO.:
ENGINE MOUNTING - COMPACT	39



Pictorial Index

RE COMPACT,OPTIMA & MAXIMA DIESEL

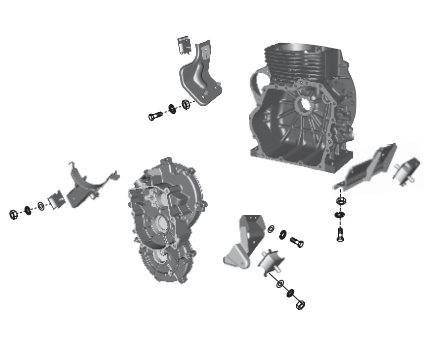
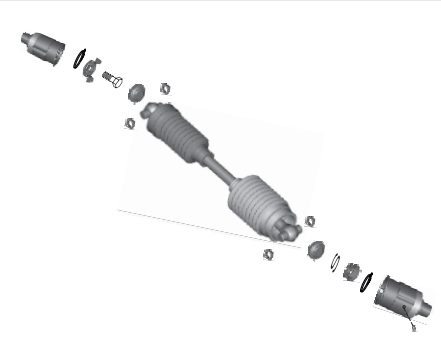
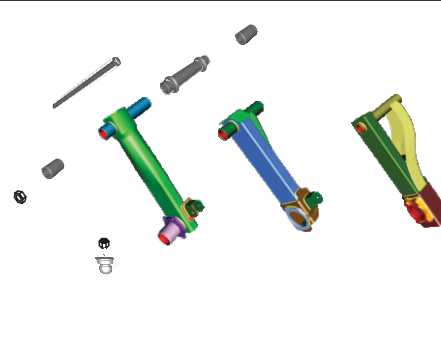
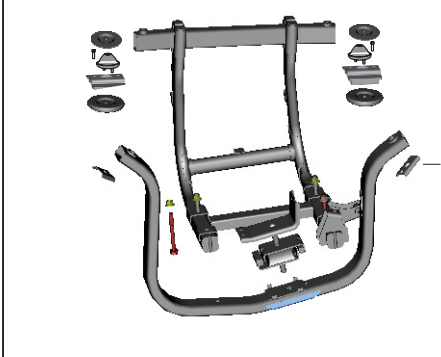
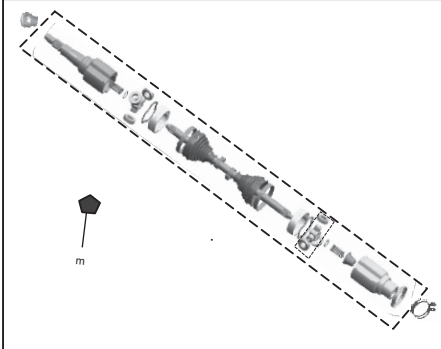
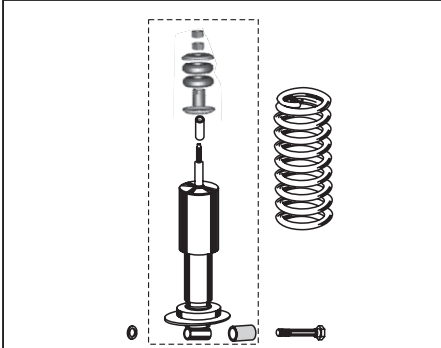
PLATE NO. : 30a ENGINE MOUNTING - OPTIMA	PAGE NO.: 40
	
PLATE NO. : 31 PROPELLER SHAFT / FLANGES	PAGE NO.: 42
	
PLATE NO. : 32 TRAILING ARM	PAGE NO.: 44
	

PLATE NO. : 30b ENGINE MOUNTING - OPTIMA	PAGE NO.: 41
	
PLATE NO. : 31a PROPELLER SHAFT / FLANGES	PAGE NO.: 43
	
PLATE NO. : 33 REAR SHOCK ABSORBER	PAGE NO.: 45
	

Pictorial Index

RE COMPACT,OPTIMA & MAXIMA DIESEL

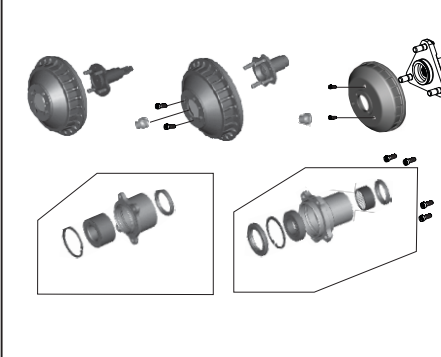
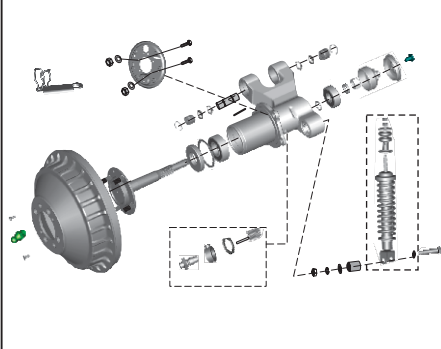
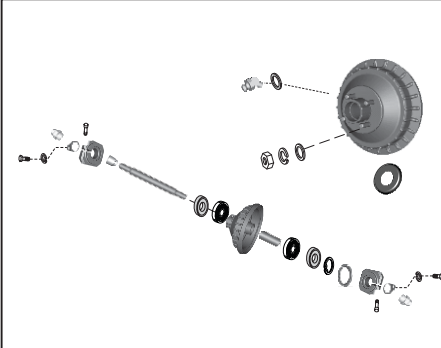
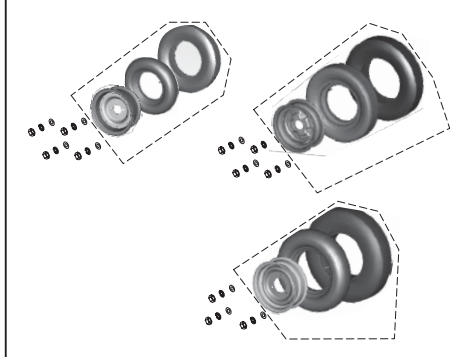
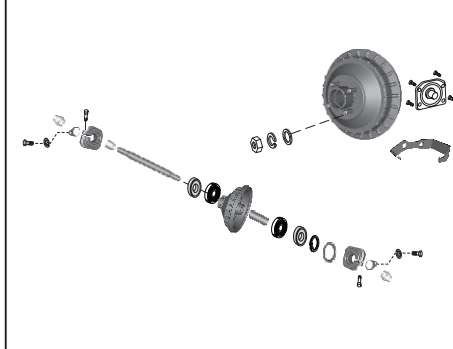
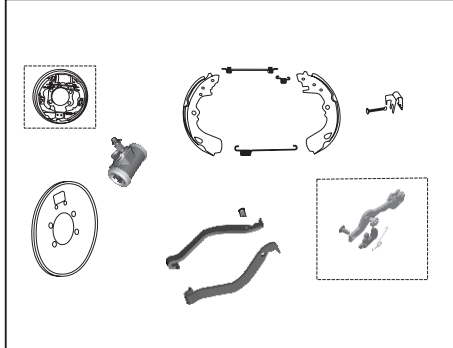
PLATE NO. : 34 REAR HUB & AXLE	PAGE NO.: 46
	
PLATE NO. : 36 FRONT HUB	PAGE NO.: 48,49
	
PLATE NO. : 37a FRONT HUB	PAGE NO.: 51
	

PLATE NO. : 35 REAR WHEEL ASSLY	PAGE NO.: 47
	
PLATE NO. : 37 FRONT BRAKE DRUM	PAGE NO.: 50
	
PLATE NO. : 38 AUTO ADJUSTER BRACK SYSTEM	PAGE NO.: 52,53
	

Pictorial Index

RE COMPACT,OPTIMA & MAXIMA DIESEL

PLATE NO. : 39	PAGE NO.:
AUTO ADJUSTER BRACK SYSTEM	54,55

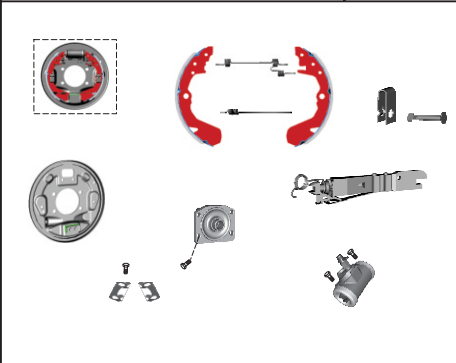


PLATE NO. : 41	PAGE NO.:
FRONT SHOCK ABSORBER	58

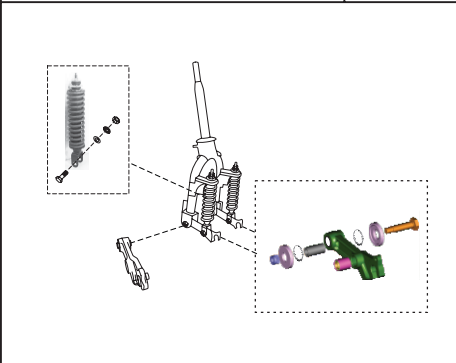


PLATE NO. : 43	PAGE NO.:
BRAKE PIPES	60

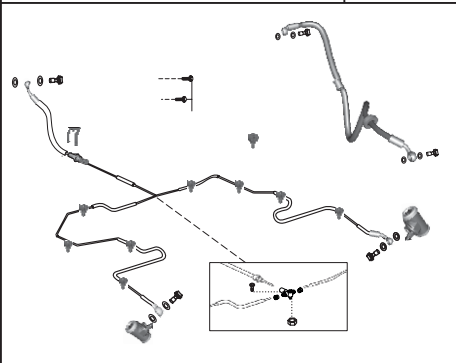


PLATE NO. : 40	PAGE NO.:
STEERING COLUMN & FORK ASSLY	56,57

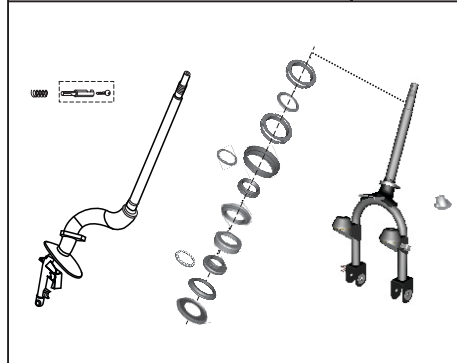


PLATE NO. : 42	PAGE NO.:
FRONT MUDGUARD	59

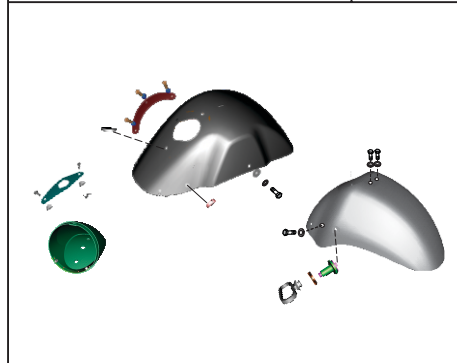
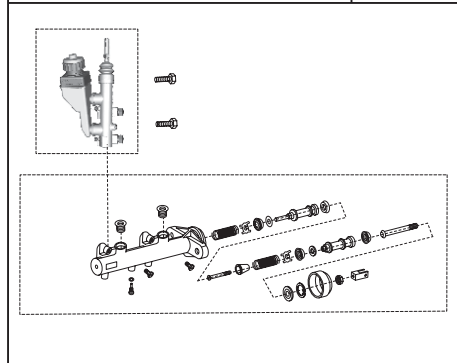


PLATE NO. : 44	PAGE NO.:
TANDEM MASTER CYLINDER	61



Pictorial Index

RE COMPACT,OPTIMA & MAXIMA DIESEL

PLATE NO. :45	PAGE NO.:
BRAKE PEDAL	62

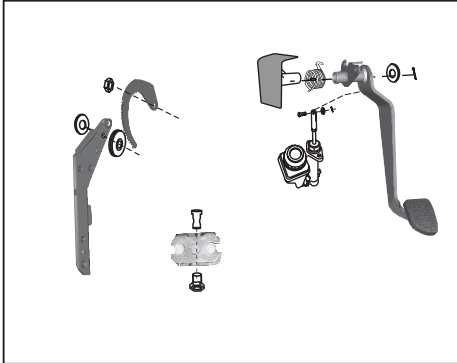


PLATE NO. : 47	PAGE NO.:
HANDLE BAR ASSEMBLY	64

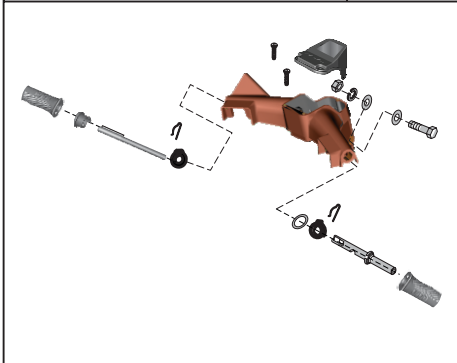


PLATE NO. : 48a	PAGE NO.:
DASHBOARD - OPTIMA	66,67

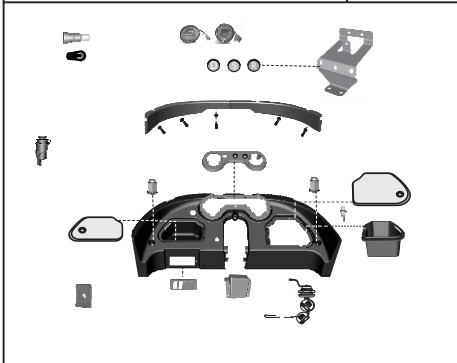


PLATE NO. : 46	PAGE NO.:
CLUTCH PEDAL	63

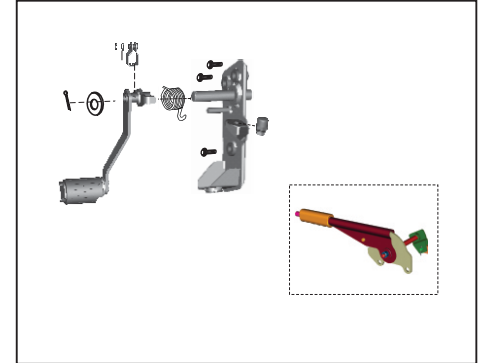


PLATE NO. : 48	PAGE NO.:
DASHBOARD - COMPACT	65

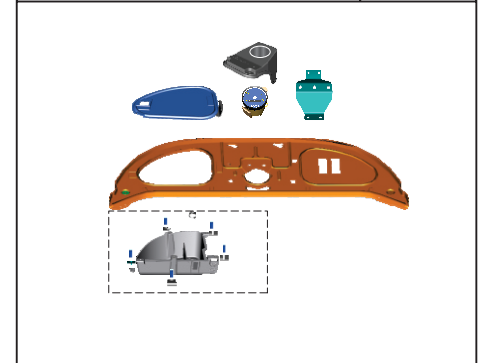
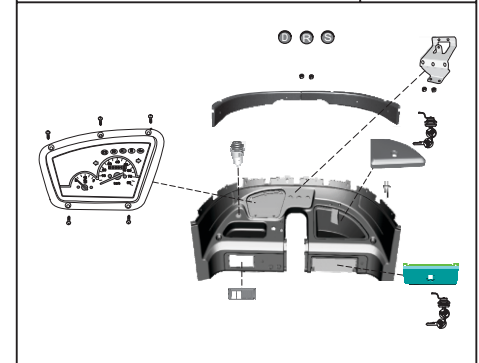


PLATE NO. : 48b	PAGE NO.:
DASHBOARD - MAXIMA	68



Pictorial Index

RE COMPACT,OPTIMA & MAXIMA DIESEL

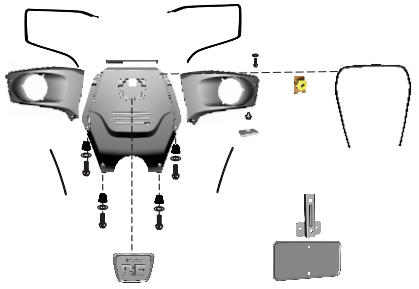

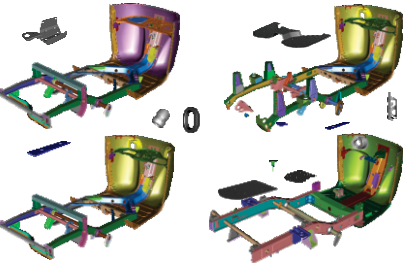

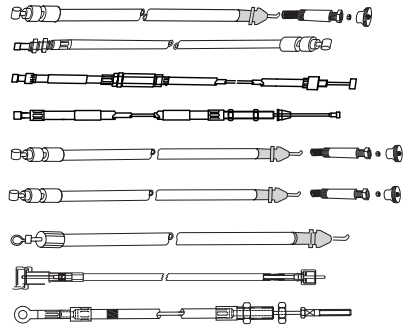
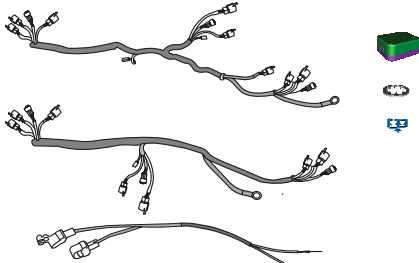
PLATE NO. : 49 STEERING & HEAD LAMP COVER	PAGE NO.: 69
	
PLATE NO. : 50a WINDSHIELD & WIPER MOTOR	PAGE NO.: 71
	
PLATE NO. : 52 CHASSIS	PAGE NO.: 74
	

PLATE NO. : 50 WINDSHIELD & WIPER MOTOR	PAGE NO.: 70
	
PLATE NO. : 51 CONTROL CABLES	PAGE NO.: 72,73
	
PLATE NO. : 53 WIRING HARNESS	PAGE NO.: 75
	

Pictorial Index

RE COMPACT,OPTIMA & MAXIMA DIESEL

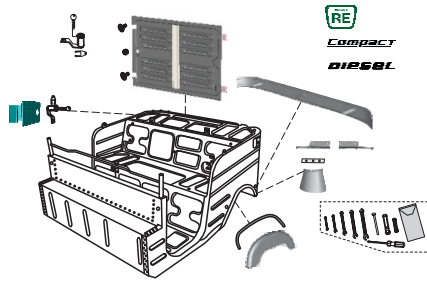
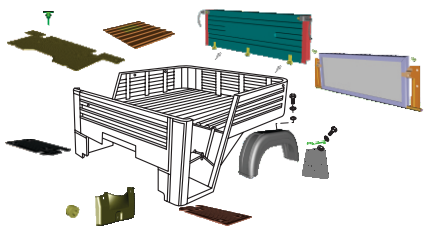
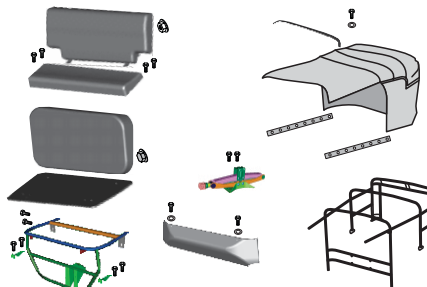
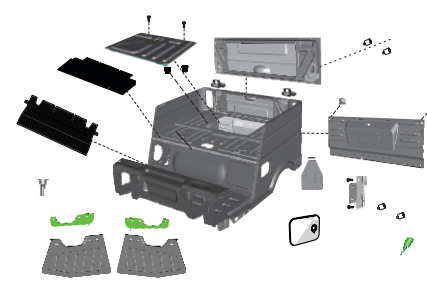
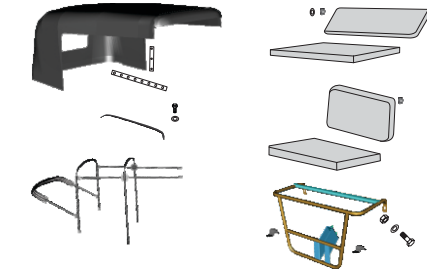
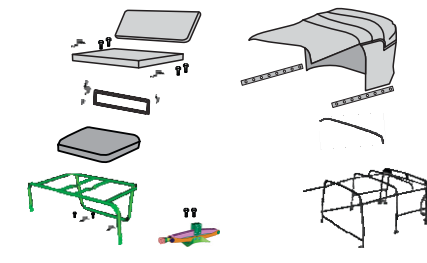
PLATE NO. : 54 BODY- COMPACT	PAGE NO.: 76
	
PLATE NO. : 54b BODY-MAXIMA	PAGE NO.: 78
	
PLATE NO. : 55a SEAT & HOOD FRAME - OPTIMA	PAGE NO.: 80
	

PLATE NO. : 54a BODY- OPTIMA	PAGE NO.: 77
	
PLATE NO. : 55 SEAT & HOOD FRAME - COMPACT	PAGE NO.: 79
	
PLATE NO. : 55b SEAT & HOOD FRAME - MAXIMA	PAGE NO.: 81
	

Pictorial Index

**RE COMPACT,OPTIMA
& MAXIMA DIESEL**

PLATE NO. : 56
BATTERY

PAGE NO.:
82

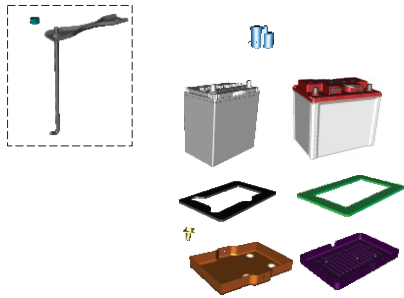


PLATE NO. : 58
INDICATORS

PAGE NO.:
84

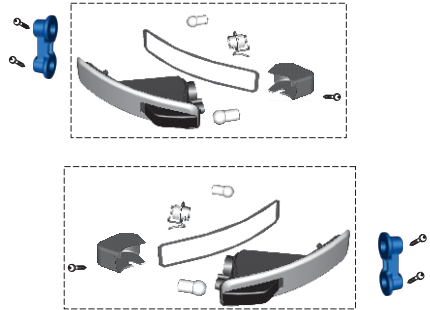


PLATE NO. : 60
ELECTRICAL UNITS

PAGE NO.:
86

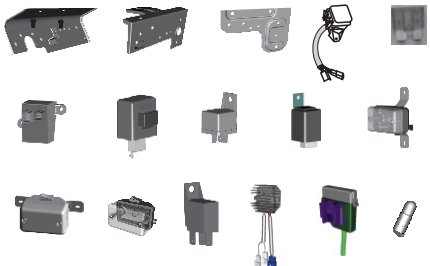


PLATE NO. : 57
HEAD LIGHT

PAGE NO.:
83

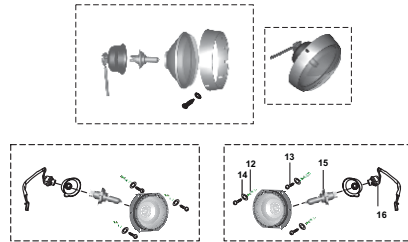


PLATE NO. : 59
TAIL LAMP ASSLY

PAGE NO.:
85

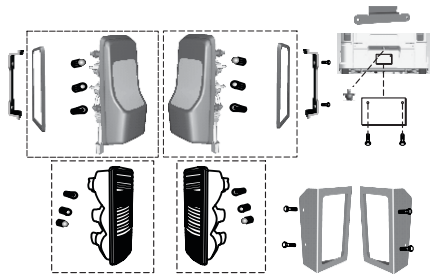


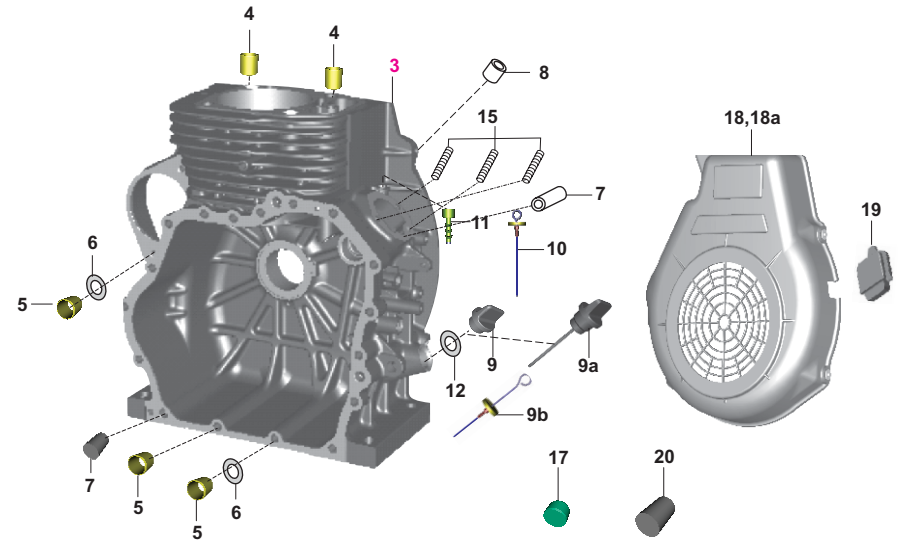
PLATE NO. : 61
SWITCHES

PAGE NO.:
87



Pictorial Index

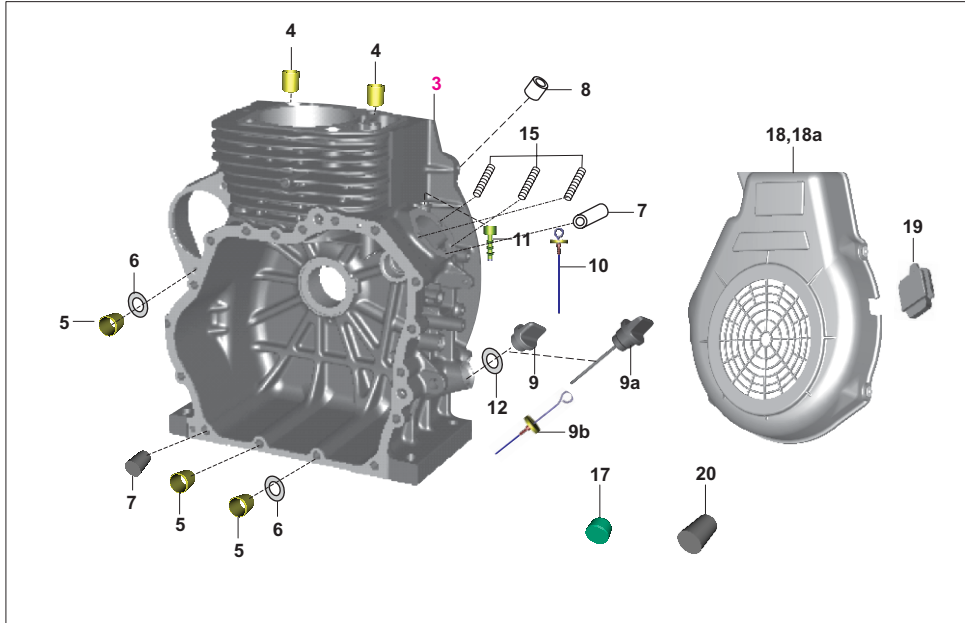
**RE COMPACT,OPTIMA
& MAXIMA DIESEL**



No.	Part No.	Description	BA	BA	BH	BB	Remarks
1	BA 1030 10	Assembly Engine complete.	1	1	--	--	N.I
1a	BH 5010 09	Assembly Engine complete.	--	--	1	--	N.I
1b	BB 1030 05	Assembly Engine complete.	--	--	--	1	N.I
2	BA 1330 00	Assembly trans. - 5 speed	1	1	--	--	N.I
2	BA 1330 50	Assembly trans. - 5 speed-HC	1	1	--	--	N.I
2a	BH 5510 02	Assembly trans. - 5 speed	--	--	1	--	N.I
2a	BH 5510 04	Assembly trans. - 5 speed-HC	--	--	1	--	N.I
2b	BB 1330 00	Assembly trans. - 5 speed	--	--	--	1	N.I
2b	AL 1330 00	Assembly trans. - 5 speed-HC	--	--	--	1	N.I
3	BB 1030 37	Assembly cylinder crankcase	--	--	1	--	
3a	BB 1030 77	Assembly crankcase	1	1	--	1	From 16.11.13
4	BA 1020 06	Dowel pin -head	2	2	2	2	
5	BA 1020 08	Pipe pin	3	3	3	3	
6	39 1013 21	O' ring	2	2	2	2	
7	39 1569 06	Spring dowel sleeve	1	1	1	1	
8	BA 1020 09	Pin Dowel	1	1	1	1	
9	BA 1020 38	Plug oil	1	1	1	1	
9a	BA 1020 80	Plug oil	1	1	--	--	
9b	Bb 1030 08	Gauge oil	--	--	--	1	
10	BG 5010 04	Gauge oil	--	--	1	--	
11	BG 5010 06	Plug	1	1	--	1	
12	39 1562 21	'O' ring	1	1	1	1	

PLATE NO. 1 : ENGINE, CYLINDER CRANKCASE

RE COMPACT,OPTIMA
& MAXIMA DIESEL

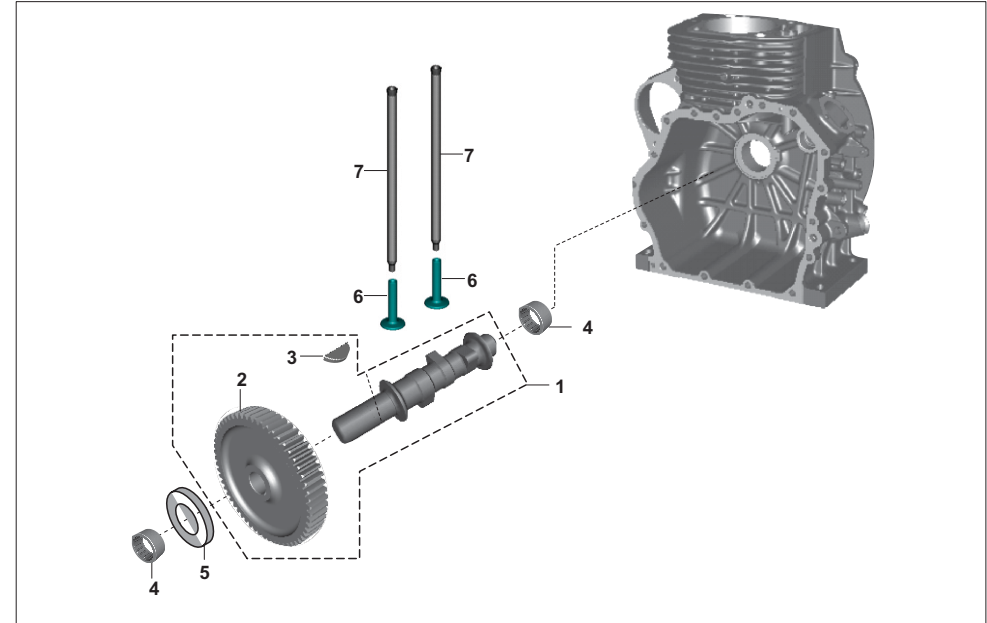


No.	Part No.	Description	BA	BA	BH	BB	Remarks
13	39 1635 05	Stud - M8 stater motor	2	2	2	2	N.I
14	39 2264 05	Stud - M8 (injection pump)	2	2	2	2	N.I
15	BA 1003 00	Stud M6X1	3	3	3	3	
16	36 BB00 07	Kit cylinder piston assly BSIII	1	1	1	1	N.I
17	BA 1020 03	Plug - oil hole	1	1	1	1	
18	BG 5412 00	Case spiral	1	1	1	-	
18a	BB 1011 10	Case spiral	-	-	-	1	NS
19	BG 5412 01	Grommet	1	1	1	1	
20	39 2606 07	Parallel pin	1	1	1	-	
21	BA 1030 00	Assly eng & trans complete	1	1	-	-	
21	BA 1030 40	Assely eng & trans complete -HC	1	1	-	-	
22	BH 5010 07	Assly eng. & trans comp.-5 speed	-	-	1	-	
22	BH 5010 20	Assely eng. & trans.comp.HC	-	-	1	-	
23	BB 1030 00	Assembly comp. Eng & trans	-	-	-	1	
23	BB 1030 90	Assembly comp. Eng & trans	-	-	-	1	
24	36 BB00 42	KIT c'case piston assly	1	1	-	1	
25	36 BB00 43	KIT c'case piston assly	--	--	1	-	

BA - COMPACT
BA - COMPACT THL
BH - OPTIMA
BB - MAXIMA

PLATE NO. 2 : CAM SHAFT ASSEMBLY

RE COMPACT,OPTIMA
& MAXIMA DIESEL

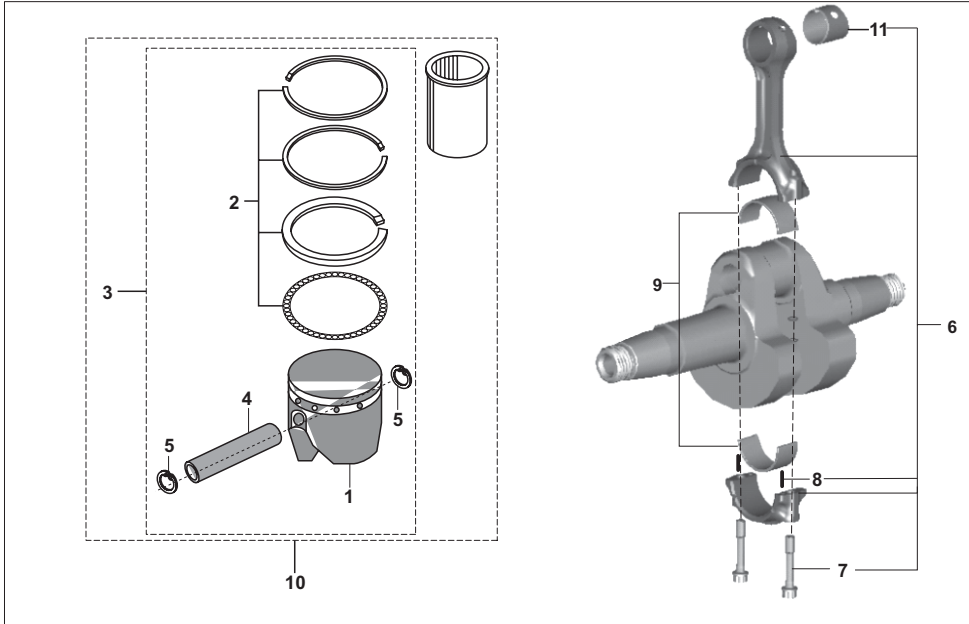


No.	Part No.	Description	BA	BA	BH	BB	Remarks
1	BB 1030 52	Assembly camshaft	1	1	1	1	
2	BA 1020 54	Gear (Cam)	1	1	1	1	
3	BA 1021 29	Woodruff Key	1	1	1	1	
4	39 1436 20	Needle roller bearing	2	2	2	2	
5	BA 1020 55	Shim (Cam Shaft)	1	1	1	1	
6	BA 1020 48	Tappet	2	2	2	2	
7	BA 1022 38	Push rods	2	2	2	2	
7	BB 1010 45	Rod push	2	2	2	2	

BA - COMPACT
BA - COMPACT THL
BH - OPTIMA
BB - MAXIMA

PLATE NO. 3 : PISTON & CONNECTING ROD ASSEMBLY

**RE COMPACT,OPTIMA
& MAXIMA DIESEL**

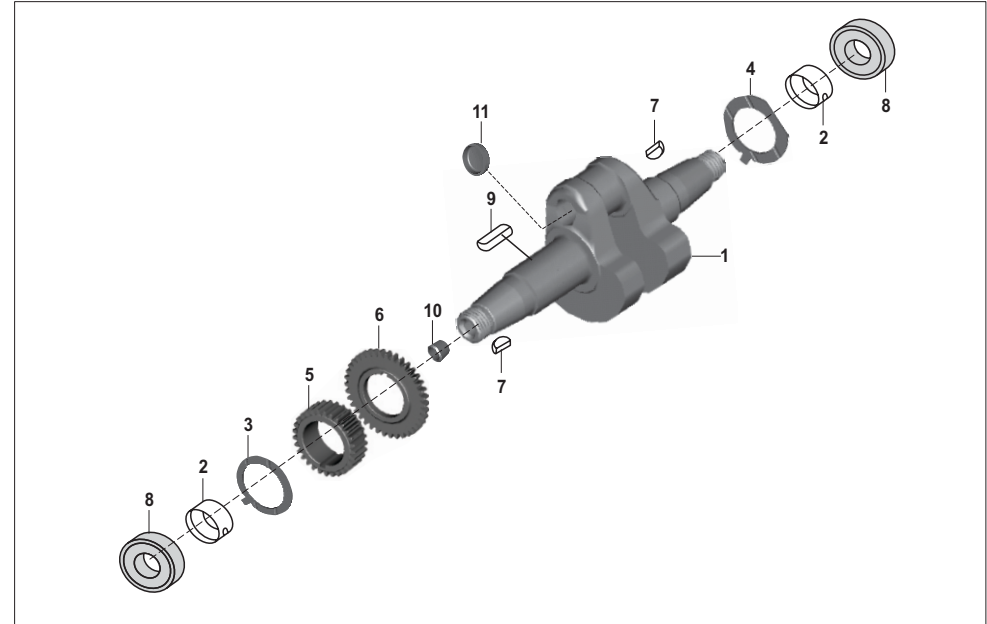


No.	Part No.	Description	BA	<u>BA</u>	BH	BB	Remarks
1	BB 1010 94	Piston standard	1	1	1	1	
2	36 BB00 12	Piston ring set std	1	1	1	1	KIT
3	BB 1010 95	Piston & ring Assembly	1	1	1	1	
4	BA 1020 61	Piston Pin	1	1	1	1	
5	BA 1020 62	Piston Pin Circlip	2	2	2	2	
6	BB 1011 65	Assembly con. Rod with 7,8 & 11	1	1	1	1	include 7,8 & 11
7	BB 1011 68	Bolt connecting rod	2	2	2	2	
8	39 2203 07	pin - parallel	2	2	2	2	
9	BA 1020 64	Bush crank pin	2	2	2	2	
10	36 BB00 06	Cylinder liner piston kit	1	1	1	1	
11	BB 1011 70	Bush (piston pin)	1	1	1	1	

BA - COMPACT
BA - COMPACT THL
BH - OPTIMA
BB - MAXIMA

PLATE NO. 4 : CRANKSHAFT ASSEMBLY

**RE COMPACT,OPTIMA
& MAXIMA DIESEL**

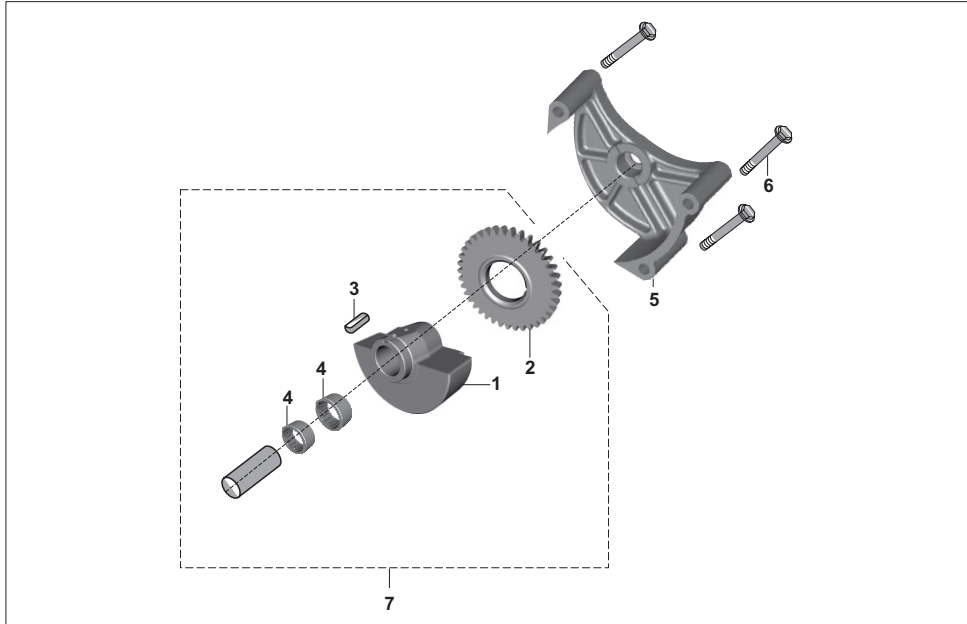


No.	Part No.	Description	BA	<u>BA</u>	BH	BB	Remarks
1	BA 1022 08	Crankshaft with gear assly	1	1	1	1	
1a	BA 1021 75	Metal Crankshaft (Under size)	1	1	1	1	
2	BA 1020 68	Bearing main crank shaft	2	2	2	2	
3	BA 1023 09	Thrust washer (1)	1	1	1	1	
4	BA 1023 04	Thrust washer (2)	1	1	1	1	
5	BA 1020 71	Gear crankshaft	1	1	1	1	
6	BA 1020 72	Gear 1 balancer	1	1	1	1	
7	BA 1020 99	Woodruff key	2	2	2	2	
8	39 1499 19	Oil seal	2	2	2	2	
9	BA 1021 30	Feather Key (Crankshaft Gear)	1	1	1	1	
10	BA 1021 26	Bush crankshaft	1	1	1	1	
11	Ba 1021 18	Cap - sealing crankshaft	1	1	1	1	

BA - COMPACT
BA - COMPACT THL
BH - OPTIMA
BB - MAXIMA

PLATE NO. 5 : WEIGHT BALANCER

RE COMPACT,OPTIMA
& MAXIMA DIESEL

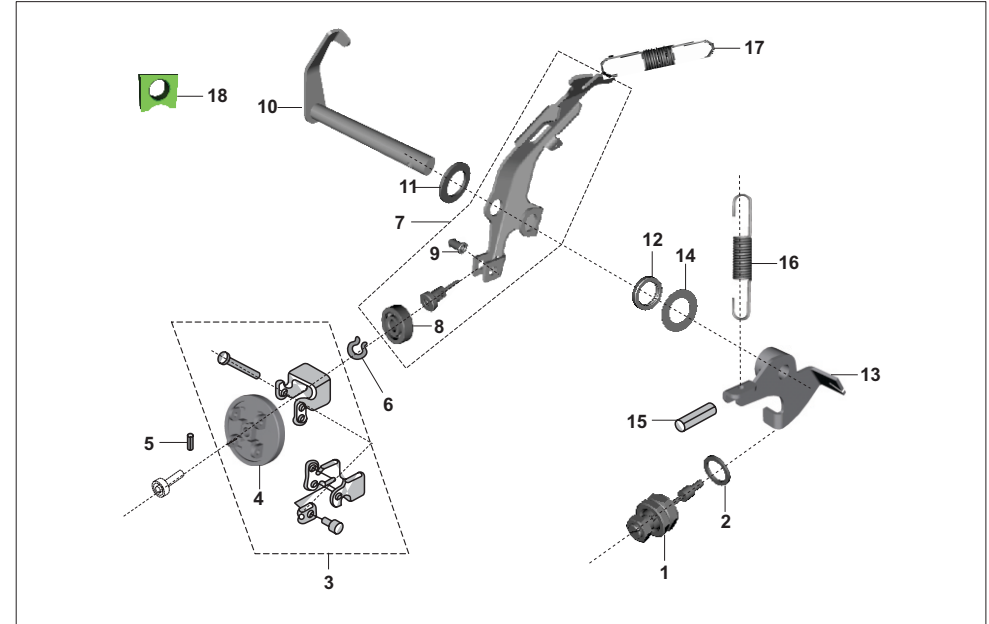


No.	Part No.	Description	BA	BA	BH	BB	Remarks
1	BB 1011 72	Weight Balancer	1	1	1	1	
2	BA 1020 77	Gear (2 Balancer)	1	1	1	1	
3	BA 1020 78	Feather key for Balancer	1	1	1	1	
4	39 1435 20	Needle Roller Bearing	2	2	2	2	
5	BA 1020 76	Case Balancer	1	1	1	1	
6	BA 1022 55	Bolt pre-coated	3	3	3	3	
7	BB 1011 73	Weight complete (balancer)	1	1	1	1	

BA - COMPACT
BA - COMPACT THL
BH - OPTIMA
BB - MAXIMA

PLATE NO. 6 : GOVERNOR

RE COMPACT,OPTIMA
& MAXIMA DIESEL

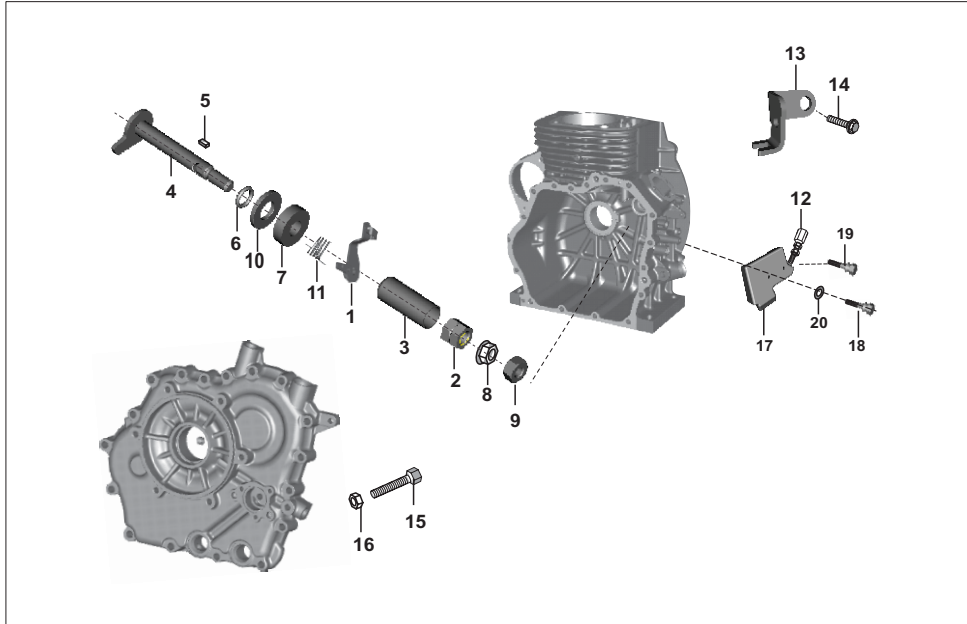


No.	Part No.	Description	BA	BA	BH	BB	Remarks
1	BB 1030 61	Limiter device -assy fuel	--	--	--	1	
1	BB 6114 00	Limiter device -assy fuel	1	1	1	--	
2	BA 1020 87	Packing	1	1	1	1	
3	BA 1220 29	Governor gear complete	1	1	1	1	
4	BA 1220 30	Gear governor	1	1	1	1	
5	39 1570 06	Spring dowel sleeve	1	1	1	1	
6	BA 1220 32	Stopper clip lock	1	1	1	1	
7	BB 1210 80	Lever complete -1 (Governor)	1	1	1	1	
8	39 1430 20	Bearing - ball :- 6 x 19 x 6	1	1	1	1	
9	BA 1220 41	pin - governor shaft	1	1	1	1	
10	BB 1210 82	Lever - 2 (Governor)	1	1	1	1	
11	LD A000 02	Plain washer Small	1	1	1	1	
12	BB 1210 83	Oil seal- shaft governor	1	1	1	1	
13	BB 1210 84	Lever 3 (Governor)	1	1	1	1	
14	BB 1210 85	Shim governor	1	1	1	1	
15	KH CA04 18	pin-spring(ba121044)	1	1	1	1	
16	BA 1220 44	Governor Spring	1	1	1	1	
17	BB 1210 97	Spring tension (Idling)	1	1	1	1	
18	BA 1220 34	Collar - governor weight	2	2	2	2	

BA - COMPACT
BA - COMPACT THL
BH - OPTIMA
BB - MAXIMA

PLATE NO. 7 : SPEED CONTROL LEVERS

RE COMPACT,OPTIMA
& MAXIMA DIESEL

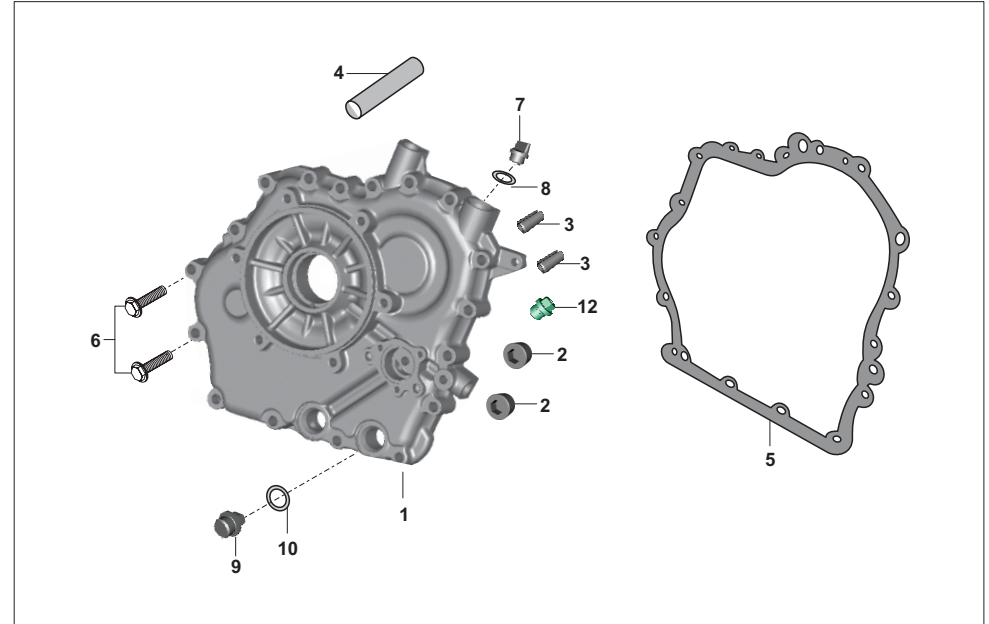


No.	Part No.	Description	BA	<u>BA</u>	BH	BB	Remarks
1	BB 1030 30	Lever assembly control	1	1	1	1	
2	BA 1220 51	Nut lock	1	1	1	1	
3	BA 1220 52	Nut - nyloc :- M5 X 0.8	1	1	1	1	
4	BA 1220 47	Shaft complete (speed limit)	1	1	1	1	
5	BA 1220 48	Feather key	1	1	1	1	
6	39 1561 21	"O" ring	1	1	1	1	
7	BA 1220 49	Disc Friction	1	1	1	1	
8	39 1581 15	Flange nut	1	1	1	1	
9	39 1580 15	Hexagon nut	1	1	1	1	
10	39 1180 11	Plain washer	1	1	1	1	
11	BA 1220 50	Stop spring	1	1	1	1	
12	BB 1011 71	Adjuster with nut	1	1	1	1	
13	BA 1222 16	Release holder	1	1	1	1	
14	39 1680 04	Bolt flanged small	2	2	2	2	
15	39 1547 04	Hexagon bolt	1	1	1	1	
16	39 1579 15	Hexagon nut	1	1	1	1	
17	BB 1030 04	Cover for governor lever	1	1	1	1	
18	BA 1021 86	Screw - lock :- 1 Short	1	1	1	1	
19	BA 1021 87	Screw - lock :- 2 Long	1	1	1	1	
20	39 1573 11	Plain washer	1	1	1	1	

BA - COMPACT
BA - COMPACT THL
BH - OPTIMA
BB - MAXIMA

PLATE NO. 8 : COVER CRANKCASE

RE COMPACT,OPTIMA
& MAXIMA DIESEL

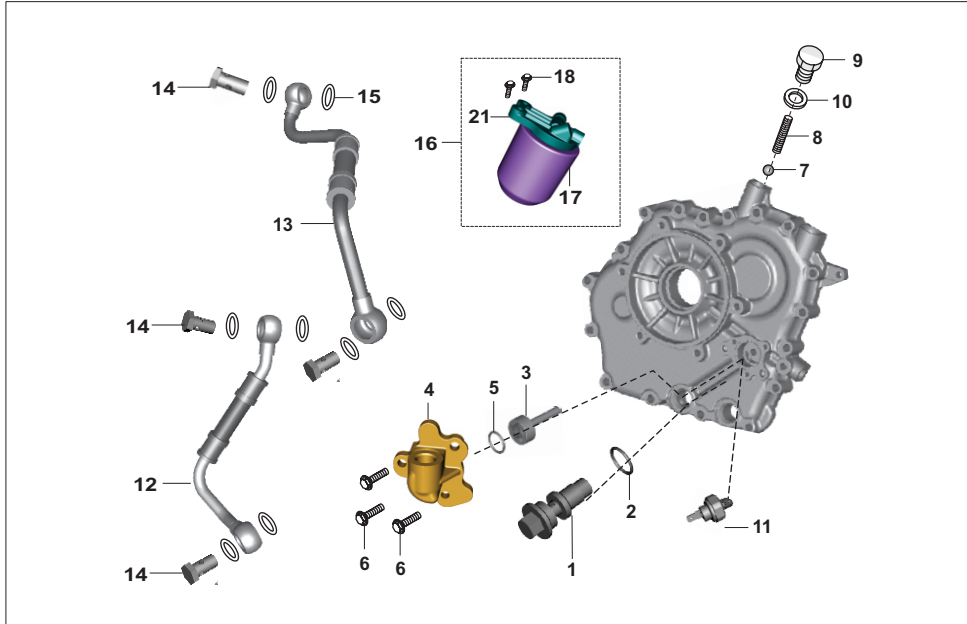


No.	Part No.	Description	BA	<u>BA</u>	BH	BB	Remarks
1	BA 1022 90	Assembly cover C'case	1	1	1	1	
2	BA 1020 04	Plug	2	2	1	1	
3	39 1569 06	Spring dowel sleeve	2	2	2	2	
4	BA 1020 07	Shaft Balancer	1	1	1	1	
5	BA 1020 05	Gasket side cover (0.6 mm)	1	1	1	1	
5a	BA 1021 32	Gasket side cover (0.7 mm)	1	1	1	1	
5b	BA 1021 31	Gasket side cover (0.5 mm)	1	1	1	1	
6	39 1558 04	Flange bolt	17	17	17	17	
7	BA 1020 38	Plug oil filler	1	1	1	1	
8	39 1562 21	"O" ring	1	1	1	1	
9	BB 1030 71	Assembly plug drain	1	1	1	1	
10	39 1564 21	'O' ring	--	--	1	1	
11	59 2100 23	'O' ring	1	1	1	1	NI
12	BB 1030 10	Plug oil gauge	--	--	--	1	

BA - COMPACT
BA - COMPACT THL
BH - OPTIMA
BB - MAXIMA

PLATE NO. 9 : OIL PUMP

RE COMPACT,OPTIMA
& MAXIMA DIESEL

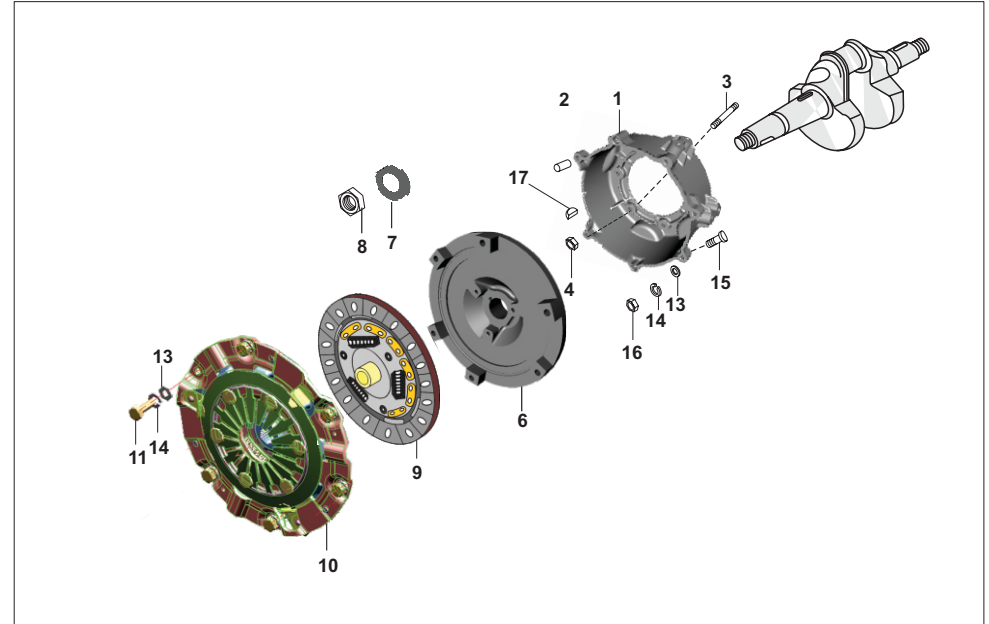


No.	Part No.	Description	BA	BA	BH	BB	Remarks
1	BB 1030 11	Strainer	1	1	1	1	
2	59 2100 23	"O" Ring	1	1	1	1	
3	BA 1222 05	Rotor assembly (Oil pump)	1	1	1	1	
4	BA 1222 04	Oil pump cover	1	1	1	1	
5	39 1497 21	"O" Ring	1	1	1	1	
6	39 1197 04	Bolt hexagon socket head	3	3	3	3	
7	BA 1021 27	Ball	1	1	1	1	
8	BA 1022 93	Spring	1	1	1	1	
9	BA 1020 84	Plug	1	1	1	1	
10	39 1445 25	Sealing ring	1	1	1	1	
11	BA 2010 82	Oil Pressure switch	1	1	1	1	
12	BB 1030 06	Oil tube (Small)	1	1	1	1	C' case cover to filter
13	BB 1030 07	Oil tube (Big)	1	1	1	1	Filter to cover c' case
14	BA 1410 17	Banjo bolt	3	3	3	3	
14a	BB 1222 22	Banjo bolt mh 14	1	1	1	1	
15	BA 1221 43	Copper washer	7	7	7	7	
15a	BB 1222 23	Copper washer	1	1	1	1	
16	BA 1222 09	Assly oil filter	1	1	1	1	
17	BA 1021 13	Filter oil cartridge	1	1	1	1	
18	59 0400 48	Hex head bolt- filter	2	2	2	2	
19	39 1686 06	Hollow Dowel Pin	2	2	2	2	
20	39 1802 04	Hex soc head cap bolt	3	3	3	3	NI
21	BA 1222 10	Cover oil filter	1	1	1	1	

BA - COMPACT
BA - COMPACT THL
BH - OPTIMA
BB - MAXIMA

PLATE NO. 10 : CLUTCH

RE COMPACT,OPTIMA
& MAXIMA DIESEL

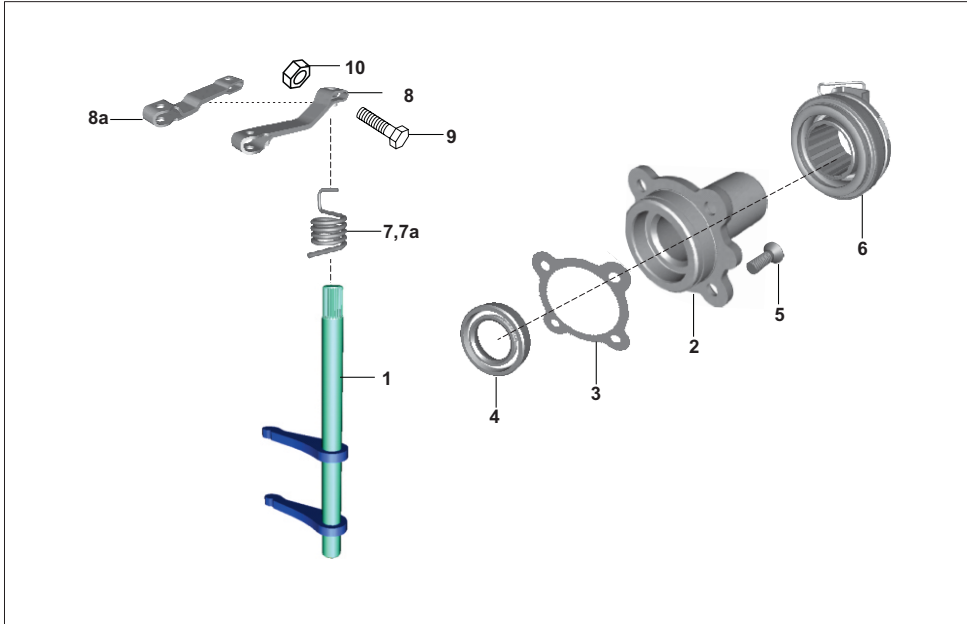


No.	Part No.	Description	BA	BA	BH	BB	Remarks
1	BB 1320 03	Clutch housing	1	1	1	1	
2	BA 1321 22	Dowel - hollow	2	2	2	2	
3	39 1423 05	Stud	6	6	6	6	
4	LC G000 10	nut flange	6	6	6	6	
5	39 0694 15	Nut	7	7	7	7	
6	BA 1320 94	Flywheel	1	1	1	1	
7	BA 1322 72	Lock washer	1	1	1	1	
8	BA 1321 04	Nut (M 27 x 1.5)	1	1	1	1	
9	BA 1330 22	Clutch disc assembly	1	1	1	1	
9	BA 1330 40	Clutch disc assembly HC	1	1	1	1	
10	BA 1330 23	Cover assy.-cl pressure plate	1	1	1	1	
11	BA 1330 39	Cover assy.-cl pressure plate HC	1	1	1	1	
11	39 0435 01	Screw	4	4	4	4	
12	BA 1320 95	Bolt special	2	2	2	2	
13	39 1582 11	Plain washer	11	11	11	11	
14	39 1828 12	Spring washer	11	11	11	11	
15	39 1431 04	"D" Bolt	5	5	5	5	
16	39 1970 15	Hex lock nut	5	5	5	5	
17	BA 1020 99	Key woodruff	1	1	1	1	
18	KA DD08 40	Bolt flanged	3	3	3	3	

BA - COMPACT
BA - COMPACT THL
BH - OPTIMA
BB - MAXIMA

PLATE NO. 11 : CLUTCH SHAFT ASSEMBLY

RE COMPACT,OPTIMA
& MAXIMA DIESEL

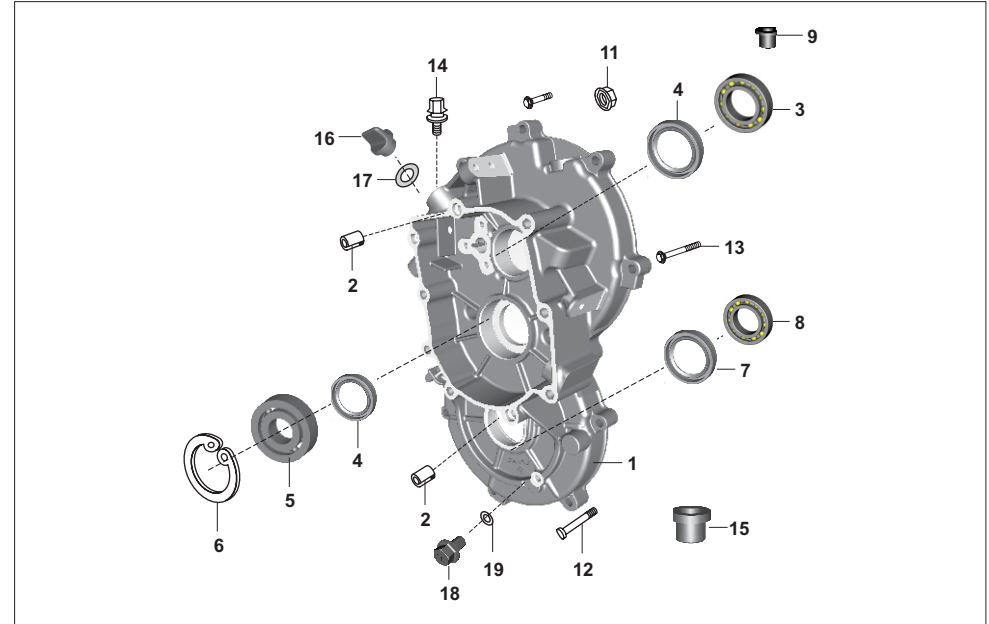


No.	Part No.	Description	BA	BA	BH	BB	Remarks
1	BB 1311 36	Assly clutch shaft	1	1	–	1	
1	BH 5514 00	Assly clutch shaft	--	--	1	–	
2	BA 1322 44	Sleeve retainer	1	1	1	1	
3	BA 1322 46	Gasket sleeve retainer	1	1	1	1	
4	39 1535 19	Oil Seal	1	1	1	1	
5	BA 1321 85	Screw pre coated	4	4	4	4	ALT-39075201
6	BA 1322 11	Clutch release bearing	1	1	1	1	
7	BB 1311 38	Spring clutch lever	1	1	--	1	
7	BH 5514 02	Spring clutch lever	--	--	1	--	
8	BA 1320 17	Clutch lever	1	1	--	1	
8	BH 5514 03	Clutch lever	--	--	1	--	
9	39 0802 04	Square bolt	1	1	1	1	
10	39 1970 15	Nut hex small	1	1	1	1	

BA - COMPACT
BA - COMPACT THL
BH - OPTIMA
BB - MAXIMA

PLATE NO. 12 : MAIN HOUSING

RE COMPACT,OPTIMA
& MAXIMA DIESEL

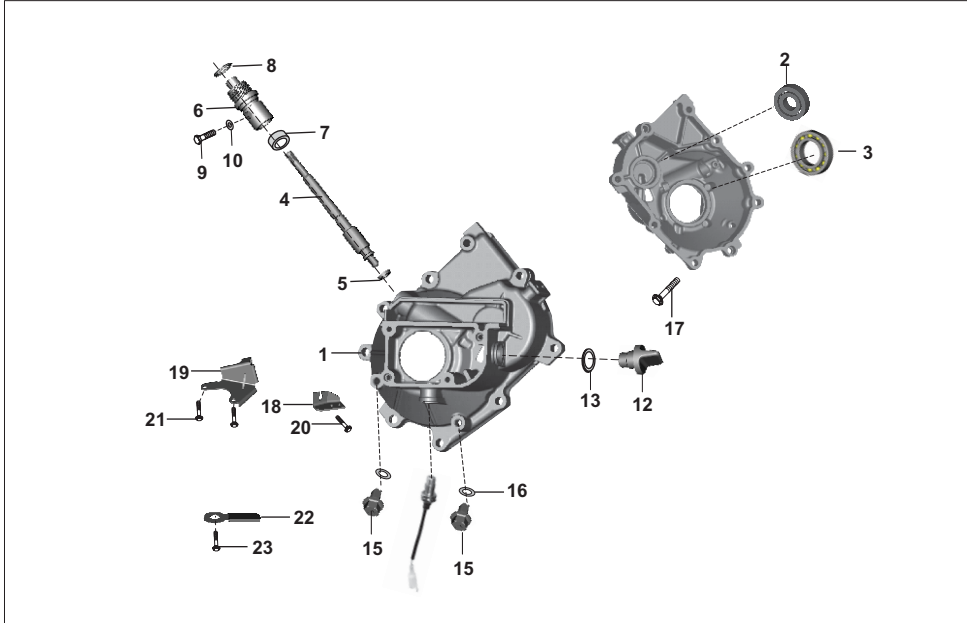


No.	Part No.	Description	BA	BA	BH	BB	Remarks
1	BA 1330 16	Main housing	1	1	–	--	
1	BH 5520 05	Main housing	--	--	1	--	
1	Bb 1330 25	Main housing	--	--	--	1	
2	BA 1321 22	Hallow dowel	2	2	2	2	
3	15 1010 11	Ball bearing (clutch shaft)	1	1	1	1	
4	39 1534 19	Oil seal	1	1	1	1	
5	39 1324 20	Ball bearing (main shaft)	1	1	1	1	
6	BA 1321 34	Circlip	1	1	1	1	
7	BF 5516 13	Oil Seal	1	1	1	1	
8	KP BB60 07	Ball bearing (differential)	1	1	1	1	
9	BA 1320 12	Bush top	1	1	1	1	
10	39 1423 05	Stud	4	4	4	4	
11	39 1970 15	Flange nut	5	5	5	5	
12	39 1431 04	D bolt	3	3	3	3	
13	39 1394 04	Bolt - flanged	2	2	2	2	
14	BA 1321 79	Breather assembly	1	1	1	1	
15	BB 1311 66	Bush bottom	1	1	1	1	
16	BA 1020 38	Oil plug	1	1	1	1	
17	39 1562 21	O ring	1	1	1	1	
18	AL 1310 74	Oil plug	1	1	1	1	
19	39 1585 11	Plain washer	1	1	1	1	

BA - COMPACT
BA - COMPACT THL
BH - OPTIMA
BB - MAXIMA

PLATE NO. 13 : GEAR BOX COVER

RE COMPACT,OPTIMA
& MAXIMA DIESEL

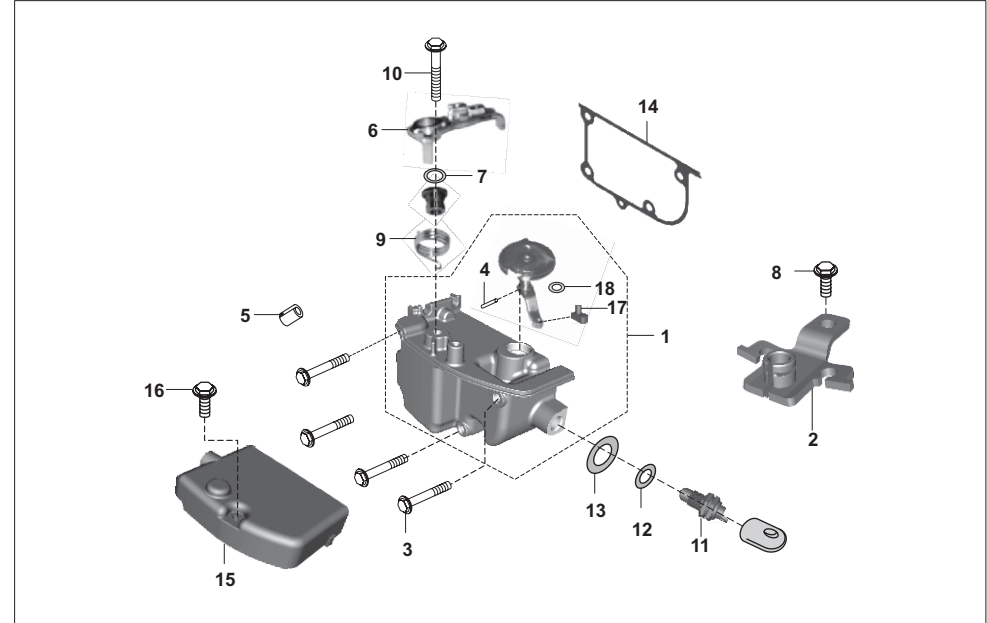


No.	Part No.	Description	BA	BA	BH	BB	Remarks
1	BB 1330 22	Gear box cover	1	1	1	1	
2	30 1510 65	Ball bearing	1	1	1	1	
3	39 1487 20	Ball bearing	1	1	1	1	
4	BG 5526 00	Drive shaft fare meter(13 teeth)	1	1	1	1	
4	AL 1310 07	Drive shaft fare meter(15 teeth)	--	--	1	1	fr.10.2.14 to 7.6.14
5	BA 1320 64	Washer	1	1	1	1	
6	BB 1330 82	Bush	1	1	1	1	
7	39 1498 19	Oil seal	1	1	1	1	
8	39 1587 21	"O" ring	1	1	1	1	
9	LA E000 17	Bolt	1	1	1	1	
10	39 0198 11	Plain washer	1	1	1	1	
11	BH 4014 00	Switch -reverse(1 pole coup n)	1	1	1	1	
12	AN 1310 07	Cap - oil filling	1	1	1	1	
13	03 1502 07	"O" ring	1	1	--	--	
13	39 1537 21	O ring	--	--	1	1	
14	KA DD06 70	Bolt - flange	4	4	4	4	
15	AL 1310 74	Plug - oil	2	2	2	2	
16	39 1585 11	Plain washer	2	2	2	2	
17	59 0400 48	Bolt flange M8x1.25	7	7	7	7	
18	BA 1321 21	Bracket clutch cable	1	1	--	1	
19	BH 5514 04	Bracket clutch cable	--	--	1	--	
20	39 1943 04	Bolt - flange cl cable bkt	2	2	2	2	
21	KA DE08 50	Bolt flanged	2	2	2	2	
22	BA 2010 07	Clamp	1	1	1	1	
23	KA DE08 35	Bolt flanged	1	1	1	1	

BA - COMPACT
BA - COMPACT THL
BH - OPTIMA
BB - MAXIMA

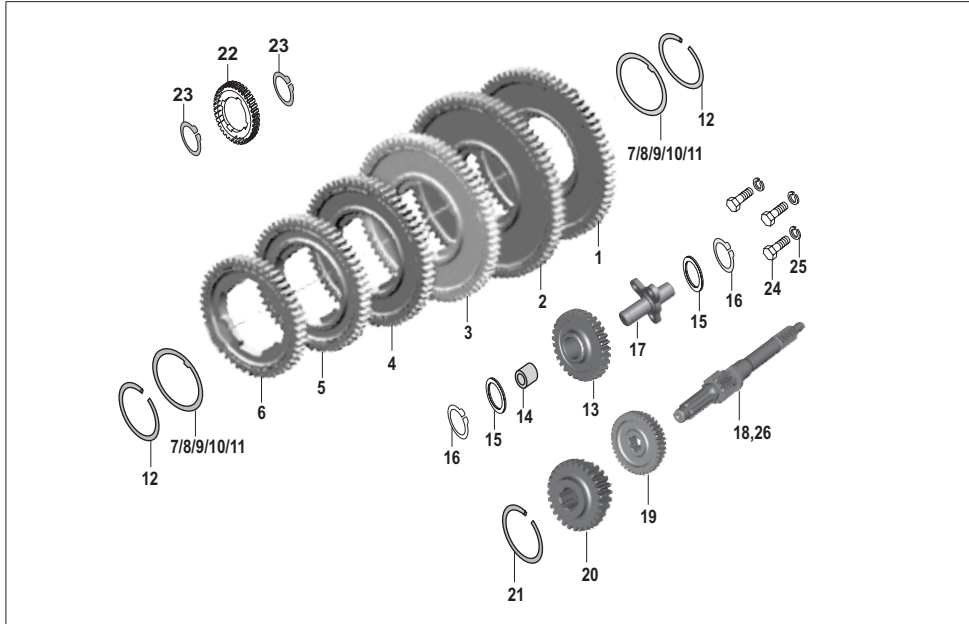
PLATE NO. 14 : GEAR SHIFTER ASSEMBLY

RE COMPACT,OPTIMA
& MAXIMA DIESEL



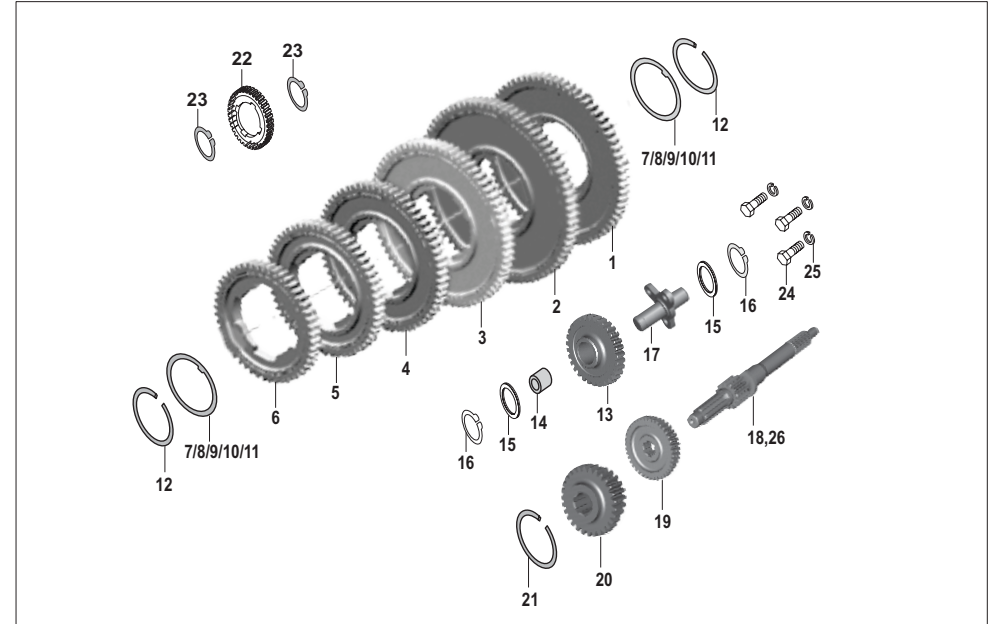
No.	Part No.	Description	BA	BA	BH	BB	Remarks
1	BB 1330 28	Gear shifter assly	1	1	1	1	
1	Bb 1331 15	Gear Shifter Assly HC	1	1	1	1	
2	BB 1330 54	Bracket rev. Cable	1	1	1	1	
2	BB 1331 14	Bracket Rev. Cable -HC	1	1	1	1	
3	KA DD06 70	Bolt flanged gear shifter	4	4	4	4	
4	39 0426 06	Spring type strt pin	1	1	1	1	
5	39 0992 06	Dowel	1	1	1	1	
6	BB 1330 49	Lever reverse lock	1	1	1	1	
7	39 1046 19	Seal - Oil	1	1	1	1	
8	KA Dd06 14	Bolt flanged	1	1	1	1	
9	BB 1330 51	Spring	1	1	1	1	
10	KA DD06 25	Bolt flanged	1	1	1	1	
11	AP 1110 23	Neutral switch	1	1	1	1	
12	39 0804 11	Washer - plain	1	1	1	1	
13	20 1010 20	Gasket (material :- aluminium)	1	1	1	1	
14	BB 1330 42	Gasket Shifter Cover	1	1	1	1	
15	BB 1330 41	Gear Shifter Cover	1	1	1	1	
16	KA DD05 16	Bolt-flange- gear shifter cover	1	1	1	1	
17	BA 1321 41	Slider Block	--	--	1	1	
18	KD BE06 13	Washer plain lever sector	1	1	1	1	
19	BB 1330 50	Spacer	1	1	1	1	

BA - COMPACT
BA - COMPACT THL
BH - OPTIMA
BB - MAXIMA



No.	Part No.	Description	BA	<u>BA</u>	BH	BB	Remarks
1	BB 1330 13	Reverse gear (Main shaft)	1	1	1	1	
2	BB 1330 14	Speed gear 1	1	1	1	1	
3	BB 1330 15	Speed gear 2	1	1	1	1	
4	BB 1330 16	Speed gear 3	1	1	1	1	
5	BB 1330 17	Speed gear 4	1	1	1	1	
6	BB 1330 18	Speed gear 5	1	1	1	1	
7	19 1010 16	Shoulder ring1	1	1	1	1	
7a	BB 1330 93	Shoulder ring	1	1	1	1	
8	19 1010 17	Shoulder ring No. 2	2	2	2	2	
9	19 1010 18	Shoulder ring No. 3	2	2	2	2	
10	19 1010 19	Shoulder ring No. 4	2	2	2	2	
11	19 1010 20	Shoulder ring No. 5	2	2	2	2	
12	BA 1320 88	Circlip	2	2	2	2	
13	BB 1330 26	R.C. gear assly	1	1	1	1	
14	BA 1321 16	Bushing	1	1	1	1	
15	39 1874 11	Plain Washer	2	2	2	2	
16	39 0738 17	Circlip	2	2	2	2	
17	AL 1310 81	Shaft for R.C. gear	1	1	1	1	
18	BB 1330 03	Multiple Gear Shaft	1	1	1	1	
19	BB 1330 05	Multiple Gear1	1	1	1	1	

BA - COMPACT
BA - COMPACT THL
BH - OPTIMA
BB - MAXIMA

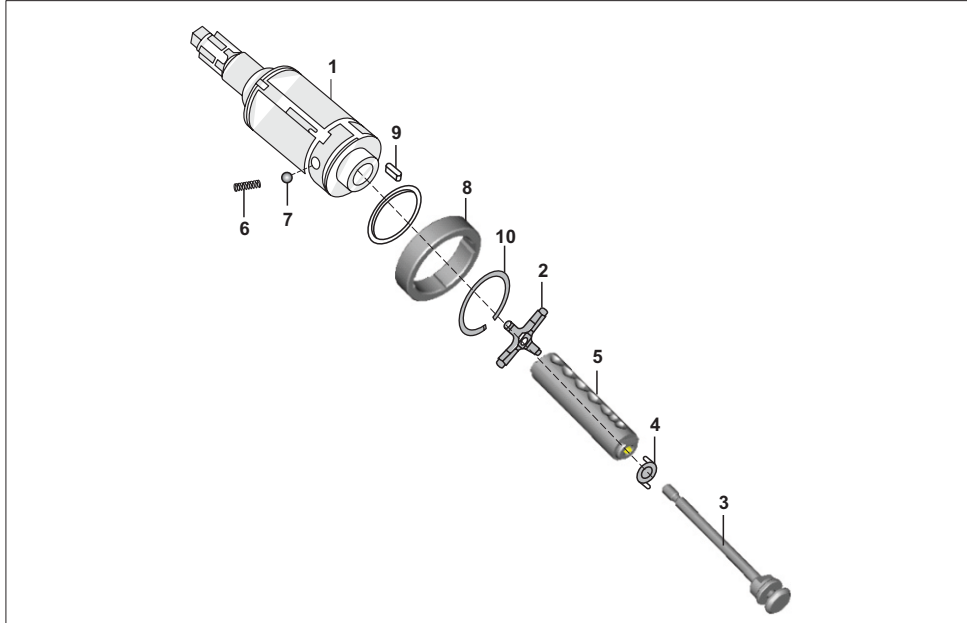


No.	Part No.	Description	BA	<u>BA</u>	BH	BB	Remarks
20	BB 1330 06	Multiple gear2	1	1	1	1	
21	39 1572 17	Circlip -external	1	1	1	1	
22	BA 1330 33	Pinion differential	a1	1	-	-	
22a	BH 5516 18	Pinion differential	--	--	1	-	
22b	Bb 1330 98	Pinion differential	--	-	-	1	
23	KE AB24 12	Circlip external	2	2	2	2	
24	39 1958 04	Bolt Flange M6	3	3	3	3	
25	39 1826 12	Washer spring	3	3	3	3	
26	BB 1330 04	Shaft multiple gear	1	1	1	1	

BA - COMPACT
BA - COMPACT THL
BH - OPTIMA
BB - MAXIMA

PLATE NO. 16 : MAIN SHAFT ASSEMBLY

RE COMPACT,OPTIMA
& MAXIMA DIESEL

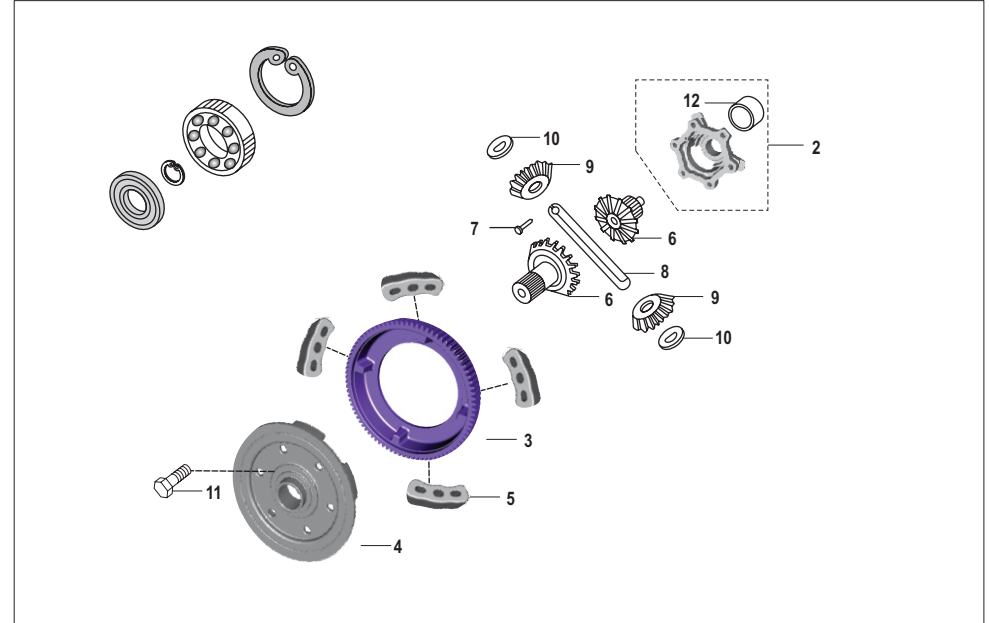


No.	Part No.	Description	BA	BA	BH	BB	Remarks
1	BB 1330 10	Main shaft	1	1	1	1	from 01.03.2011
2	BB 1330 84	Cross	1	1	1	1	BA 1321 88
3	BB 1330 68	Stem gear selector	1	1	1	1	
4	BA 1320 45	Tab washer (lock plate)	1	1	1	1	
5	BB 1330 85	Gear selector foot clutch	1	1	1	1	
5	BB 1331 32	Gear selector Hand clutch	1	1	1	1	
6	BG 5510 11	Spring foot clutch	2	2	2	2	
6	BB 1331 30	Spring Hand clutch	2	2	2	2	
7	01 1801 23	Steel ball	2	2	2	2	
8	BB 1330 62	Drive gear fare meter	1	1	1	1	
9	BB 1330 44	Key	1	1	1	1	
10	BA 1320 88	Circlip external	1	1	1	1	
10	21 1007 11	Circlip external	1	1	1	1	
11	BB 1330 61	Assembly shaft main	1	1	1	1	
11	BA 1330 35	Assly shaft main	1	1	-	-	fr 10.2.2014
11	Bb 1331 31	Assembly shaft main HC	1	1	1	1	

BA - COMPACT
BA - COMPACT THL
BH - OPTIMA
BB - MAXIMA

PLATE NO. 17 : DIFFERENTIAL GEAR ASSEMBLY

RE COMPACT,OPTIMA
& MAXIMA DIESEL

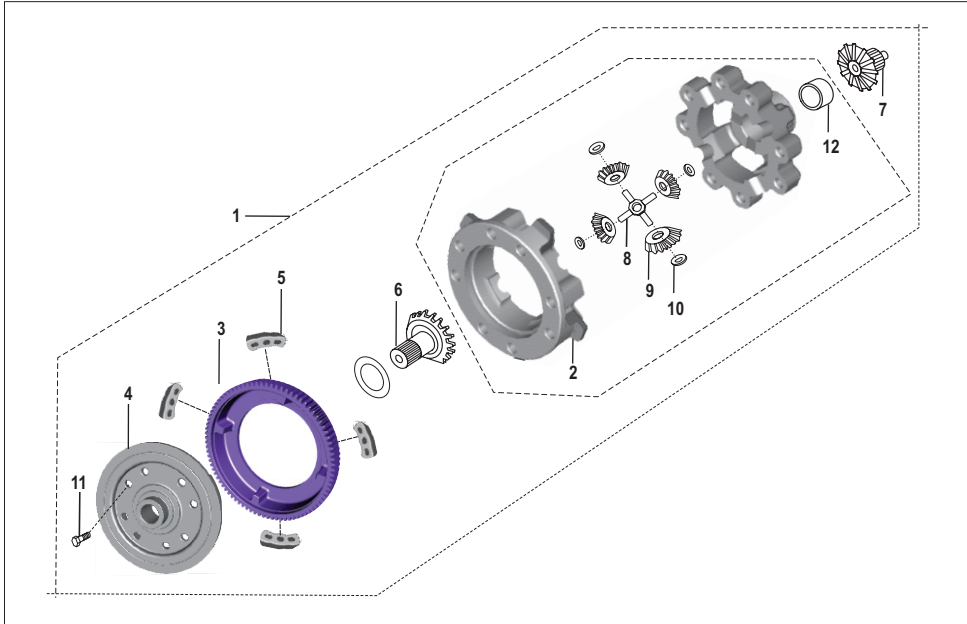


No.	Part No.	Description	BA	BA	BH	BB	Remarks
1	BA 1330 32	Assembly differential damper	1	1	-	-	
2	BG 5516 13	Housing satellite-for damper	1	1	-	-	
3	BA 1330 31	Differential gear damper	1	1	-	-	
4	BG 5516 18	Differential hub	1	1	-	-	
5	BG 5516 15	Damper integrated	4	4	-	-	
6	AL 1310 59	Gear bevel	2	2	-	-	
7	BG 5516 14	Pin	1	1	-	-	
8	24 1310 32	Pin -bevel gear	1	1	-	-	
9	AL 1310 58	Satellite gear	4	4	-	-	
10	22 1310 14	Spacer	4	4	-	-	
11	BA 1322 01	Flange bolt	6	6	-	-	
12	24 1301 11	Bush -bevel gear housing	1	1	-	-	

BA - COMPACT
BA - COMPACT THL
BH - OPTIMA
BB - MAXIMA

PLATE NO. 17a : DIFFERENTIAL GEAR ASSEMBLY

RE COMPACT,OPTIMA
& MAXIMA DIESEL

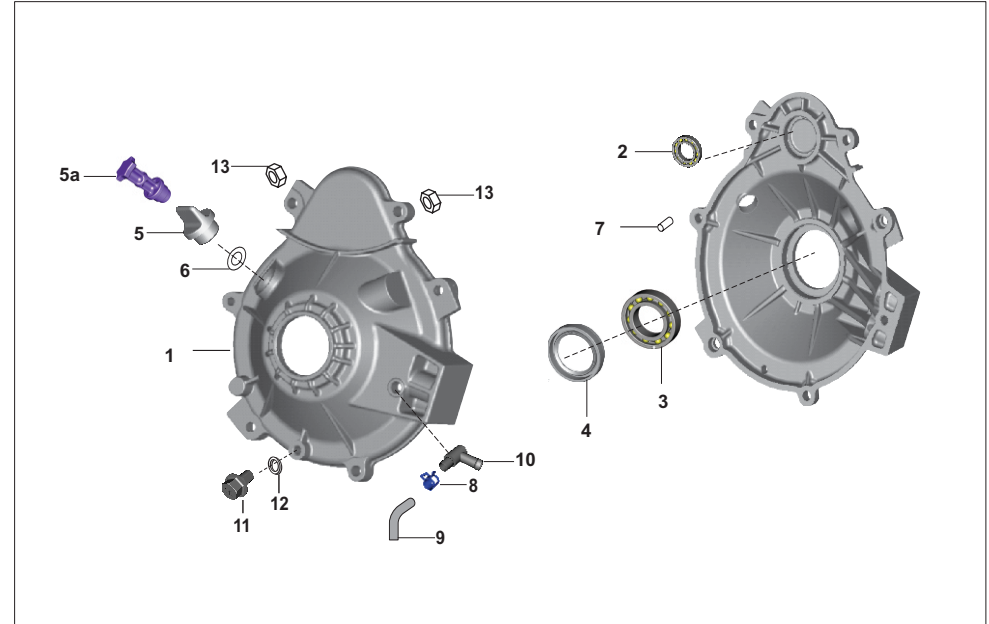


No.	Part No.	Description	BA	BA	BH	BB	Remarks
1	BH 5516 17	Assembly differential damper	-	--	1	-	
1a	BB 1330 97	Assembly differential damper	-	-	-	1	
2	BB 1330 52	Housing satellite-for damper	--	--	1	1	
3	BH 5516 14	Differential gear damper	-	--	1	-	
3a	BB 1330 99	Differential gear damper	-	-	-	1	
4	BB 1330 55	Differential hub	--	--	1	1	
5	BG 5516 15	Damper integrated	-	--	4	4	
6	BH 5516 16	Sun Gear RH	-	--	1	1	from 27.08.2013
6a	BH 5516 10	Sun Gear RH	-	--	1	1	upto 26.08.2013
7	BH 5516 15	Sun Gear LH	-	--	1	1	from 27.08.2013
7a	BH 5516 09	Sun Gear LH	-	--	1	1	upto 26.08.2013
8	AL 1310 55	Cross-differential	-	--	1	1	
9	AL 1310 58	Satellite gear	-	--	4	4	
10	22 1310 14	Spacer	-	--	4	4	
11	AL 1311 27	Flange bolt	-	-	8	8	

BA - COMPACT
BA - COMPACT THL
BH - OPTIMA
BB - MAXIMA

PLATE NO. 18 : DIFFERENTIAL COVER ASSEMBLY

RE COMPACT,OPTIMA
& MAXIMA DIESEL



No.	Part No.	Description	BA	BA	BH	BB	Remarks
1	BA 1330 18	Cover differential	1	1	-	-	
1a	BB 1320 09	Cover differential	--	--	1	1	
2	30 1510 65	Ball bearing	1	1	1	1	
3	KP BB60 07	Ball bearing (Sealed)	1	1	1	1	
4	BF 5516 13	Seal - Oil - 50 X 10	2	2	2	2	
5	BA 1020 38	Oil plug	1	1	1	1	
5a	AL 1310 76	Plug - oil differential	--	--	1	1	
6	39 1562 21	'O' ring	1	1	1	1	
7	BA 1321 22	Hollow dowel	2	2	2	2	
8	BA 1021 47	Clip - pipe	1	1	1	1	
8a	AP 1210 74	Clip - pipe	1	1	1	1	
9	BA 1021 46	Tube breather	1	1	1	1	
10	BA 1022 07	Breather pipe joint	1	1	1	1	
12	39 1585 11	Plain washer	1	1	1	1	
13	39 1970 15	Nut - hexagon with flange M8	2	2	2	2	

BA - COMPACT
BA - COMPACT THL
BH - OPTIMA
BB - MAXIMA

PLATE NO. 19 : CYLINDER HEAD

RE COMPACT,OPTIMA
& MAXIMA DIESEL

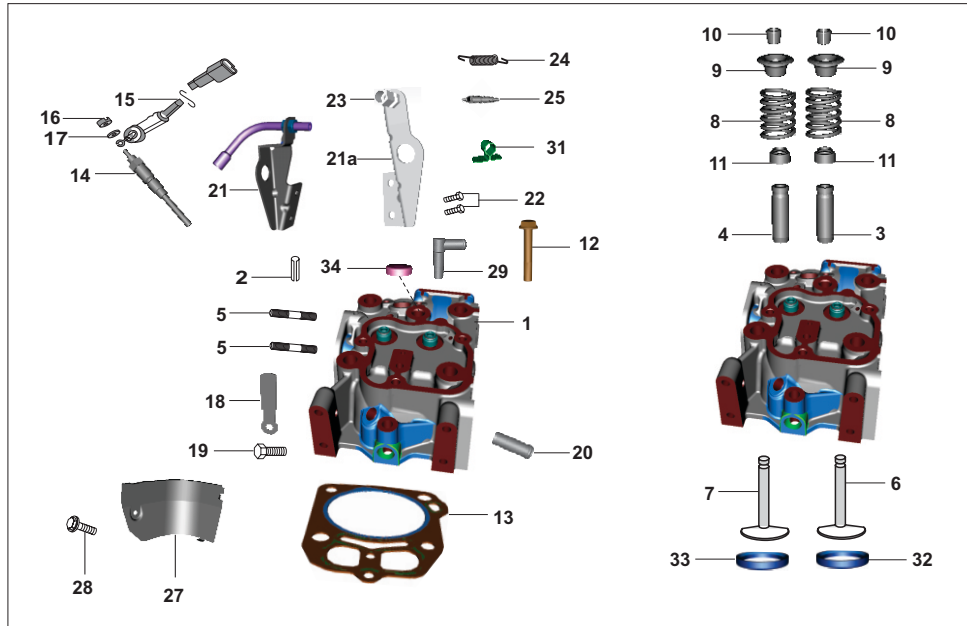
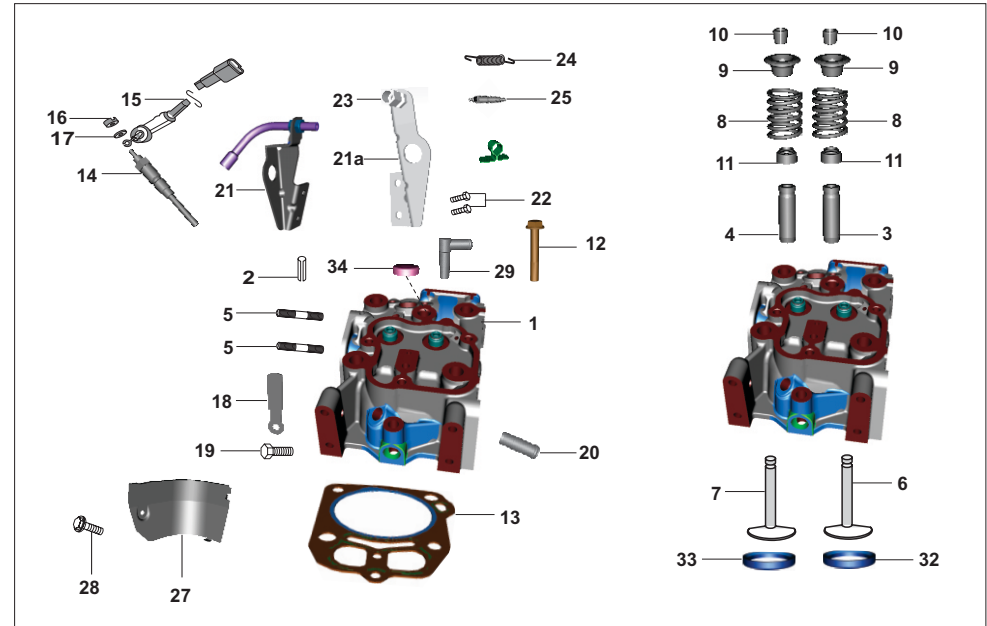


PLATE NO. 19 : CYLINDER HEAD

RE COMPACT,OPTIMA
& MAXIMA DIESEL

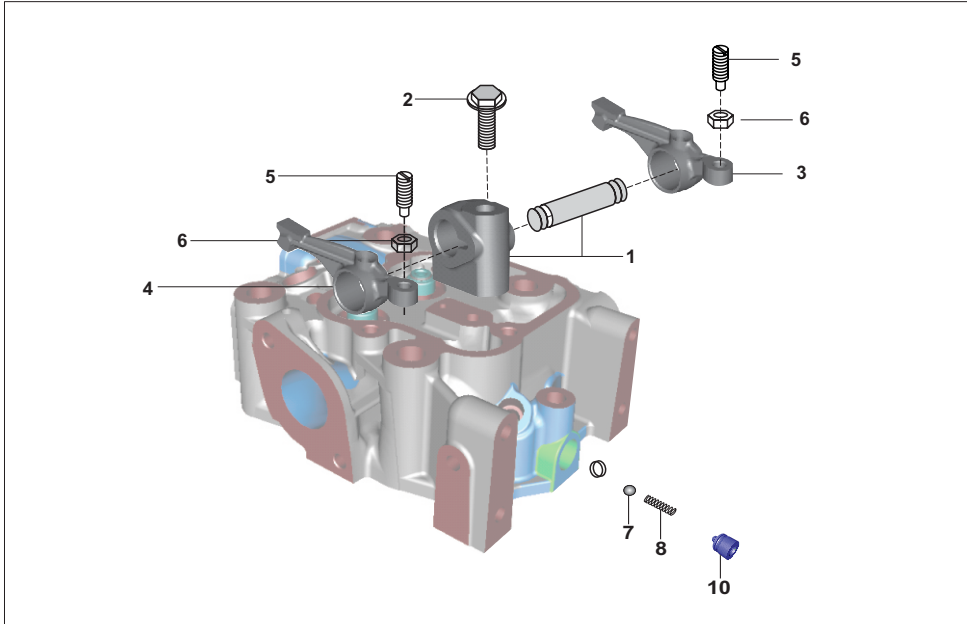


No.	Part No.	Description	BA	BA	BH	BB	Remarks
1	BB 1030 40	Cylinder head complete	1	1	1	1	
2	39 1568 06	Spring dowel sleeve	1	1	1	1	
3	BA 1020 21	Guide Inlet valve	1	1	1	1	
4	BA 1020 23	Guide exhaust valve	1	1	1	1	
5	39 2264 05	Stud (injector)	2	2	2	2	
6	BA 1020 14	Valve (Inlet)	1	1	1	1	
7	BA 1020 17	Valve (Exhaust)	1	1	1	1	
8	BA 1020 19	Valve spring	2	2	2	2	
9	BA 1020 20	Retainer valve spring	2	2	2	2	
10	BA 1020 22	Collet valve spring	4	4	4	4	
11	BB 1010 90	Seal valve stem	2	2	2	2	
12	BA 1022 70	Head bolt	4	4	4	4	
13	BB 1030 46	Gasket cylinder head	1	1	1	1	
14	BB 1110 09	Glow Plug	1	1	1	1	
15	BA 1110 06	Cord, Glow Plug	1	1	1	1	
16	39 1560 15	Flange nut	1	1	1	1	
17	39 0375 11	Plain washer	1	1	1	1	
18	BA 2010 06	Clamp	1	1	1	1	

No.	Part No.	Description	BA	BA	BH	BB	Remarks
19	39 1556 04	Bolt	1	1	1	1	
20	BA 1020 27	Pipe joint	1	1	1	1	
21	BA 1023 08	Bracket decompression	1	1	-	-	
21	BA 1030 32	Bracket Decompression for cable	-	1	-	-	from- 19.10.13
21a	BB 1011 76	Bracket decompression	-	-	1	1	
22	39 1680 04	Bolt flanged small	2	2	2	2	
23	BA 1022 77	Adjuster with nut	1	1	1	2	
24	BB 1030 19	Spring stop switch	1	1	1	1	
25	30 2010 73	Switch (Decomp switch)	1	-	1	-	
25	AB 2010 75	Switch - rear brake	-	1	-	1	
26	BA 1110 06	Cord, glow plug	1	1	1	1	
27	BA 1021 04	Cowling cylinder	1	1	1	1	
28	39 1680 04	Flanged bolt	1	1	1	1	
29	BA 1022 44	Pipe joint -Q oil tube	1	1	1	1	
30	39 1549 05	Stud - m8	2	2	2	2	
31	KA DD08 60	Bolt flanged	1	1	1	1	
32	BA 1020 25	Seat - valve inlet	1	1	1	1	
33	BA 1020 26	Seat - valve exhaust	1	1	1	1	
34	BA 1020 18	Cap - sealing	1	1	1	1	

PLATE NO. 20 : ROCKER ARM

RE COMPACT,OPTIMA
& MAXIMA DIESEL

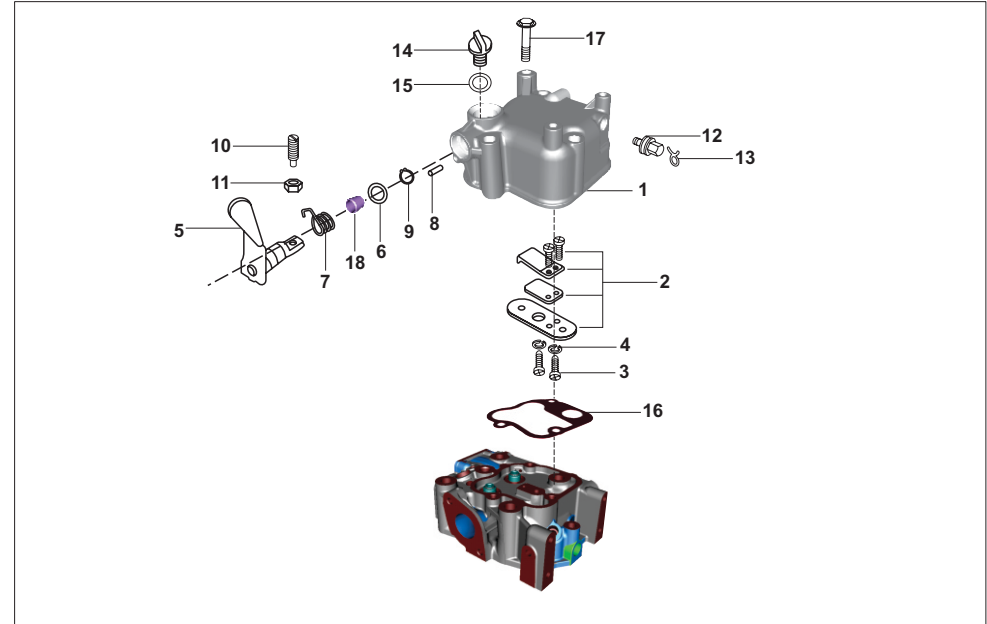


No.	Part No.	Description	BA	BA	BH	BB	Remarks
1	BA 1023 01	Bracket complete rocker	1	1	1	1	
2	LA D000 69	Flange bolt M8 X1.25	1	1	1	1	Fr-10.9.13
3	BA 1020 33	Rocker arm inlet	1	1	1	1	
4	BA 1020 34	Rocker arm exhaust	1	1	1	1	
5	BA 1022 79	Adjusting Screw	2	2	2	2	
6	BA 1020 36	Nut	2	2	2	2	
7	01 1801 23	Ball	1	1	1	1	
8	BB 1030 56	Spring	1	1	1	1	
10	BB 1030 57	Plug	1	1	1	1	
11	BB 1030 69	Wire clip	1	1	1	1	
12	LJ A000 02	O ring for e - 20	1	1	1	1	
13	BA 1023 03	Shaft rocker arm	1	1	1	1	
14	BB 1030 79	Assembly plug relief	1	1	1	1	NI

BA - COMPACT
BA - COMPACT THL
BH - OPTIMA
BB - MAXIMA

PLATE NO. 21 : CYLINDER HEAD COVER

RE COMPACT,OPTIMA
& MAXIMA DIESEL

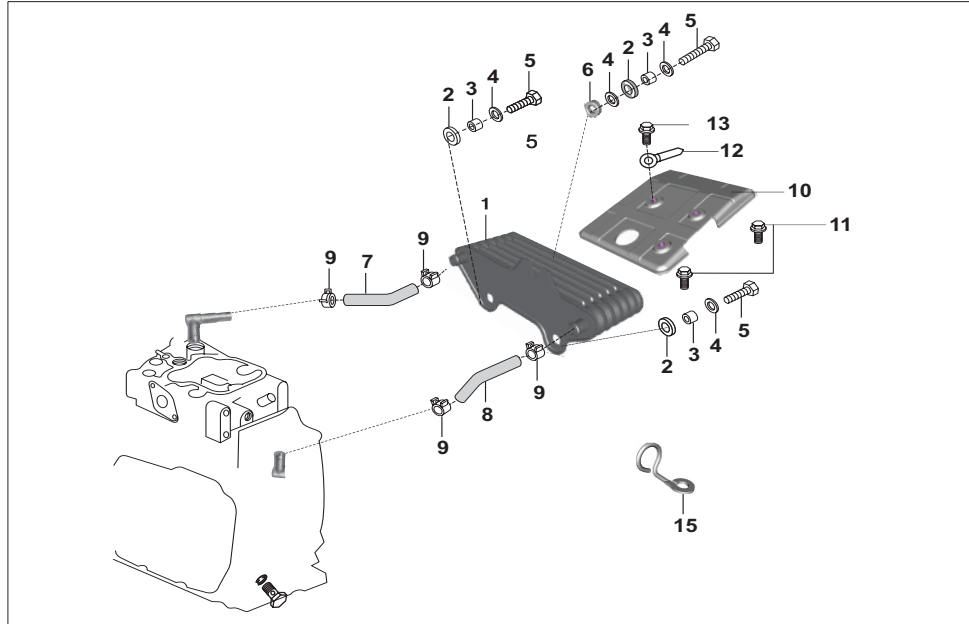


No.	Part No.	Description	BA	BA	BH	BB	Remarks
1	BA 1022 64	Assembly head cover	1	1	1	1	NI
1a	BA 1022 59	Head cover sub assly	1	1	1	1	
2	BA 1020 43	Breather assembly	1	1	1	1	
3	39 0761 01	Screw pan cross	2	2	2	2	
4	39 0790 12	Washer Spring	2	2	2	2	
5	BA 1022 67	Shaft complete (decompress)	1	1	1	1	
6	39 0703 11	Plain washer	1	1	1	1	
7	BA 1022 63	Torsion spring (decompress)	1	1	1	1	
8	39 1567 06	Spring dowel sleeve	1	1	1	1	
9	39 0645 17	Circlip (external)	1	1	1	1	
10	BA 1020 47	Decompression Bolt	1	1	1	1	
11	39 1578 15	Hexagon Nut	1	1	1	1	
12	BA 1021 46	Breather tube	1	1	1	1	
13	BA 1021 47	Pipe Clip	1	1	1	1	
14	BA 1020 38	Oil Plug	1	1	1	1	
15	39 1562 21	"O" Ring	1	1	1	1	
16	BA 1020 42	Gasket head cover	1	1	1	1	
17	39 1571 04	Flange Bolt	3	3	3	3	
18	BA 1022 54	Bush - head cover lever decomp.	1	1	1	1	
19	39 0287 15	Nut hexagon m4x0.7 br valve	1	1	1	1	NI
20	39 0900 12	Washer - spring br valve	2	2	2	2	NI

BA - COMPACT
BA - COMPACT THL
BH - OPTIMA
BB - MAXIMA

PLATE NO. 22 : OIL COOLER

RE COMPACT,OPTIMA
& MAXIMA DIESEL

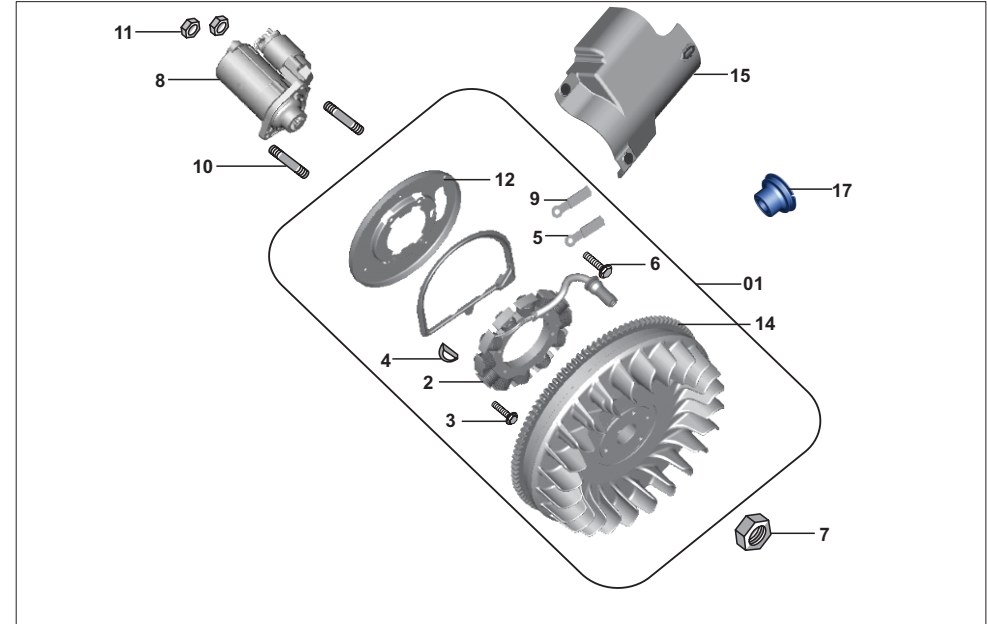


No.	Part No.	Description	BA	<u>BA</u>	BH	BB	Remarks
1	BA 1020 88	Oil Cooler	1	1	1	1	
2	BA 1022 22	Vibro - Isolating Rubber	4	4	4	4	
3	BA 1020 90	Collar - Vibro- Isolating Rubber	2	2	2	2	
4	BA 1030 12	Special washer	2	2	2	2	
5	KA DA06 20	Screw - hexagon head :- M6	3	3	3	3	
6	BA 1023 05	Spacer	1	1	1	1	
7	BA 1022 35	Tube assembly -1 (Oil)	1	1	1	1	
8	BB 1030 58	Tube oil-cooler to head	1	1	1	1	
9	BA 1021 56	Hose clip	4	4	4	4	
10	BA 1020 96	Cover (oil cooler)	1	1	1	1	
11	59 0400 14	Flanged bolt -cover	2	2	2	2	
12	BA 2010 06	Clamp	1	1	1	1	
13	39 1556 04	Bolt - flange	1	1	1	1	
14	BA 1220 02	Clamp	1	1	1	1	
15	BA 1022 92	Clip guide	2	2	2	2	
16	KA ED06 22	Bolt small case spiral	4	4	4	4	NI

BA - COMPACT
BA - COMPACT THL
BH - OPTIMA
BB - MAXIMA

PLATE NO. 23: ALTERNATOR & STARTER MOTOR

RE COMPACT,OPTIMA
& MAXIMA DIESEL

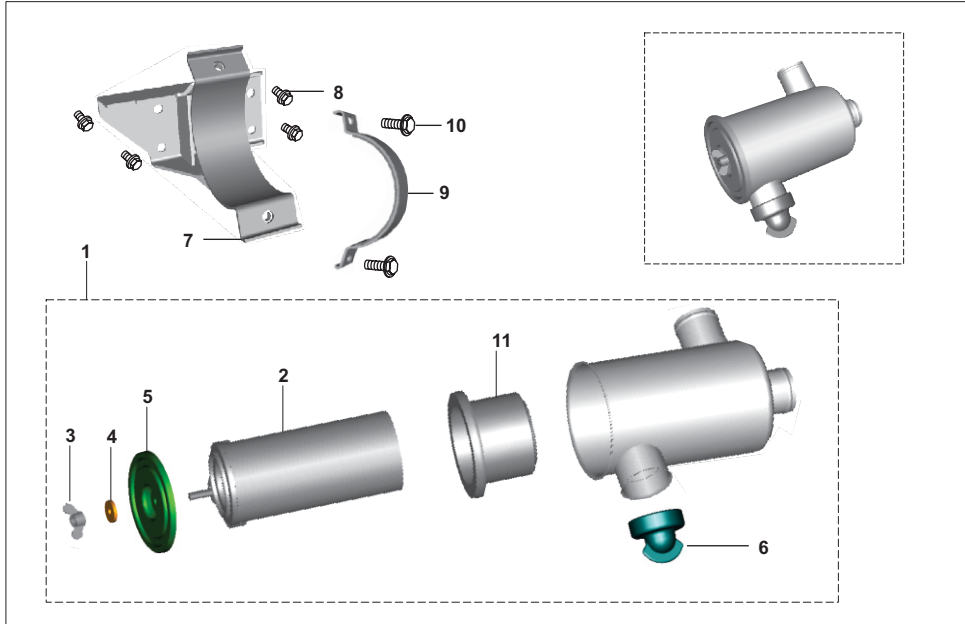


No.	Part No.	Description	BA	<u>BA</u>	BH	BB	Remarks
1	BB 1110 10	Alternator (1-phase)	1	1	1	1	
2	BA 1110 23	Assembly stator (1 phase)	1	1	1	1	
3	39 1552 04	Flange bolt	4	4	4	4	
4	BA 1020 99	Key woodruff	1	1	1	1	
5	BA 2010 06	Clamp	1	1	1	1	
6	39 1556 04	Flange bolt	1	1	1	1	
7	BA 1021 00	Nut (Flywheel)	1	1	1	1	
8	BG 3516 02	Starter Motor	1	1	1	1	
8	BG 3516 03	Starter Motor-TVS	1	1	1	1	
9	BA 2010 06	Clamp	4	4	4	4	
10	39 1635 05	Stud	2	2	2	2	
11	39 1970 15	Nut - Hexagon with flange-M8	2	2	2	2	
12	BA 1022 16	Cover - dust (alternator)	1	1	1	1	
13	BA 1022 15	Seal	1	1	1	1	
14	BA 1110 16	Ring gear	1	1	1	1	
15	BG 3516 01	Cover Starter motor	-	-	1	1	
17	AL 1010 29	Pulley	-	-	-	1	
18	AL 1010 30	Pulley rope	-	-	-	1	NI
19	AL 1010 38	Bolt pre-coating	-	-	-	1	NI
20	39 0239 11	Plain washer	-	-	-	1	NI
21	39 1826 12	Washer spring	-	-	-	1	NI
22	39 1551 04	Bolt flanged m6x10	-	-	-	1	NI

BA - COMPACT
BA - COMPACT THL
BH - OPTIMA
BB - MAXIMA

PLATE NO. 24: AIR FILTER

RE COMPACT,OPTIMA
& MAXIMA DIESEL

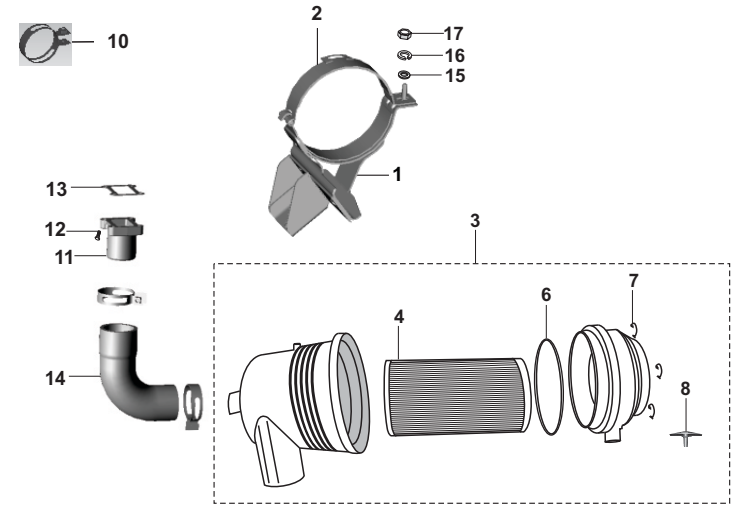


No.	Part No.	Description	BA	BA	BH	BB	Remarks
1	BA 1222 20	Air cleaner assembly	1	1	--	--	
2	BA 1221 92	Element assembly	1	1	--	--	
3	YB A070 01	Wing nut	1	1	--	--	
4	BA 1220 70	Rubber washer	1	1	--	--	
5	YB A070 03	Top cover	1	1	--	--	
6	BA 1220 71	Valve (unloader)	1	1	--	--	
7	BA 1030 09	Bracket air cleaner	1	1	--	--	
8	39 1556 04	Flange bolt	4	4	--	--	
9	BA 1220 75	Air cleaner band assembly	1	1	--	--	
10	39 0390 04	Flange bolt	2	2	--	--	
11	YB A070 02	Cyclopack (Pre cleaner)	1	1	--	--	
12	YB A070 04	Gasket cover	1	1	--	--	NI

BA - COMPACT
BA - COMPACT THL
BH - OPTIMA
BB - MAXIMA

PLATE NO. 24a : AIR FILTER

RE COMPACT,OPTIMA
& MAXIMA DIESEL

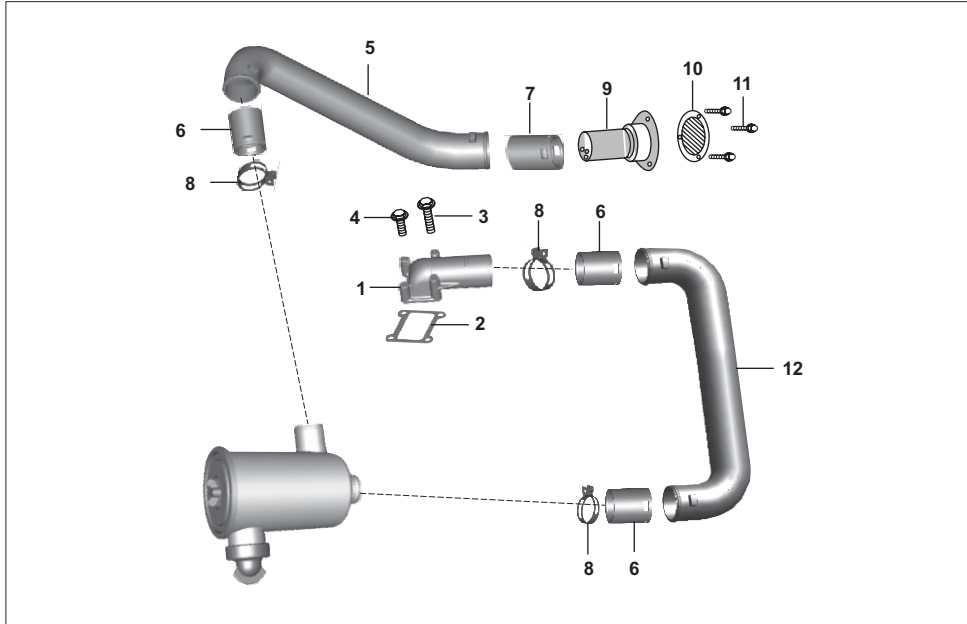


No.	Part No.	Description	BA	BA	BH	BB	Remarks
1	BG 5810 00	Bracket isolator Air Filter	--	--	1	--	
2	BG 5810 06	Clamp air cleaner	--	--	1	1	
3	AL 1210 60	Air filter assly.	--	--	1	1	
4	AL 1210 62	Element Air Filter	--	--	1	1	
5	AL 1210 70	Cover a/f	--	--	1	1	NS
6	AL 1210 68	Seal ring flat	--	--	1	1	
7	AL 1210 69	Clamp flat	--	--	3	3	
8	BB 1210 29	Flap air intake	--	--	1	1	
9	39 1912 04	Bolt flange	--	--	2	2	
10	AP 1210 64	Clip	--	--	1	1	
11	BB 1222 24	Manifold air intake	--	--	1	1	
12	KA DD06 20	Bolt flanged	--	--	4	4	
13	BB 1030 55	Gasket manifold	--	--	1	1	
14	BB 1030 54	Tube intake manifold	--	--	1	1	
15	39 0714 11	Washer Plain Af Clamp	--	--	1	1	
16	39 1827 12	Washer - Spring Af Clamp	--	--	1	1	
17	39 0467 15	Nut Hexagon -m12 X 1.5	--	--	1	1	

BA - COMPACT
BA - COMPACT THL
BH - OPTIMA
BB - MAXIMA

PLATE NO. 25 : INTAKE ASSLY.

RE COMPACT,OPTIMA
& MAXIMA DIESEL

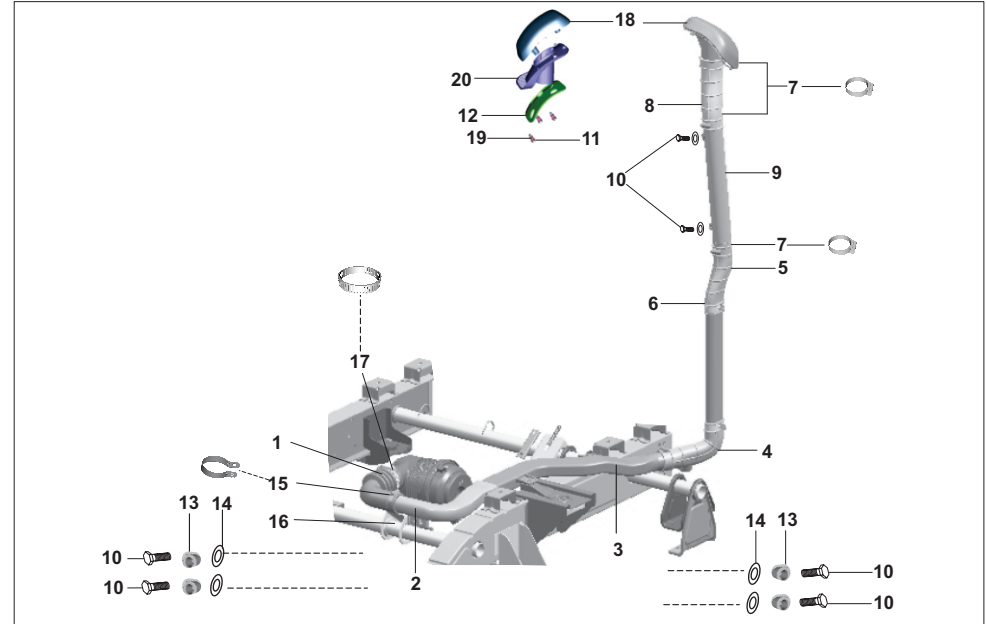


No.	Part No.	Description	BA	BA	BH	BB	Remarks
1	BA 1222 29	Manifold air intake	1	1	-	-	
2	BB 1030 55	Gasket (Flange)	1	1	-	-	
3	KA DD06 20	Bolt flanged small	2	2	-	-	
4	KA DD06 60	Flange bolt	2	2	-	-	
5	BA 1221 80	Hose air-1 ch. to air filter	1	1	-	-	
6	BA 1221 81	Sleeve - rubber hose 1 & 2	2	2	-	-	
7	BA 1221 83	Sleeve - chassis end	1	-	-	-	
7	BA 1030 37	Sleeve - chassis end	1	1	-	-	
8	BA 1220 62	Pipe band-clips	3	3	-	-	
9	BA 2310 10	Cup -Assly air suction	1	-	-	-	
9	BA 1030 35	Cup -Assly air suction	1	1	-	-	
10	BA 2310 13	Grill - air suction hole	1	1	-	-	
11	39 1773 04	Bolt	3	3	-	-	
12	BA 1221 82	Hose - air 2 manifold to filter	1	1	-	-	
13	BA 1030 27	Hose air filter to manifold	1	1	-	-	
14	BA 1221 84	Assly hose air filter to chassis	1	1	-	-	

BA - COMPACT
BA - COMPACT THL
BH - OPTIMA
BB - MAXIMA

PLATE NO. 25a : INTAKE ASSLY.

RE COMPACT,OPTIMA
& MAXIMA DIESEL

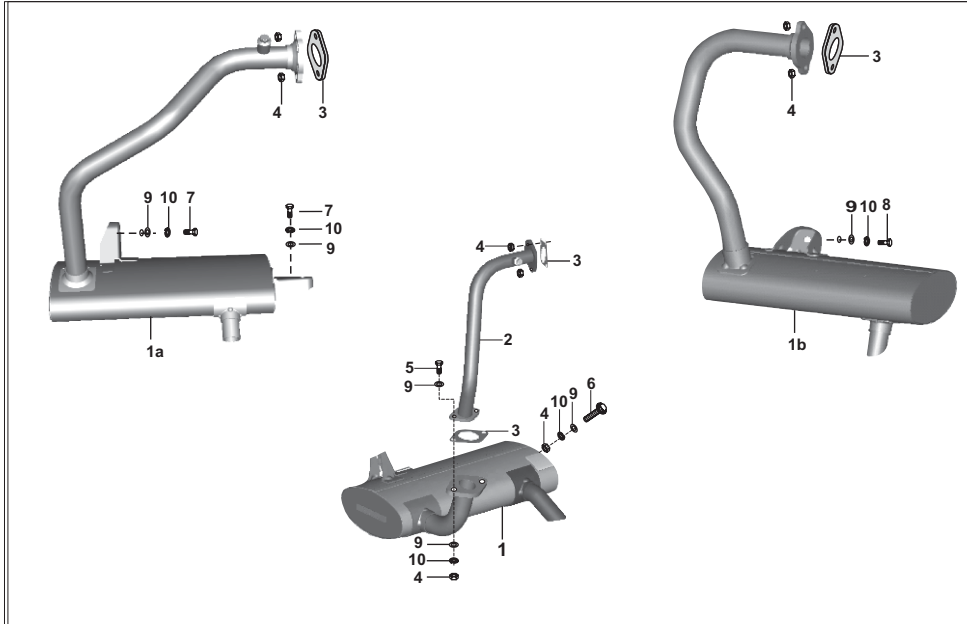


No.	Part No.	Description	BA	BA	BH	BB	Remarks
1	BH 5810 21	Tube air intake	-	-	1	-	
1	BB 1211 13	Tube air intake	-	-	-	1	
2	BH 5810 16	Pipe air intake-i	-	-	1	-	BH581014
3	BB 1211 12	Pipe air intake-i	-	-	-	1	BB121104
4	BH 5810 15	Rubber elbow chassis end	-	-	1	-	
4	BB 1211 11	Assembly water drain sleeve	-	-	-	1	
5	BH 5810 05	Elbow rubber lower end	-	-	1	-	
5	BB 1211 07	Elbow rubber lower end	-	-	-	1	
6	BH 5810 10	Clip elbow lower end	-	-	1	1	
7	24 1704 31	Clip - hose	-	-	3	3	
8	AZ 5810 21	Elbow top end	-	-	1	-	
8	BB 1211 08	Elbow top end	-	-	-	1	
9	AZ 5810 18	Pipe air intake upper	-	-	1	1	
10	39 1912 04	Bolt - flanged	-	-	8	8	
11	39 1913 04	Bolt - flanged	-	-	3	3	
12	BH 1850 03	Packing snorkel	-	-	1	1	
13	BG 5814 04	Damper rubber	-	-	4	4	
14	39 0814 11	Washer - plain	-	-	4	4	
15	AL 1210 19	Clip - air pipe	-	-	1	1	
16	39 0756 01	Screw pan cross - m6	-	-	1	1	
17	BB 1310 40	Hose clamp - dia.60	-	-	1	1	
18	BH 1850 01	Grill air intake snorkel top	-	-	1	1	
19	JG 5810 15	Insert (M6*1)	-	-	3	3	
20	BH 1850 02	Grill air intake snorkel bottom	-	-	1	1	

BA - COMPACT
BA - COMPACT THL
BH - OPTIMA
BB - MAXIMA

PLATE NO. 26 : SILENCER

RE COMPACT,OPTIMA
& MAXIMA DIESEL

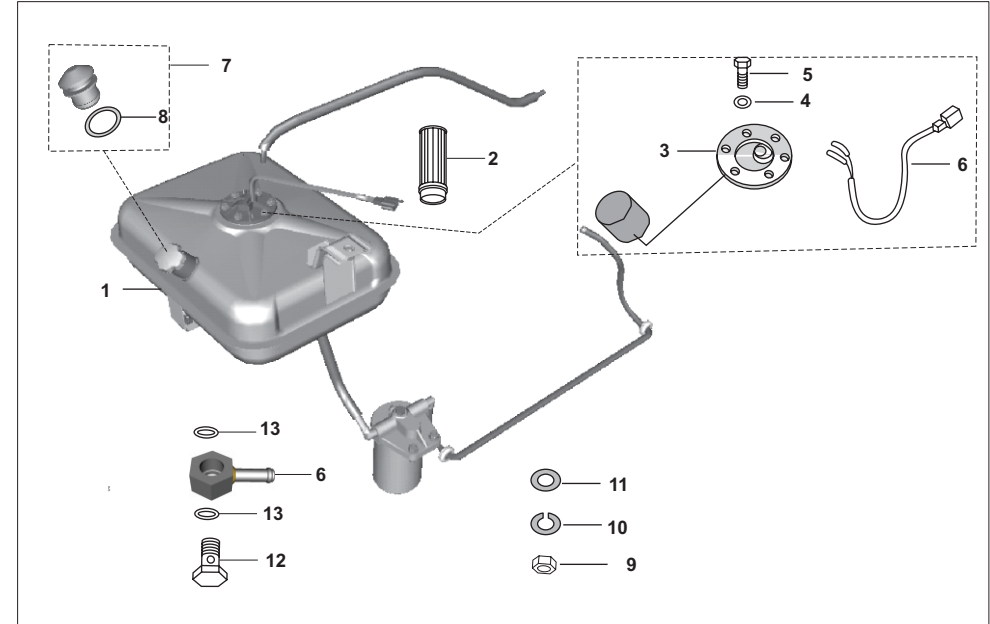


No.	Part No.	Description	BA	<u>BA</u>	BH	BB	Remarks
1	BA 1030 04	Silencer	1	1	-	-	
1a	BH 5910 01	Silencer	--	--	1	-	
1b	BB 1030 03	Silencer	--	-	-	1	
2	BA 1030 03	Exhaust tube complete	2	2	-	-	
3	BA 1020 29	Gasket (Muffler NA)	2	2	1	1	
4	39 0694 15	Nut	6	6	2	2	
5	39 1389 04	Hex bolt	2	2	-	-	
6	39 1714 04	Flanged bolt	1	1	-	-	
7	39 0390 04	Screw - hexagon	2	2	2	-	
8	39 0435 01	Screw - hexagon	1	1	1	1	
9	39 1180 11	Plain washer	2	2	2	2	
10	39 1828 12	Spring washer	4	4	2	2	
11	BA 1030 11	Silencer assembly complete	1	1	-	--	

BA - COMPACT
BA - COMPACT THL
BH - OPTIMA
BB - MAXIMA

PLATE NO. 27 : FUEL TANK ASSEMBLY COMPACT

RE COMPACT,OPTIMA
& MAXIMA DIESEL

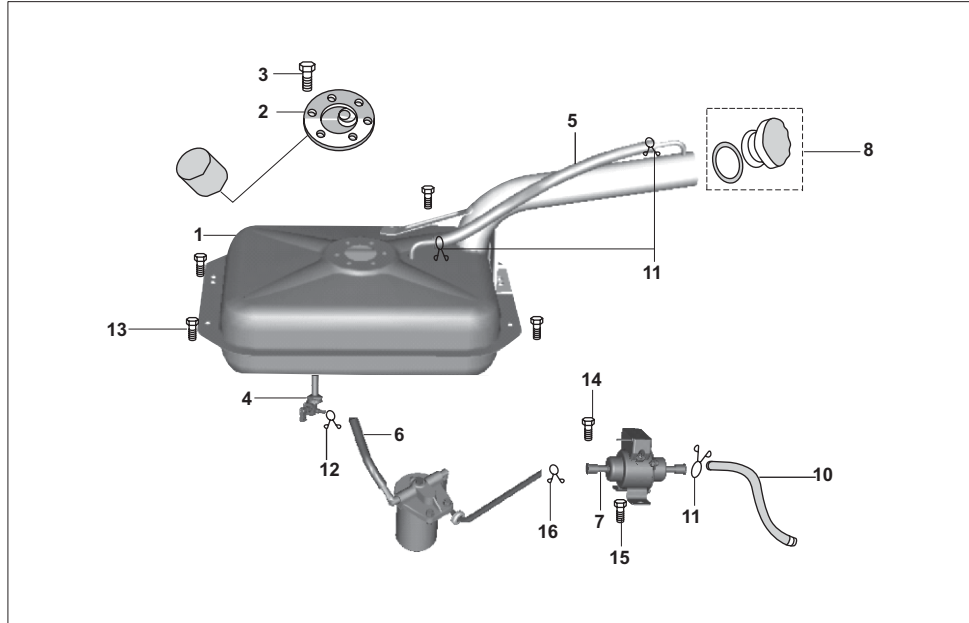


No.	Part No.	Description	BA	<u>BA</u>	BH	BB	Remarks
1	BA 1410 41	Fuel tank metal only	1	1	-	-	
2	BA 1410 13	Fuel stainer	1	1	-	-	
3	BA 2011 07	Tank unit (Fuel)	1	-	-	-	
3	BH 4026 00	Tank unit (Fuel)	--	1	-	-	
4	03 1902 04	Spacer washer	--	6	-	-	
5	01 1605 09	Hex bolt	--	6	-	-	
5	LA D000 67	Bolt flanged-m5x0.8xl 15xstepped	6	-	-	-	
6	AL 1210 20	Joint for fuel line	1	1	-	-	
7	BA 1410 19	Cap assly	1	1	-	-	
8	BF 1716 04	'O' ring	1	1	-	-	
9	39 0294 15	Hexagon nut-mtg. tank	--	3	-	-	
10	39 1828 12	Spring washer-mtg. tank	3	3	-	-	
11	39 1180 11	Plain washer-mtg. tank	3	3	-	-	
12	BA 1410 17	Bolt - banjo	1	1	-	-	
13	BA 1221 43	Washer - copper- spare part	2	2	-	-	
14	BA 1410 53	Assembly pipe fuel overflow	1	1	-	--	

BA - COMPACT
BA - COMPACT THL
BH - OPTIMA
BB - MAXIMA

PLATE NO. 27a : FUEL TANK ASSEMBLY OPTIMA

RE COMPACT,OPTIMA
& MAXIMA DIESEL

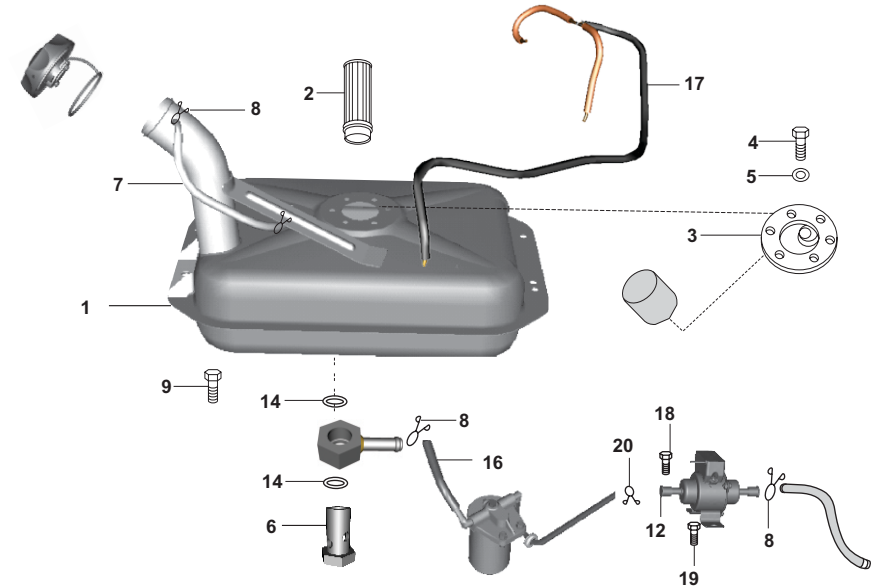


No.	Part No.	Description	BA	<u>BA</u>	BH	BB	Remarks
1	BG 1710 06	Fuel tank complete	--	--	1	--	with tank unit & pipe
2	BH 4026 00	Switch float-tank unit	--	--	1	--	
3	01 1605 09	Hex bolt (tank unit)	--	--	6	--	
4	BG 1718 05	Tap fuel for fuel tank	--	--	1	--	
5	BG 1718 00	Pipe fuel breather	--	--	1	--	
6	BB 1410 24	Pipe assly fuel tank to filter	--	--	1	--	with sleeve
7	AL 2010 34	Fuel pump	--	--	1	--	
8	BH 1716 00	Cap assly	--	--	1	--	
9	BG 1718 04	Fuel overflow pipe (tank)	--	--	1	--	
10	BG 1718 03	Pipe assy fuel-pump to engine	--	--	1	--	
11	33 1410 08	Clamp breather pipe	--	--	2	--	
12	33 1410 07	Clamp pipe to filter,	--	--	1	--	
13	KA DD08 16	Bolt-flange-tank	--	--	4	--	
14	KA DD06 16	Bolt-flange M8-Pump	--	--	1	--	
15	KA ED08 16	Bolt-flanged-small	--	--	1	--	
16	BA 1410 34	Clamp	--	--	1	--	

BA - COMPACT
BA - COMPACT THL
BH - OPTIMA
BB - MAXIMA

PLATE NO. 27b : FUEL TANK ASSEMBLY MAXIMA

RE COMPACT,OPTIMA
& MAXIMA DIESEL

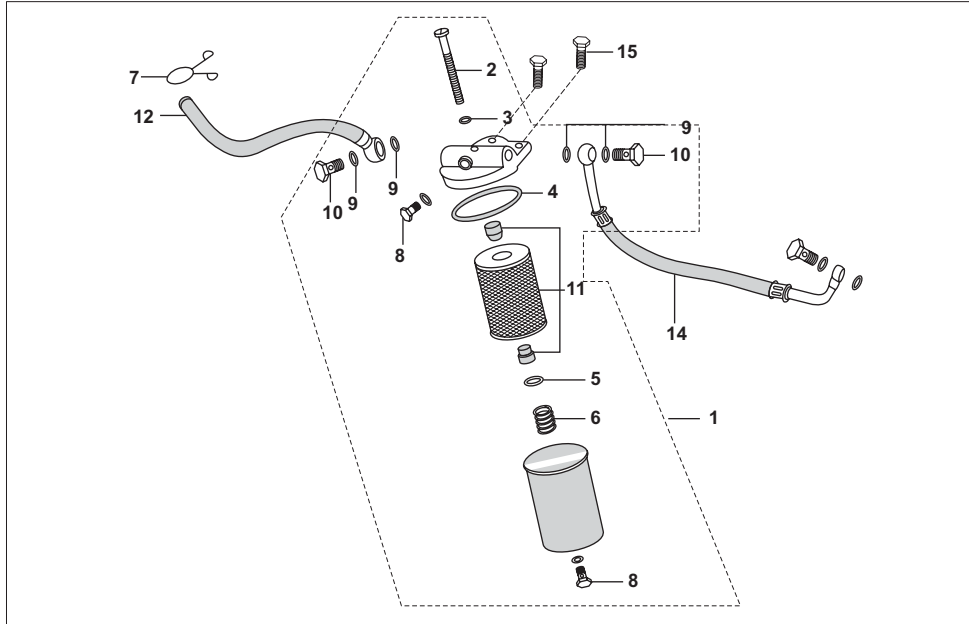


No.	Part No.	Description	BA	<u>BA</u>	BH	BB	Remarks
1	AL 1410 48	Fuel tank complete	--	--	--	1	with tank unit & pipe
2	BA 1410 13	Strainer fuel	--	--	--	1	
3	BH 4026 00	Switch float-tank unit	--	--	--	1	
4	01 1605 09	Hex bolt (tank unit)	--	--	--	6	
5	03 1902 04	Plain Washer	--	--	--	6	
6	BA 1410 17	Bolt - banjo	--	--	--	1	
7	AL 1410 58	Pipe air vent	--	--	--	1	
8	33 1410 08	Pipe clip	--	--	--	2	
9	KA DD08 20	Bolt-flanged-small	--	--	--	4	
10	KC GD08 08	Nut	--	--	--	4	
11	AL 1410 54	Pipe fuel tank to filter	--	--	--	1	
12	AL 2010 34	Fuel pump	--	--	--	1	
13	36 AI00 14	Lock fuel tank cap w/o key	--	--	--	1	
14	BA 1221 43	copper washer	--	--	--	2	
16	BB 1410 35	sleeve fuel filter feed pump	--	--	--	1	
17	BB 1410 39	Pipe assembly fuel overflow	--	--	--	1	
18	KA DD06 16	Bolt-flange M8-Pump	--	--	--	1	
19	KA ED08 16	Bolt-flanged-small	--	--	--	1	
20	BA 1410 34	Clamp	--	--	--	1	

BA - COMPACT
BA - COMPACT THL
BH - OPTIMA
BB - MAXIMA

PLATE NO. 28 : FUEL FILTER ASSEMBLY

RE COMPACT,OPTIMA
& MAXIMA DIESEL

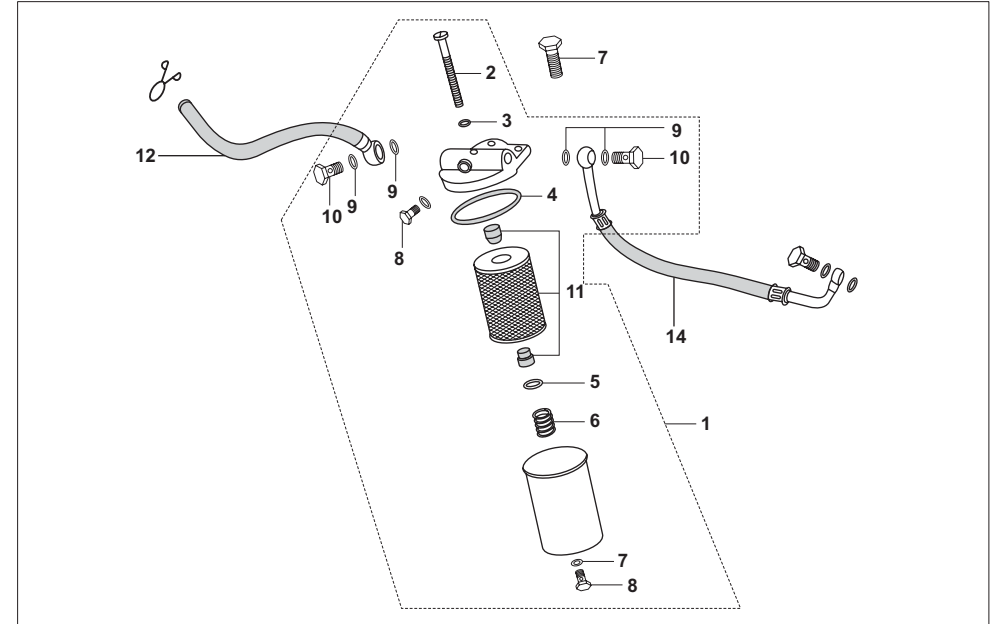


No.	Part No.	Description	BA	BA	BH	BB	Remarks
1	BA 1220 72	Fuel filter (0.5 lit.) assly.	1	1	-	--	
2	BA 1221 34	Center bolt	1	1	-	--	
3	BA 1221 35	Washer	1	1	-	--	
4	BA 1221 37	Sealing ring	1	1	-	--	
5	BA 1221 39	Washer	1	1	-	--	
6	BA 1221 40	Spring	1	1	-	--	
7	Ba 1220 03	Pipe Clip	5	5	-	--	
8	BA 1221 42	Air vent screw	1	1	-	--	
9	BA 1221 43	Copper washer	4	4	-	--	
10	BA 1410 17	Banjo bolt	2	2	-	--	
11	BA 1220 86	Fuel filter element	1	1	-	--	
12	BA 1410 30	Pipe assly - tank to filter	1	1	-	--	
13	BA 1221 43	Sealing washer	2	2	-	--	
14	BA 1410 29	Pipe assy fuel- filter to pump	1	1	-	--	
15	39 1681 04	Bolt flange- M8	2	2	-	--	

BA - COMPACT
BA - COMPACT THL
BH - OPTIMA
BB - MAXIMA

PLATE NO. 28a : FUEL FILTER ASSEMBLY

RE COMPACT,OPTIMA
& MAXIMA DIESEL



No.	Part No.	Description	BA	BA	BH	BB	Remarks
1	BB 1210 43	Fuel filter (0.5 lit.) assly.	--	--	1	1	
2	BB 1210 49	Center bolt	--	--	1	1	
3	BA 1221 35	Washer	--	--	1	1	
4	BB 1210 47	Sealing ring	--	--	1	1	
5	BB 1210 48	Washer	--	--	1	1	
6	BA 1221 40	Spring	--	--	1	1	
7	KA DD08 25	Bolt flange- M8	--	--	2	2	
8	BA 1221 42	Air vent screw	--	--	1	1	
9	BA 1221 43	Copper washer	--	--	4	4	
10	BA 1410 17	Banjo bolt	--	--	2	2	
11	BB 1210 50	Fuel filter element	--	--	1	1	
12	BB 1410 24	Assly pipe - tank to filter	--	--	1	--	
12	AL 1410 54	Pipe - tank to filter	--	--	--	1	
13	BA 1221 43	Sealing washer	--	--	2	2	
14	BH 1718 10	Pipe assy fuel- filter to pump	--	--	1	--	
14	BB 1410 33	Pipe assy fuel- filter to pump	--	--	--	1	

BA - COMPACT
BA - COMPACT THL
BH - OPTIMA
BB - MAXIMA

PLATE NO. 29 : INJECTION PUMP & NOZZLE HOLDER

RE COMPACT,OPTIMA
& MAXIMA DIESEL

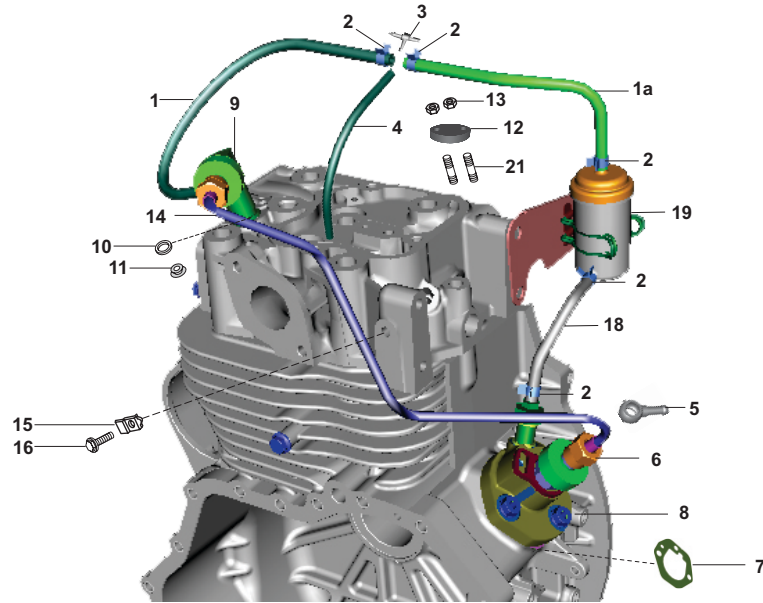
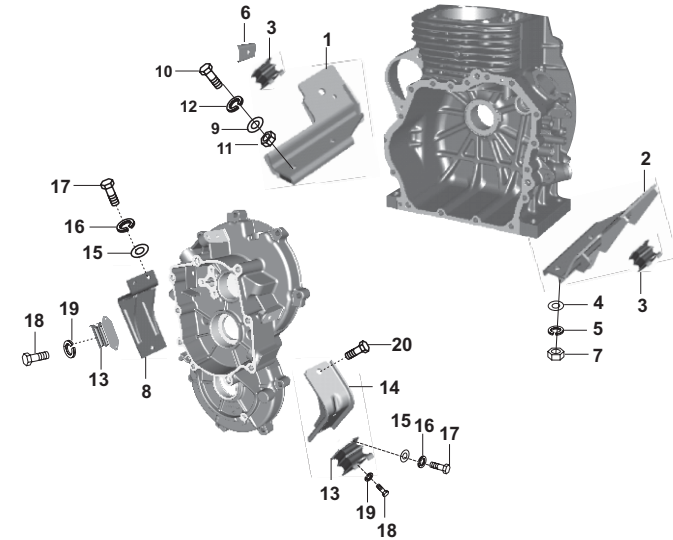


PLATE NO. 30 : ENGINE MOUNTING - COMPACT

RE COMPACT,OPTIMA
& MAXIMA DIESEL



No.	Part No.	Description	BA	BA	BH	BB	Remarks
0	BB 1222 28	Assembly pipe overflow complete	-	-	1	1	
1	BB 1222 26	Fuel overflow pipe	1	1	1	1	
1a	BA 1030 24	Pipe reservoirs to T joint	1	1	1	-	
2	AA 1410 46	Clip - pipe	6	6	6	6	
3	BA 1410 33	T joint	1	1	1	1	
4	BG 1718 04	Pipe assy fuel-overflow-injector	--	--	1	-	
4a	BB 1410 38	Pipe assy fuel-overflow-injector	--	--	-	1	
5	BB 1210 99	Joint FIP	1	1	1	1	
6	BB 1030 43	Pump assy Injection	1	1	1	1	
7	BB 1030 44	Pump adjust shim	1	1	1	1	
7a	BB 1030 45	Shim	1	1	1	1	
8	39 0817 15	Flange nut M6	2	2	2	2	
9	BB 1210 94	Nozzle holder assly (Bosch)	1	1	1	1	
10	BA 1220 11	Packing	1	1	1	1	
11	BA 1220 12	Seal heat	1	1	1	1	
12	BA 1220 13	Clamp (Nozzle)	1	1	1	1	
13	39 1579 15	Hexagon nut	2	2	2	2	
14	BB 1210 93	Pipe -inject. Mico -fu. Inj. Pump	1	1	1	1	
15	BA 1220 14	Clamp assly	1	1	1	1	
16	39 1556 04	Flange bolt	1	1	1	1	
18	BA 1030 17	Pipe res. To fip banjo	1	1	-	-	
19	BA 1030 22	Reservoir fuel	1	1	-	-	
20	BA 1030 31	Assembly bracket reservoir	1	1	-	-	
21	39 2264 05	Stud -M8	1	1	1	1	

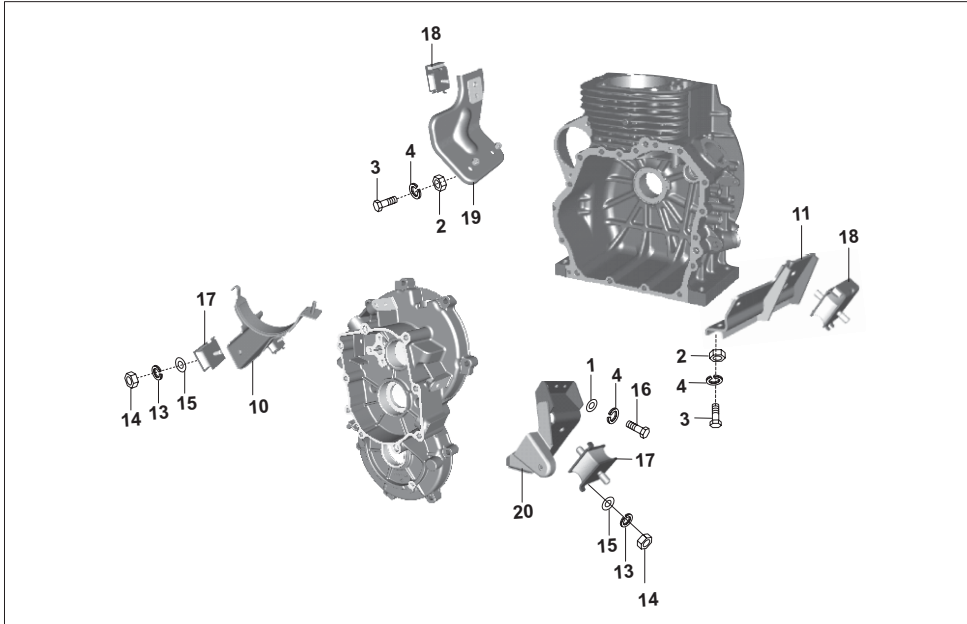
BA - COMPACT
BA - COMPACT THL
BH - OPTIMA
BB - MAXIMA

No.	Part No.	Description	BA	BA	BH	BB	Remarks
1	BA 1021 58	Engine bracket FR	1	1	--	--	
2	BA 1021 59	Engine bracket RR	1	1	--	--	
3	BH 1134 11	Isolator rubber	2	2	--	--	
4	39 0526 11	Washer plain	3	3	--	--	
5	39 1827 12	Washer - spring	4	4	--	--	
6	BA 1610 31	Channel fix g.b mt RR	4	4	--	--	
7	39 0467 15	Nut hexagon -m12 x 1.5	4	4	--	--	
8	BA 1021 64	Bracket	1	1	--	--	
9	39 0248 11	Washer - plain	8	8	--	--	
10	39 1707 04	Bolt hexagon -m10x1.5	4	4	--	--	
11	39 0296 15	Hexagon nut-m10	4	4	--	--	
12	39 1829 12	Spring washer	4	4	--	--	
13	BA 1021 60	Rubber isolator-gb	2	2	--	--	
14	BA 1611 67	Bracket engine mtg rear LH	1	1	--	--	
15	39 0198 11	Washer plain	6	6	--	--	
16	39 1826 12	Washer spring	6	6	--	--	
17	39 1577 04	Bolt flange m6x20	6	6	--	--	
18	BA 1022 33	Bolt long head m8	2	2	--	--	
19	39 0265 12	Spring washer	2	2	--	--	
20	59 0400 26	Bolt flange hexagonal	1	1	--	--	

BA - COMPACT
BA - COMPACT THL
BH - OPTIMA
BB - MAXIMA

PLATE NO. 30a : ENGINE MOUNTING - OPTIMA

RE COMPACT,OPTIMA
& MAXIMA DIESEL

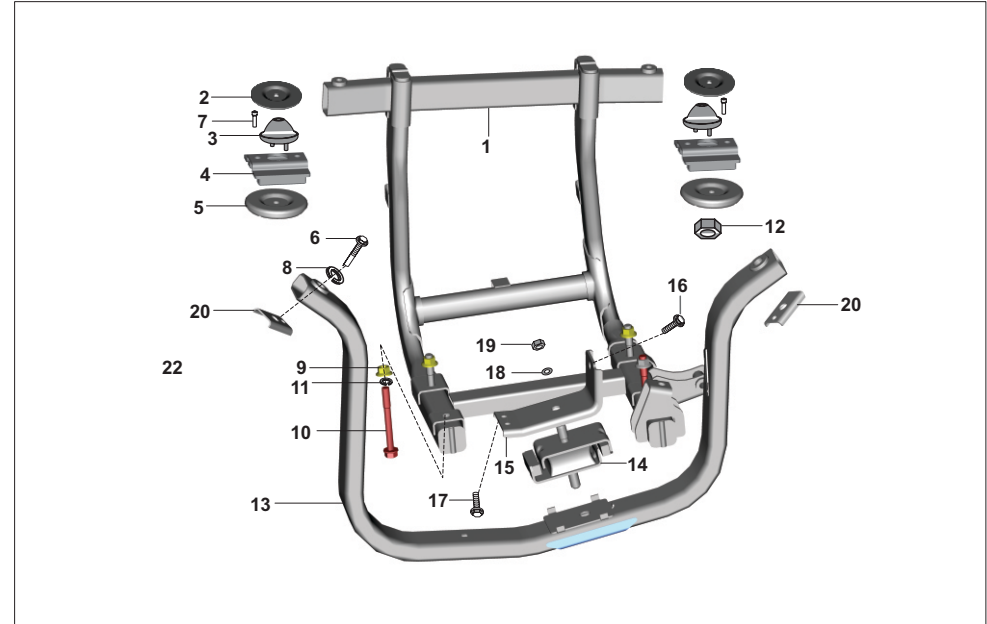


No.	Part No.	Description	BA	<u>BA</u>	BH	BB	Remarks
1	39 1224 11	Plain washer	--	--	3	--	
2	39 0296 15	Hexagon nut-m10	--	--	4	--	
3	39 1396 04	Bolt hexagon-m10x1.5	--	--	4	--	
4	39 1829 12	Spring washer	--	--	4	--	
5	39 0248 11	Washer - plain	--	--	8	--	
6	39 0874 04	Screw m8 hex head	--	--	3	--	
7	39 0265 12	Spring washer	--	--	3	--	
8	39 1828 12	Spring washer	--	--	3	--	
9	39 1180 11	Washer	--	--	3	--	
10	BG 5810 00	Racket air filter	--	--	1	--	
11	BH 1134 07	Bracket engine mtg RR RH	--	--	1	--	
11	BH 1134 08	Bracket engine mtg rear rh fl	--	--	1	--	
12	BH 1134 09	Assembly eng mtg bkt FR RH	--	--	1	--	
12	Bh 1134 10	Bracket engine mtg front rh fl	--	--	1	--	
13	39 1827 12	Washer - spring	--	--	1	--	
14	39 0467 15	Nut hexagon -m12 x 1.5	--	--	1	--	
15	39 0714 11	Washer plain	--	--	1	--	
16	39 2517 04	Bolt - hexagon head - m8	--	--	3	--	
17	AL 1010 20	Isolator rubber	--	--	2	--	
18	BH 1134 11	Isolator rubber	--	--	2	--	
19	BH 1134 09	Bracket engine mtg frontRH	--	--	1	--	
20	BG 1134 03	Assy bracket trans. Mounting	--	--	1	--	

BA - COMPACT
BA - COMPACT THL
BH - OPTIMA
BB - MAXIMA

PLATE NO. 30b : ENGINE MOUNTING - MAXIMA

RE COMPACT,OPTIMA
& MAXIMA DIESEL

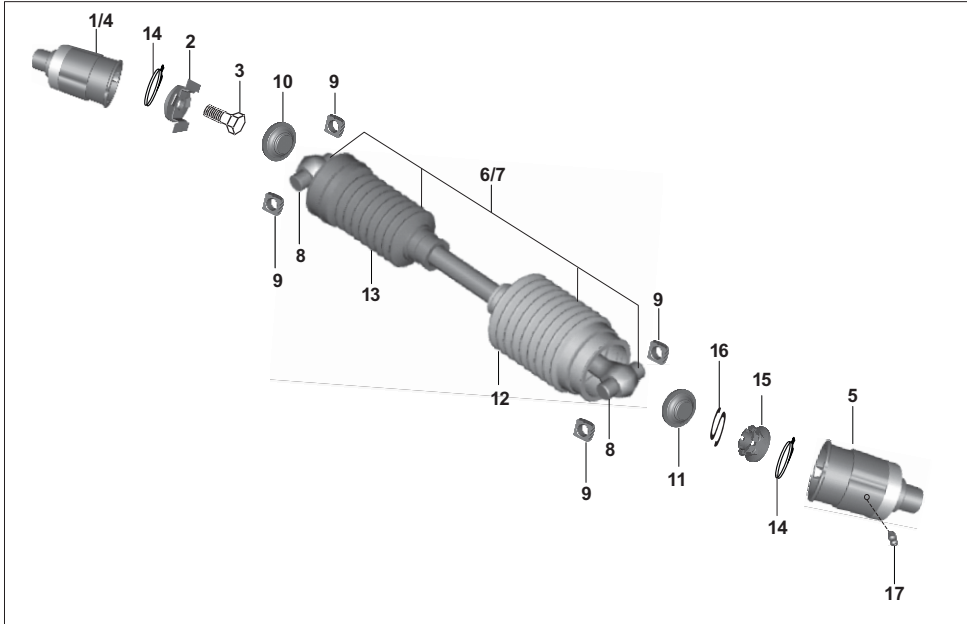


No.	Part No.	Description	BA	<u>BA</u>	BH	BB	Remarks
1	AL 1616 26	Cradle hydroformed	--	--	--	1	
2	AL 1612 52	Plate upper isolator	--	--	--	2	
3	AL 1612 49	Rubber isolator engine	--	--	--	2	
4	AL 1612 50	Plate stopper	--	--	--	2	
5	AL 1615 05	Plate lower isolator	--	--	--	2	
6	39 2237 04	Bolt - hexagon head- m12	--	--	--	2	
7	AL 1612 51	Spacer rubber isolator	--	--	--	2	
8	39 1180 11	Washer - Plain	--	--	--	2	
9	39 2295 15	Nut flanged- ex.tube-cyl head	--	--	--	6	
10	KA DG10 85	Bolt flanged	--	--	--	4	
11	39 1827 12	Washer - Spring	--	--	--	8	
12	39 1225 15	Hex nut flange-m10	--	--	--	4	
13	AL 1613 02	Support engine-middle	--	--	--	1	
14	AL 1612 47	Rubber isolator	--	--	--	1	
15	AL 1612 53	Bracket isolator	--	--	--	1	
16	59 0400 26	Bolt flange hexagonal	--	--	--	1	
17	59 0400 14	Bolt flanged m6x1	--	--	--	2	
18	39 0714 11	Washer plain	--	--	--	2	
19	39 0467 15	Nut hexagon -m12 x 1.5	--	--	--	4	
20	BA 1610 30	Channel fixing - eng mount -RR	--	--	--	2	
21	LA D000 10	Bolt - isolator low plate	--	--	--	2	NI

BA - COMPACT
BA - COMPACT THL
BH - OPTIMA
BB - MAXIMA

PLATE NO. 31 : PROPELLER SHAFT / FLANGES

RE COMPACT,OPTIMA
& MAXIMA DIESEL

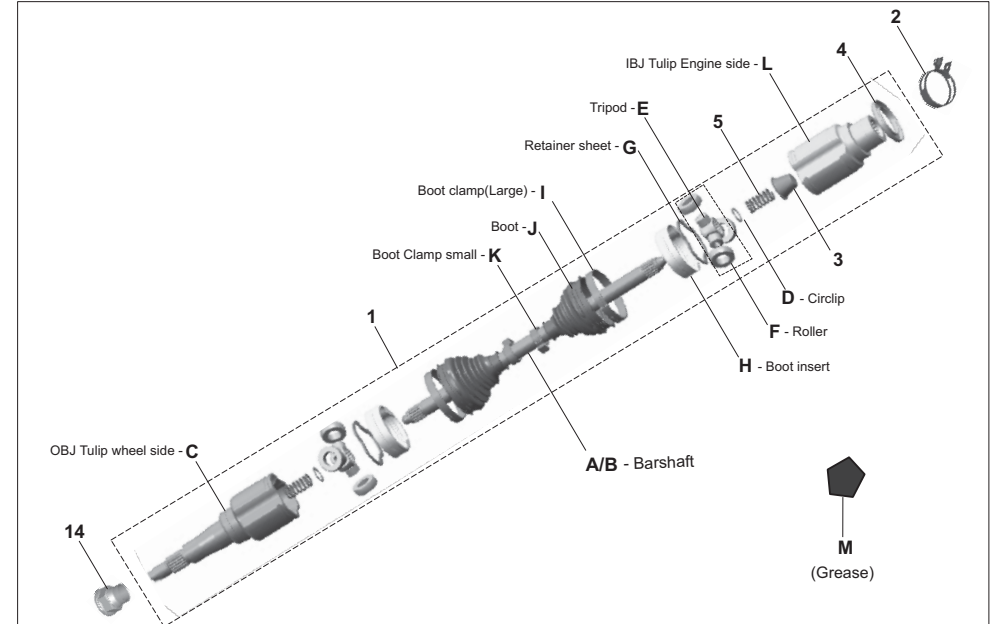


No.	Part No.	Description	BA	BA	BH	BB	Remarks
1	AA 1017 22	Flange assly (Sat.gear)	1	1	--	--	
2	24 1710 14	Lock washer assly	2	2	--	--	
3	39 0119 04	Bolt	2	2	--	--	
4	AA 1017 21	Flange assly (diff. gear)	1	1	--	--	
5	AA 1017 52	Flange assly (wheel side)	2	2	--	--	
6	BA 1330 28	Propeller shaft-LH assly.	1	1	--	--	
7	BA 1330 25	Propeller shaft-RH assly.	1	1	--	--	
8	24 1704 25	Pin for propeller shaft	4	4	--	--	
9	AL 1710 65	Slider block	8	8	--	--	
10	BG 1412 52	Rubber buffer- flange side	2	2	--	--	
11	BG 1412 53	Rubber buffer- wheel side	2	2	--	--	
12	24 1310 74	Bellow	3	3	--	--	
13	BG 1412 54	Bellow	1	1	--	--	
14	BB1310 24	Clamp -2	4	4	--	--	
15	39 1182 15	Nut	2	2	--	--	
16	24 1710 66	Spring clip	2	2	--	--	
17	24 1310 98	Nipple -grease	2	2	--	--	

BA - COMPACT
BA - COMPACT THL
BH - OPTIMA
BB - MAXIMA

PLATE NO. 31a : DRIVE SHAFT CV

RE COMPACT,OPTIMA
& MAXIMA DIESEL

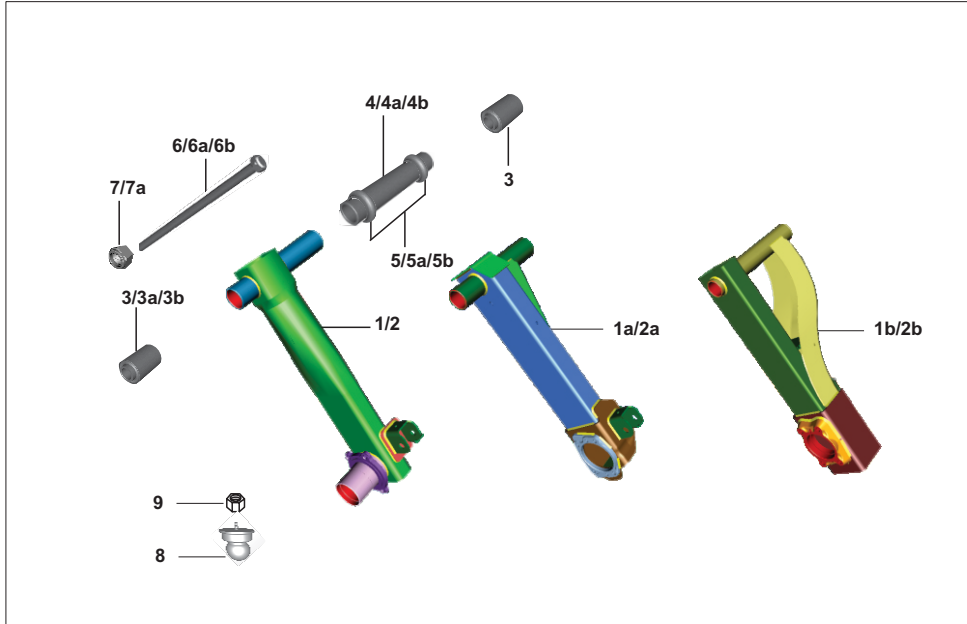


No.	Part No.	Description	BA	BA	BH	BB	Remarks
1	BH 1412 25	Assembly drive shaft - RH	--	--	1	--	From-27.08.13
1	BB 1330 96	Assembly drive shaft -RH	--	--	--	1	From-2.10.13
2	BH 1412 24	Assembly drive shaft - LH	--	--	1	--	From-27.08.13
2	BB 1330 95	Assembly drive shaft - LH	--	--	--	1	From-2.10.13
3	BH 5518 00	Clip lock drive shaft	--	--	2	2	
4	BH 5514 20	Plug	--	--	1	1	
5	BH 5514 21	Dustshield	--	--	1	1	
6	BH 5514 09	Spring	--	--	2	2	
7	36 BH00 06	Kit Boot	--	--	1	1	J,I,K,M
8	36 BH00 07	Kit Boot & retainer	--	--	1	1	J,I,K,M,G,H
9	36 BH00 08	Kit OBJ	--	--	1	--	C,I,K,M
9	36 BH00 09	Kit OBJ	--	--	--	1	C,I,K,M
10	36 BH00 10	Kit OBJ & tripod	--	--	1	--	C,I,K,M,E,F,D
10	36 BH00 11	Kit OBJ & tripod	--	--	--	1	C,I,K,M,E,F,D
11	36 BH00 30	Kit IBJ	--	--	1	1	L,I,K,M
12	36 BH00 31	Kit IBJ & tripod	--	--	1	1	L,I,K,M,E,F,D
13	36 BH00 14	Kit Barshaft LH	--	--	1	--	A,D,I,K
13	36 BH00 17	Kit Barshaft LH	--	--	--	1	A,D,I,K
14	36 BH00 15	Kit Barshaft RH	--	--	1	--	B,D,I,K
14	36 BH00 18	Kit Barshaft RH	--	--	--	1	B,D,I,K
15	36 BH00 19	Kit roller (3 nos)	--	--	1	1	F.

BA - COMPACT
BA - COMPACT THL
BH - OPTIMA
BB - MAXIMA

PLATE NO. 32 : TRAILING ARM

RE COMPACT,OPTIMA
& MAXIMA DIESEL

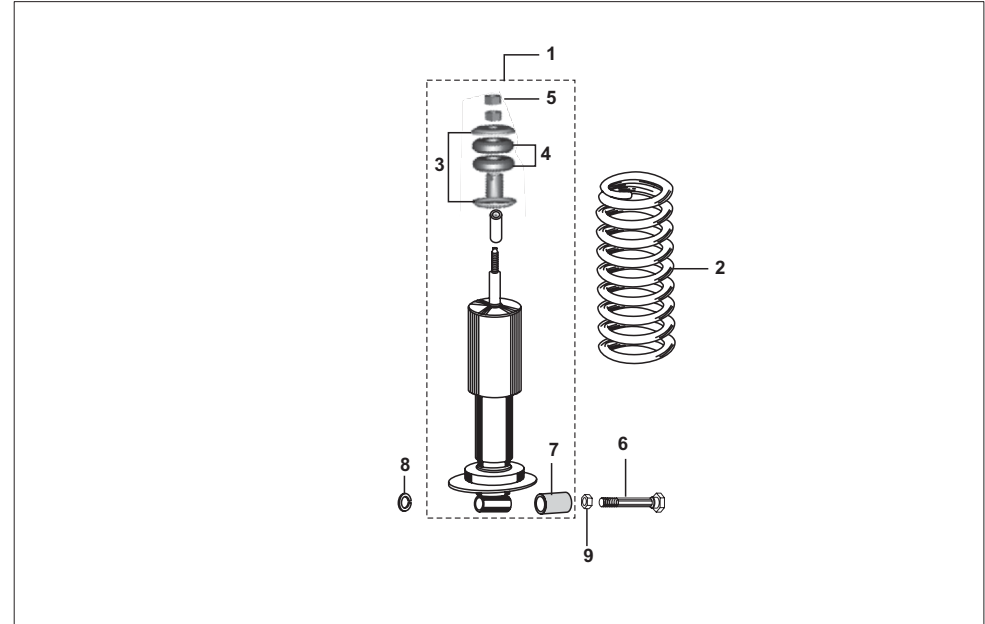


No.	Part No.	Description	BA	BA	BH	BB	Remarks
1	24 1711 79	Trailing arm Assly LH	1	1	-	-	
2	24 1711 80	Trailing arm assembly RH	1	1	-	-	
1a	BH 1220 05	Trailing arm Assly LH	--	--	1	-	
2a	BH 1220 06	Trailing arm assembly RH	--	--	1	-	
1b	BB 1710 08	Assembly rear trailing arm RH	--	--	-	1	
2b	BB 1710 07	Assembly rear trailing arm LH	--	--	-	1	
3	AA 1710 06	Bush-silent for trailing arm	2	2	2	-	
3a	AL 1710 11	Bush - silent for trailing arm	--	--	-	2	
4	Aa 1710 22	Distance piece assly	2	2	-	-	
4a	AA 1710 07	Distance piece assly	--	--	2	-	
4b	AL 1710 12	Distance piece	--	--	-	2	
5	Aa 1710 24	Spacer ring-dist.piece	4	4	--	--	
5a	AA 1710 09	Spacer ring-dist.piece	--	--	4	--	
5b	AL 1710 14	Spacer ring	--	--	-	4	
6	AA 1710 11	Pivot pin trailing arm	2	2	-	-	
6a	BH 1220 02	Pivot pin trailing arm	--	--	2	-	
6b	AL 1710 20	Pivot pin	--	--	--	2	alt:AL171020
7	39 2607 15	Nut	2	2	2	2	
7a	39 0303 15	Nut m14 - ta	--	--	-	2	
8	AL 1710 17	Damper rubber-rear suspension	--	--	-	2	
9	39 0690 15	Nut - nyloc - M8	--	--	-	2	

BA - COMPACT
BA - COMPACT THL
BH - OPTIMA
BB - MAXIMA

PLATE NO. 33 : REAR SHOCK ABSORBER

RE COMPACT,OPTIMA
& MAXIMA DIESEL

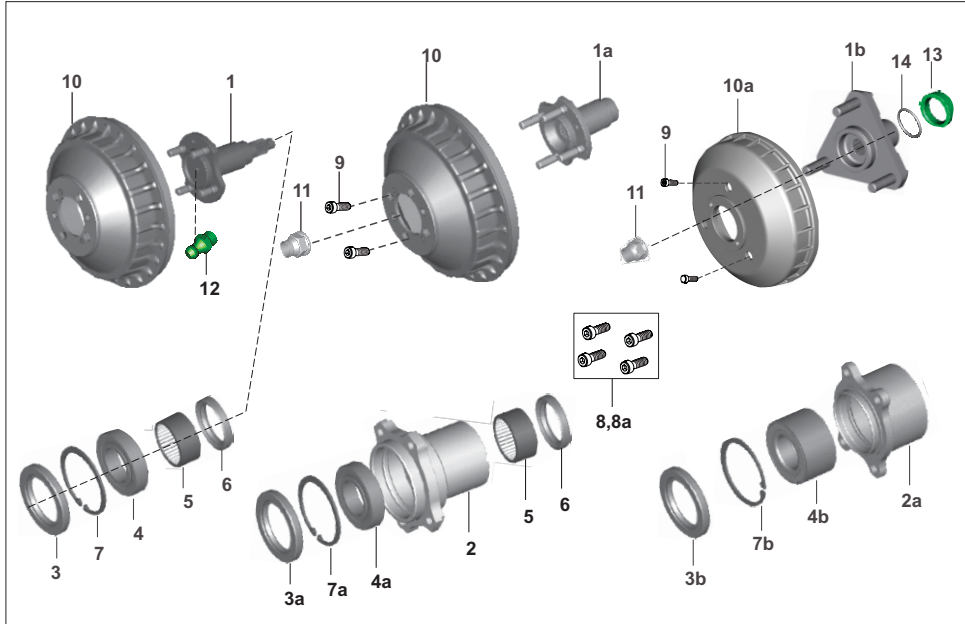


No.	Part No.	Description	BA	BA	BH	BB	Remarks
1	BA 1710 09	Rear shock absorber assembly	2	2	2	-	
1	AL 1710 31	Rear shock absorber	--	--	-	2	
2	BA 1710 05	Rear suspension spring	2	2	-	-	
2	BH 1220 00	Rear suspension spring	--	--	2	-	
2	BB 1710 27	Rear suspension spring	--	--	-	2	
3	BA 1710 08	Cup washer top side	1	1	1	1	
4	BA 1710 07	Rubber bush with cup washer	4	4	4	4	
5	39 1336 15	Nut(w/o plating)	--	--	-	4	
5	KC AD14 11	Nut hex thick	2	2	2	2	
6	24 1705 07	Bolt for shock absorber	2	2	2	2	
7	24 1710 49	Mounting rubber with sleeve	2	2	2	-	
7	AL 1710 36	Rubber - mounting / sleeve	--	--	-	2	
8	39 1827 12	Spring washer	2	2	2	2	
8	39 0269 12	Spring washer	2	2	2	2	
9	39 2607 15	Nut - nyloc - m12 x 1.5	2	2	2	2	

BA - COMPACT
BA - COMPACT THL
BH - OPTIMA
BB - MAXIMA

PLATE NO. 34 : REAR HUB & AXLE

RE COMPACT,OPTIMA
& MAXIMA DIESEL

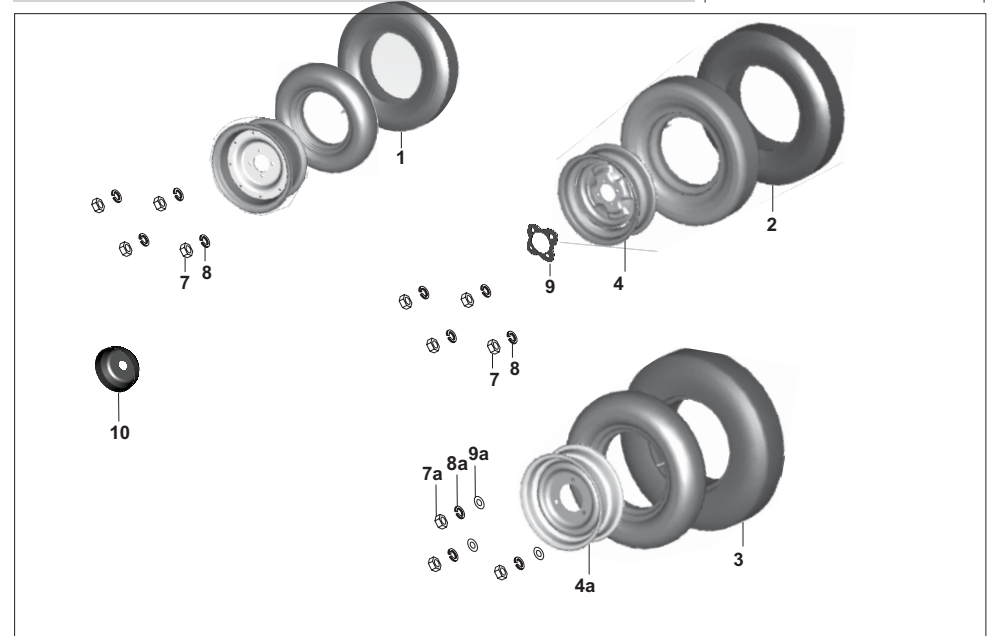


No.	Part No.	Description	BA	BA	BH	BB	Remarks
1	24 1711 18	Axle assembly RR wheel	2	2	-	-	
1a	BH 1312 04	Assembly drive flange	--	--	2	-	
1b	BB 1510 36	Assembly drive flange	--	--	-	2	
2	BH 1312 03	Rear hub	--	--	2	-	
2a	BB 1510 30	Rear hub	--	--	-	2	
3	24 1710 24	Seal - oil 48 dia.	2	2	-	-	
3a	BF 1317 23	Seal 41x60x7	--	--	2	-	
3b	BB 1510 34	Seal	--	--	-	2	
4	01 1003 42	Bearing ball	2	2	-	-	
4a	BF 1317 22	Bearing 30X55X13-RR Hub	--	--	2	-	
4b	BB1510 31	Bearing 30X55X13-RR Hub	--	--	-	2	
5	59 2000 12	Bearing - needle (SL 35 20)	2	2	2	-	
6	22 1710 07	Seal - oil	2	2	2	-	
7	39 0342 17	Internal circlip	1	1	-	-	
7a	KE BB55 20	Circlip	--	--	1	-	
7b	KE BB68 25	Circlip	--	--	-	1	
8	LA C000 35	Bolt-socket-m8	--	--	8	-	
8a	LA C000 44	Bolt - Socket - M-8	--	--	-	8	
9	KB CA04 10	Screw Csk Cross	4	4	4	-	
10	22 1511 06	Brake drum RR	2	2	2	-	
10a	AL 1511 51	Brake drum RR	--	--	-	2	
11	BF1317 07	Nut axle M16	--	--	2	2	
12	24 1710 75	Nipple - grease	1	1	-	-	
13	BB 1331 07	Sleeve drive shaft	--	--	-	2	
14	KJ AA30 35	O ring	--	--	-	2	
15	AI 1710 27	Circlip for AL151151	--	--	-	1	NI
16	39 1791 04	Bolt flanged	--	--	-	2	
17	KD Ba16 32	Washer plain	--	--	-	1	

BA - COMPACT
BA - COMPACT THL
BH - OPTIMA
BB - MAXIMA

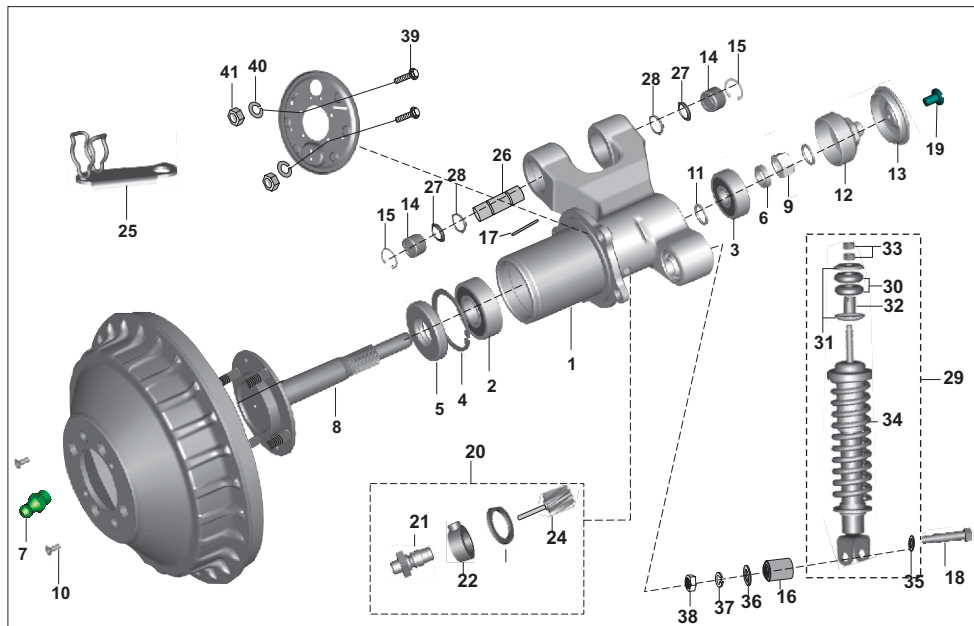
PLATE NO. 35 : REAR WHEEL

RE COMPACT,OPTIMA
& MAXIMA DIESEL



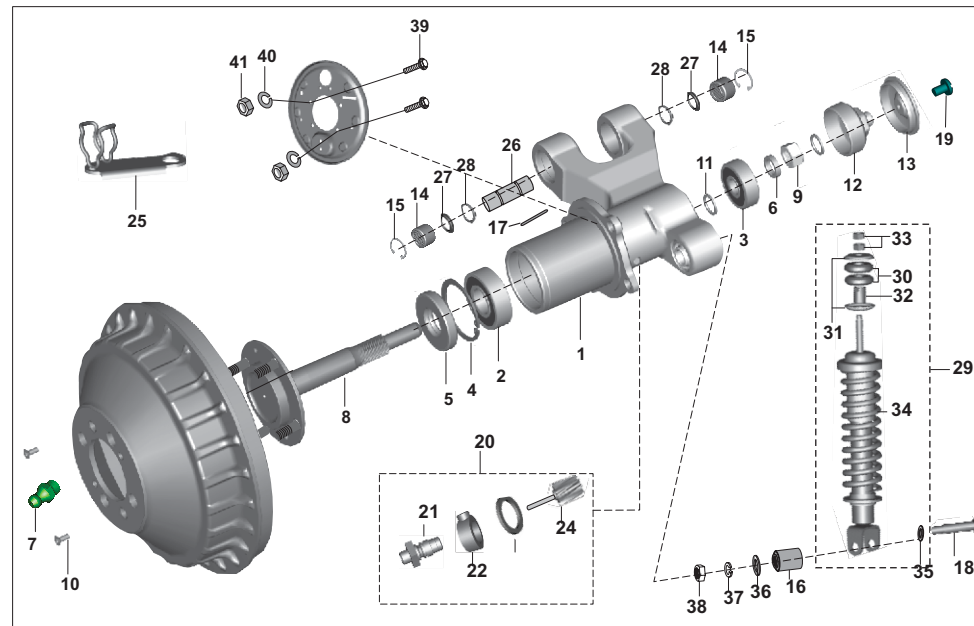
No.	Part No.	Description	BA	BA	BH	BB	Remarks
1	22 1510 68	Tyre with tube	4	4	-	-	
2	BH 1310 10	Tyre with tube 6-pr	--	--	4	-	
3	AL 1510 17	Tyre with tube 4.5 x 10	--	--	--	4	
4	BH 1310 02	Assembly wheel rim 3.0b x 10	--	--	4	-	
4a	AL 1510 14	Rim assy-wheel with central part	--	--	-	4	
4b	AL 1512 46	Assly rim	--	--	-	-	
5	39 0956 15	Nut -rim	8	8	-	-	NI
5a	39 0312 15	Nut -rim	--	--	8	-	NI
6	39 1828 12	Washer spring-rim nut	8	8	--	-	NI
6a	39 1829 12	Washer spring-rim nut	--	--	8	-	NI
7	39 0312 15	Wheel nut	4	4	4	-	
7a	39 2538 15	Wheel nut	--	--	-	3	
7b	AL 1512 52	NUT CONICAL M12	--	--	-	-	
8	39 1829 12	Washer spring- wheel	4	4	4	-	
8a	39 0737 12	Washer - spring	--	--	-	3	
9	BH 1312 11	Washer plain special	--	--	3	-	
9a	39 0714 11	Washer - Plain	--	--	-	3	
10	BH 1314 05	Cap anti-theft	--	--	1	-	
11	BH 1312 06	Cap hub rear	--	--	2	2	NI

BA - COMPACT
BA - COMPACT THL
BH - OPTIMA
BB - MAXIMA



No.	Part No.	Description	BA	BA	BH	BB	Remarks
1	24 1711 36	Hub front wheel	1	-	-	--	
1	AA 1510 47	Hub front wheel	-	1	-	--	
2	39 2550 20	Bearing -ball:	1	1	-	--	
3	39 2362 20	Bearing - ball :- 12 x 37 x 12	1	1	-	--	
4	KE BB47 17	Circlip 47x17	1	1	-	--	
5	22 1701 15	Seal - oil	1	1	-	--	
6	AA 1510 49	Spacer	1	1	-	--	
7	CL 1810 24	Nipple - grease	1	1	-	--	
8	AB 1710 34	Axle assembly - wheel FR	1	-	-	--	
8	24 1512 66	Assembly axle front wheel	-	1	-	--	
9	59 1500 03	U nut m12	1	1	-	--	
10	KB CA04 10	Screw csk cross	2	2	-	--	
11	22 1701 17	Spacer	1	1	-	--	
12	AB 1710 22	Cup - grease :- nut	1	1	-	--	
13	AB 1710 23	Cap - front wheel hub	1	1	-	--	
14	AB 1710 20	Bush - needle	2	2	-	--	
15	39 2357 17	Circlip - internal	2	2	-	--	
16	AB 1710 16	Bush assey-fr sh ab mtg	1	1	-	--	
17	03 1701 09	Pin	1	1	-	--	
18	AB 1710 31	Bolt for shmounting	1	1	-	--	
19	KB TA04 06	Screw pan - slotted :- m4 x 0.7	1	1	-	--	

BA - COMPACT
BA - COMPACT THL
BH - OPTIMA
BB - MAXIMA

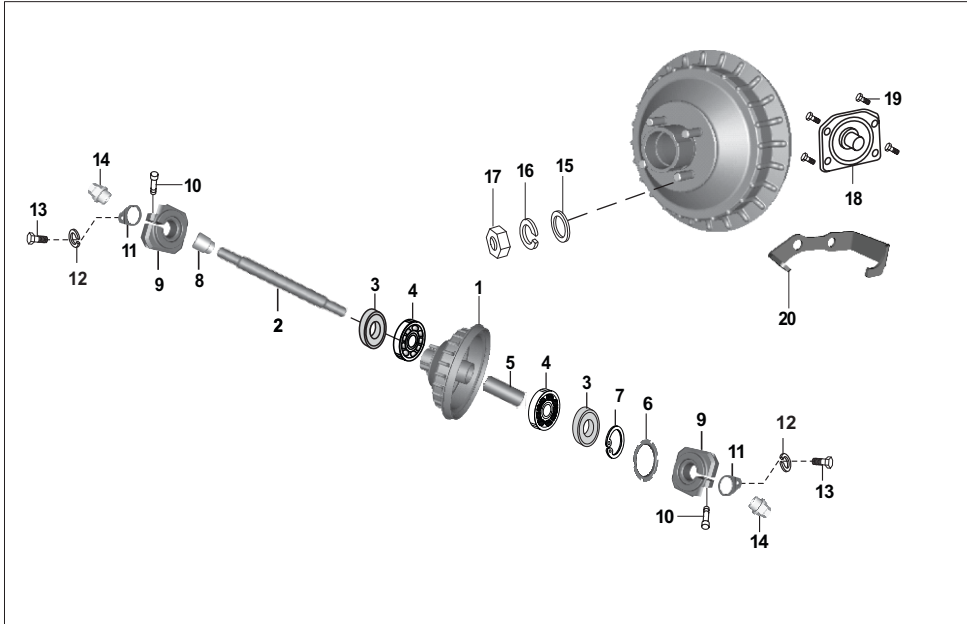


No.	Part No.	Description	BA	BA	BH	BB	Remarks
20	05 1903 01	Drive complete - speedometer	1	-	-	--	
21	05 1910 05	Support	1	-	-	--	
22	06 1910 61	Lubricator assembly	1	-	-	--	
24	05 1903 02	Gear assembly - nylon	1	-	-	--	
25	24 1512 47	Assembly bracket guide hose	1	1	-	--	
26	24 1711 29	Pin pivot	1	1	-	--	
27	24 1711 38	Spacer	2	2	-	--	
28	30 1011 85	Ring - o	2	2	-	--	
29	AB 1710 44	Sh assy comp FR	1	1	-	--	
30	AB 1710 13	Bush - top rubber	2	2	-	--	
31	AB 1710 14	Cup - locating top rubb	2	2	-	--	
32	AB 1710 15	Spacer nut spring cup	1	1	-	--	
33	39 0295 15	Hexagon nut-m9x1.25	2	2	-	--	
34	AB 1710 17	Spring - fr suspension	1	1	-	--	
35	39 0543 11	Plain washer	1	1	-	--	
36	39 1054 11	Plain washer	1	1	-	--	
37	39 0789 12	Washer spring	1	1	-	--	
38	39 0296 15	Hexagon nut	1	1	-	--	
39	24 1711 17	Bolt hexagon wtht flange	4	4	-	--	
40	39 0789 12	Washer spring	4	4	-	--	
41	39 0694 15	Hex nut	4	4	-	--	
42	22 1701 18	Spacer	1	1	-	--	

BA - COMPACT
BA - COMPACT THL
BH - OPTIMA
BB - MAXIMA

PLATE NO. 37 : FRONT BRAKE DRUM

RE COMPACT,OPTIMA
& MAXIMA DIESEL

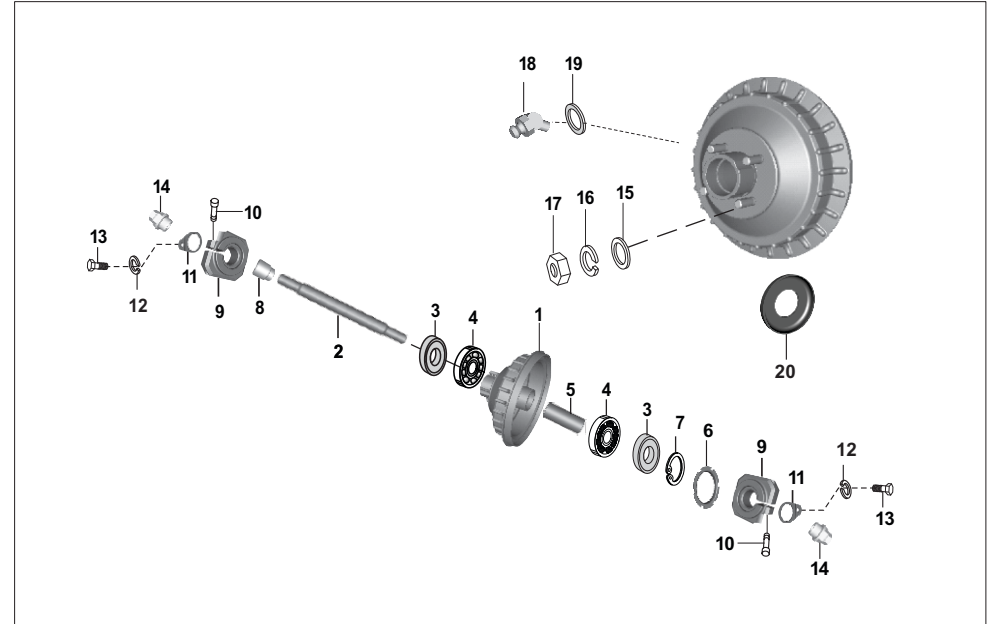


No.	Part No.	Description	BA	BA	BH	BB	Remarks
1	BH 1318 09	Fr. Brake drum with studs	--	--	1	--	
2	AP 1510 02	Front wheel axle	--	--	1	--	
3	39 1737 19	Seal - Oil :- 26 X 42 X 8	--	--	2	--	
4	39 2240 20	Ball Bearing	--	--	2	--	
5	AP 1510 25	Distance piece assly	--	--	1	--	
6	AL 1510 07	Collar	--	--	1	--	
7	39 2464 17	Circlip	--	--	1	--	
8	BH 1316 00	Spacer assly.	--	--	1	--	
9	AL 1510 89	Special nut-M16	--	--	2	--	
10	39 2038 04	Hex socket head bolt	--	--	4	--	
11	AL 1510 12	Locking Clip	--	--	2	--	
12	39 0263 12	Spring washer	--	--	2	--	
13	39 1079 01	Hex head screw	--	--	2	--	For locking clip
14	AL 1510 11	Collar nut	---	--	2	--	
15	39 11 80 11	Plain washer	--	--	4	--	
16	39 1829 12	Spring washer	--	--	4	--	
17	39 0312 15	Hex nut.	--	--	4	--	
18	AP 1510 31	Flange backplateFR	--	--	1	--	
19	39 2534 04	Bolt - hexagon head M8	--	--	4	--	
20	KJ AA20 24	O ring	--	--	2	--	
21	BH 1310 11	Bracket hose guide front	--	--	1	--	

BA - COMPACT
BA - COMPACT THL
BH - OPTIMA
BB - MAXIMA

PLATE NO. 37a : FRONT BRAKE DRUM

RE COMPACT,OPTIMA
& MAXIMA DIESEL

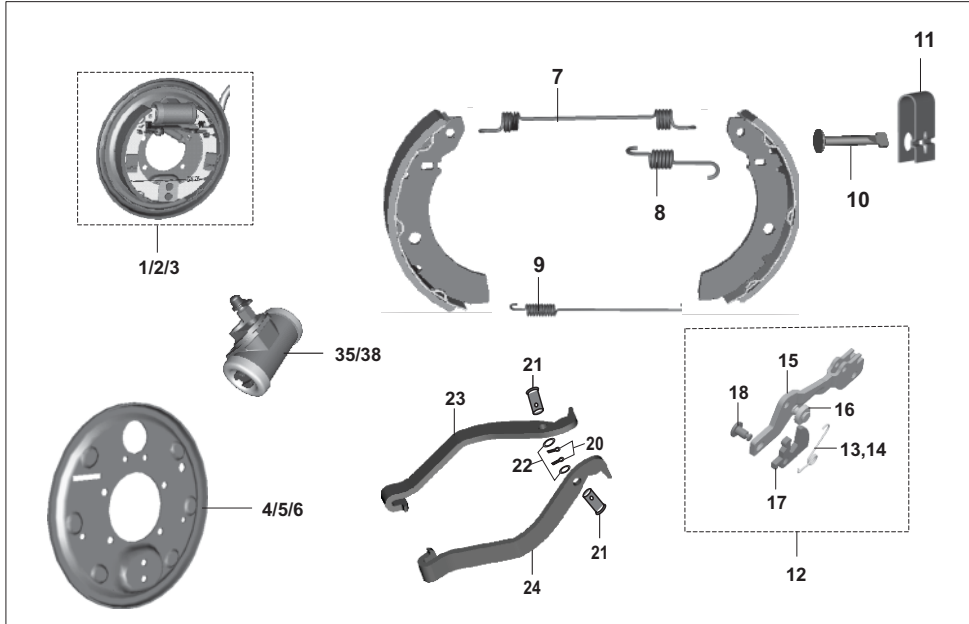


No.	Part No.	Description	BA	BA	BH	BB	Remarks
1	AL 1510 93	Fr. Brake drum with studs	--	--	--	1	
2	AL 1510 04	Front Wheel Axle	--	--	--	2	
3	39 1737 19	Seal - Oil :- 26 X 42 X 8	--	--	--	2	
4	39 2465 20	Ball bearing	--	--	--	1	
5	AL 1510 05	Distance piece assly	--	--	--	1	
6	AL 1510 07	Collar	--	--	--	1	
7	39 2464 17	Circlip	--	--	--	1	
8	AL 1510 08	Spacer assly.	--	--	--	2	
9	AL 1510 89	Special nut-M16	--	--	--	4	
10	39 2038 04	Hex socket head bolt	--	--	--	2	
11	AL 1510 12	Locking clip	--	--	--	2	
12	39 0263 12	Spring washer	--	--	--	2	
13	39 1079 01	Hex head screw	--	--	--	2	
14	AL 1510 11	Collar nut	--	--	--	4	
15	39 1180 11	Plain washer	--	--	--	4	
16	39 1829 12	Spring washer	--	--	--	4	
17	39 2538 15	Hex nut.	--	--	--	2	
18	35 1710 33	Nipple grease	--	--	--	2	
19	39 0740 11	Washer non metallic	--	--	--	2	
20	AL 1510 10	Cover - dust	--	--	--	1	

BA - COMPACT
BA - COMPACT THL
BH - OPTIMA
BB - MAXIMA

PLATE NO. 38: AUTO ADJUSTER BRAKE SYSTEM

RE COMPACT,OPTIMA
& MAXIMA DIESEL

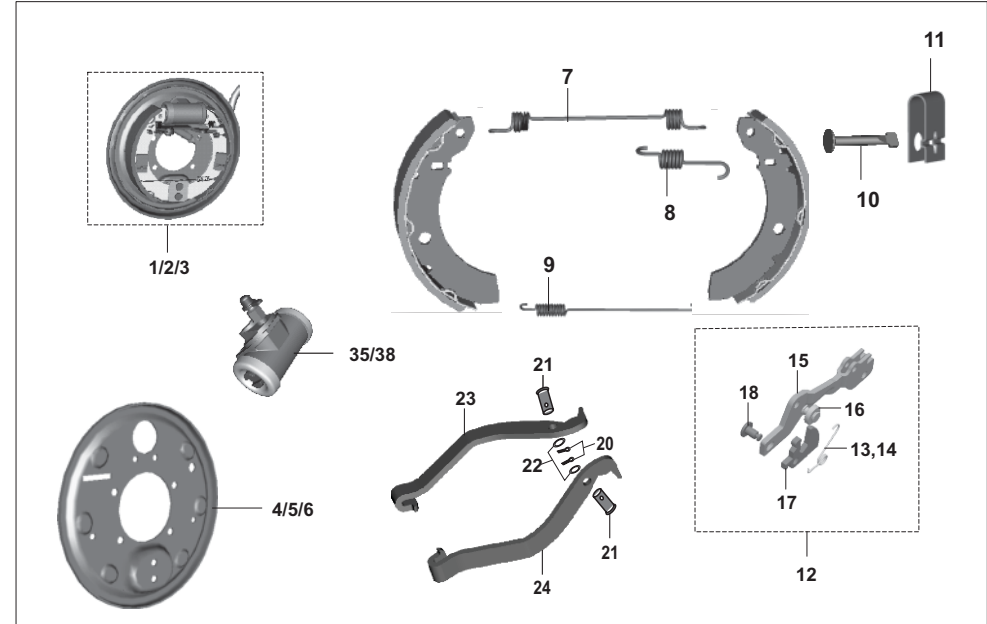


No.	Part No.	Description	BA	BA	BH	BB	Remarks
1	BH 1310 06	Panel assembly FR	--	--	1	--	
1a	24 1512 43	Panel assembly FR brake	1	1	--	--	
2	BH 1312 13	Panel assly RH	1	1	1	--	
3	BH 1312 12	Panel assly LH	1	1	1	--	
4	AP 1510 17	Back panel assly FR	1	1	1	--	
5	24 1511 74	Back plate assly. LH	1	1	1	--	
6	24 1511 78	Back panel assly RH	1	1	1	--	
7	24 1511 33	Main spring	3	3	3	--	NS
8	24 1511 34	Spring strut holding LH	1	1	1	--	NS
8a	24 1511 53	Spring strut holding RH	1	1	1	--	NS
9	24 1511 35	Spring shoe holding	1	1	1	--	NS
10	24 1511 37	Pin pivot shoe	2	2	2	--	NS
11	24 1511 38	Spring shoe clamping	2	2	2	--	NS
12	24 1511 68	Auto adjuster assly FR	1	1	1	--	
12a	24 1511 79	Auto adjuster assly RH	1	1	1	--	
12b	24 1511 75	Auto adjuster assly LH	1	1	1	--	
13	24 1511 32	Spring strut LH	1	1	1	--	NS
14	24 1511 52	Spring strut RH	1	1	1	--	NS
15	24 1511 29	Strut plate FR.	1	1	1	--	NS
15a	24 1511 44	Strut plate LH	1	1	1	--	NS
15b	24 1511 51	Strut plate RH	1	1	1	--	NS
16	24 1511 31	Pinion	3	3	3	--	NS
17	24 1511 30	Plate ratchet	1	1	1	--	NS
18	24 1511 39	Pin ratchet	1	1	1	--	NS
19	24 1512 68	brake shoe kit (ask lining)	3	3	3	--	Bh131824 - 2nos+10,11

BA - COMPACT
BA - COMPACT THL
BH - OPTIMA
BB - MAXIMA

PLATE NO. 38 : AUTO ADJUSTER BRAKE SYSTEM

RE COMPACT,OPTIMA
& MAXIMA DIESEL

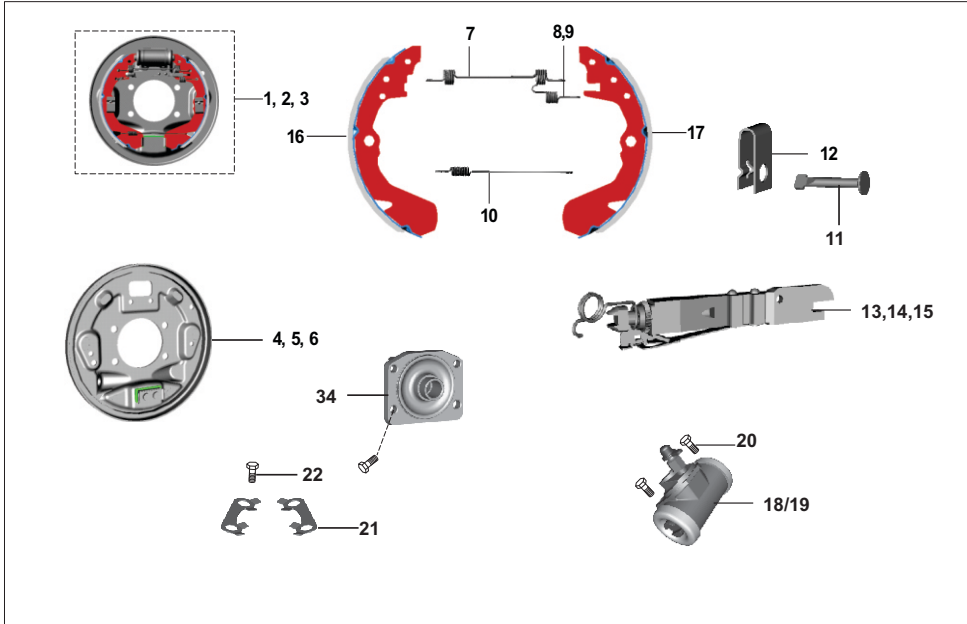


No.	Part No.	Description	BA	BA	BH	BB	Remarks
20	24 1511 47	Pin split - hbl	2	2	2	--	NS
21	24 1511 46	Pin pivot-park lever	1	1	1	--	NS
22	24 1511 48	Washer- plain park lever	1	1	1	--	
23	BH 1318 13	Lever parking brake LH	1	1	1	--	
24	BH 1318 14	Lever parking brake RH	1	1	1	--	
25	24 1511 69	Strut assly front complete	1	1	1	--	Inc-13,15,16,17,18
26	24 1511 76	Strut asslt LH complete	1	1	1	--	Inc-13,15a,16,17,18
27	24 1511 80	Strut asslt RH complete	1	1	1	--	Inc-14,15b,16,17,18,9
28	24 1511 72	Shoe clamp spring kit	3	3	3	--	Inc-10,11
29	24 1511 82	Spring kit	3	3	3	--	Inc-7,8a
30	24 1511 70	Ratchet kit for fr & LH	2	2	2	--	Inc-13,17,18
31	24 1511 81	Ratchet kit RH	1	1	1	--	Inc-14,17,18
32	24 1511 77	Lever parking brake LH	1	1	1	--	Inc-20,21,22,23
33	24 1511 83	Lever parking brake RH	1	1	1	--	Inc-20,21,22,24
34	AL 1510 54	Bolt	2	2	2	--	
35	24 1511 63	Wheel cylinder FR	1	1	1	--	
36	24 1511 07	Major kit	1	1	1	--	
37	24 1511 08	Minor kit	1	1	1	--	
38	24 1511 64	Wheel cylinder RR	1	1	1	--	
39	24 1511 13	Major kit	1	1	1	--	
40	24 1511 14	Minor kit	1	1	1	--	
41	AB 1510 79	Screw - bleeder	1	1	--	--	
42	AB 1511 00	Cap - bleeder	1	1	--	--	
43	AL 1510 52	Cap - bleeder 64	1	1	1	--	
44	24 1511 71	Brake shoe kit with spring	1	1	1	--	1Inc-19,28

BA - COMPACT
BA - COMPACT THL
BH - OPTIMA
BB - MAXIMA

PLATE NO.39 : BRAKE ASSEMBLY

RE COMPACT,OPTIMA
& MAXIMA DIESEL

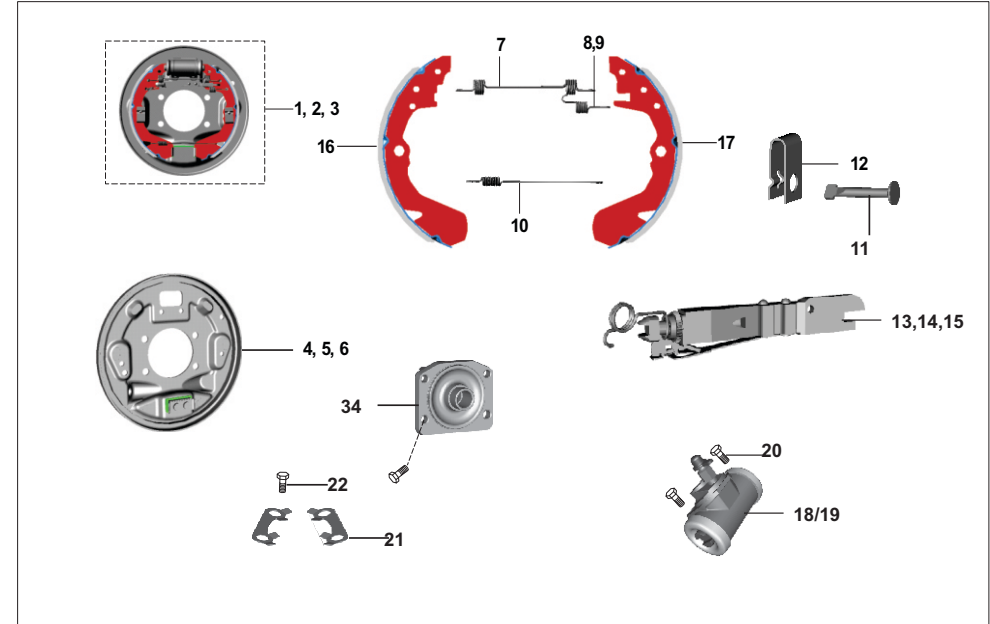


No.	Part No.	Description	BA	<u>BA</u>	BH	BB	Remarks
1	BB 1510 53	Assembly brake panel with flange	--	--	--	1	
2	BB 1510 56	Panel assly RH	--	--	--	1	
3	BB 1510 55	Panel assly LH	--	--	--	1	
4	AL 1511 92	Back panel assly FR	--	--	--	1	
5	BB 1510 43	Back panel assly RH	--	--	--	1	
6	BB 1510 42	Back plate assly. LH	--	--	--	1	
7	AL 1511 95	Main spring	--	--	--	1	NS
8	AL 1511 97	Spring strut holding LH & FR	--	--	--	1	NS
9	AL 1511 98	Spring strut holding RH	--	--	--	1	NS
10	AL 1511 96	Spring shoe holding	--	--	--	1	NS
11	AL 1512 02	Pin pivot shoe	--	--	--	1	NS
12	AL 1512 01	Spring shoe clamping	--	--	--	1	NS
13	AL 1511 94	Auto adjuster assly front	--	--	--	1	
14	AL 1512 12	Auto adjuster assly RH	--	--	--	1	
15	AL 1512 11	Auto adjuster assly LH	--	--	--	1	
16	BB 1510 60	Brake shoe assembly leading	--	--	--	3	NS
17	BB 1510 57	Br. Shoe Assy Trail W/O HBL	--	--	--	1	NS
17a	BB 1510 58	Brake shoe assly Trai W HBL LH	--	--	--	1	NS
17b	BB 1510 59	Brake shoe assly Trai W HBL RH	--	--	--	1	NS
18	AL 1512 10	Assy wheel cylinder rear RH	--	--	--	1	
19	AL 1511 93	Assy wheel cylinder FR	--	--	--	1	
20	AL 1512 05	Bolt wheel cylinder Mtg.	--	--	--	2	

BA - COMPACT
BA - COMPACT THL
BH - OPTIMA
BB - MAXIMA

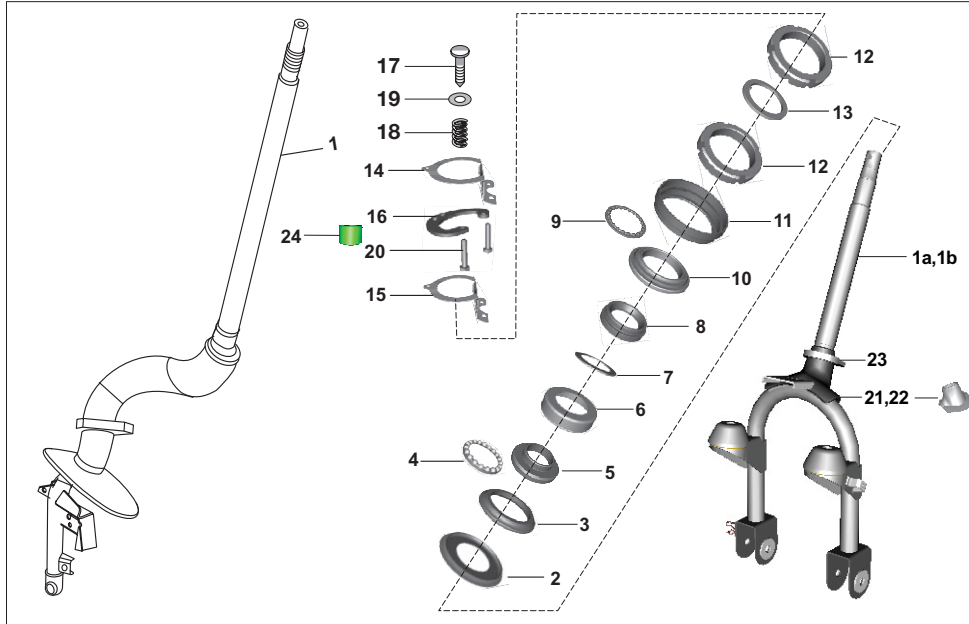
PLATE NO.39 : BRAKE ASSEMBLY

RE COMPACT,OPTIMA
& MAXIMA DIESEL



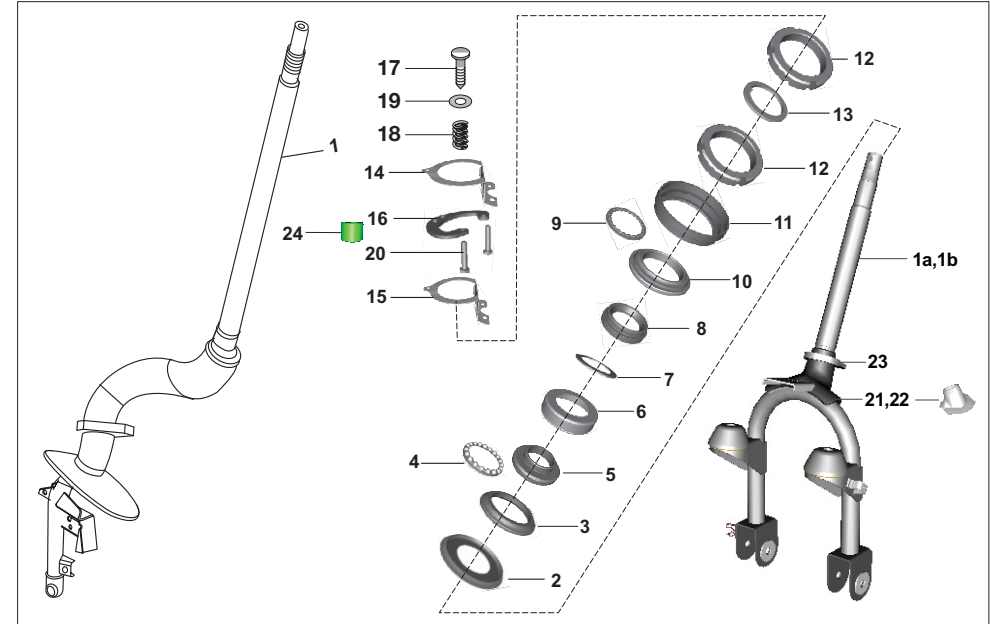
No.	Part No.	Description	BA	<u>BA</u>	BH	BB	Remarks
21	AL1710 53	Lock plate	--	--	--	2	
22	39 0423 04	Bolt-lock plate	--	--	--	4	
23	BF 1319 05	Washer spring	--	--	--	3	
24	BF 1319 04	Plug protection	--	--	--	3	
25	BB 1510 65	Wheel cylinder major kit	--	--	--	3	
26	BB 1510 66	Wheel cylinder minor kit	--	--	--	3	
27	BB 1510 67	Brake leading kit	--	--	--	1	inc-11,12,16
28	BB 1510 68	Brake shoe trailing fr kit	--	--	--	1	inc-11,12,17
29	BB 1510 69	Brake shoe trailing- hbl lh kit	--	--	--	2	inc-11,12,17a
30	BB 1510 70	Brake shoe trailing-hbl rh kit	--	--	--	2	inc-11,12,17
31	BB 1510 64	Shoe clamp spring kit	--	--	--	3	inc-11,12
32	BB 1510 62	Spring kit fr. Lh	--	--	--	3	inc-7,8,10
33	BB 1510 63	Spring kit rh	--	--	--	3	inc-10,7,9
34	AL 1510 27	Flange backplate fr	--	--	--	1	

BA - COMPACT
BA - COMPACT THL
BH - OPTIMA
BB - MAXIMA



No.	Part No.	Description	BA	<u>BA</u>	BH	BB	Remarks
1	24 1811 60	Steering column assembly	1	-	-	-	
1	AA 1710 25	Steering column assembly	--	1	-	-	
1	AA 1710 27	Steering column assembly	--	1	-	-	
1a	BH 1510 01	Fork assembly	-	-	1	-	
1b	BB 1810 07	Fork assembly	--	-	-	1	
2	AA 1810 23	Dust cover bottom	1	1	-	-	
2	BH 1510 07	Cover dust lower	--	-	1	-	
2	AL 1810 06	Cover dust lower	--	-	-	1	
3	AA 1810 22	Bearing race lower	1	1	1	-	
3	AL 1810 04	Bearing race lower	-	-	-	1	
4	AB 1810 12	Steel ball with cage lower	1	1	1	-	
4	AL 1810 07	Balls with cage lower	--	-	-	1	
5	AB 1810 33	Bearing race lower outer	1	1	1	-	
5	AL 1810 03	Bearing race lower outer	--	-	-	1	
6	BH 1510 08	Dust cover top bearing	1	1	1	-	
6	AL 1810 05	Dust cover top	-	-	-	1	
7	BH 1510 09	Spacer fork front	1	1	1	-	
7	BB 1810 10	Spacer fork front	--	-	-	1	
8	AB 1810 19	Bearing race upper outer	1	1	1	1	
9	AB 1810 17	Steel ball with cage upper	1	1	1	-	
9	AL 1810 09	Steel ball with cage upper	--	-	-	1	

BA - COMPACT
BA - COMPACT THL
BH - OPTIMA
BB - MAXIMA

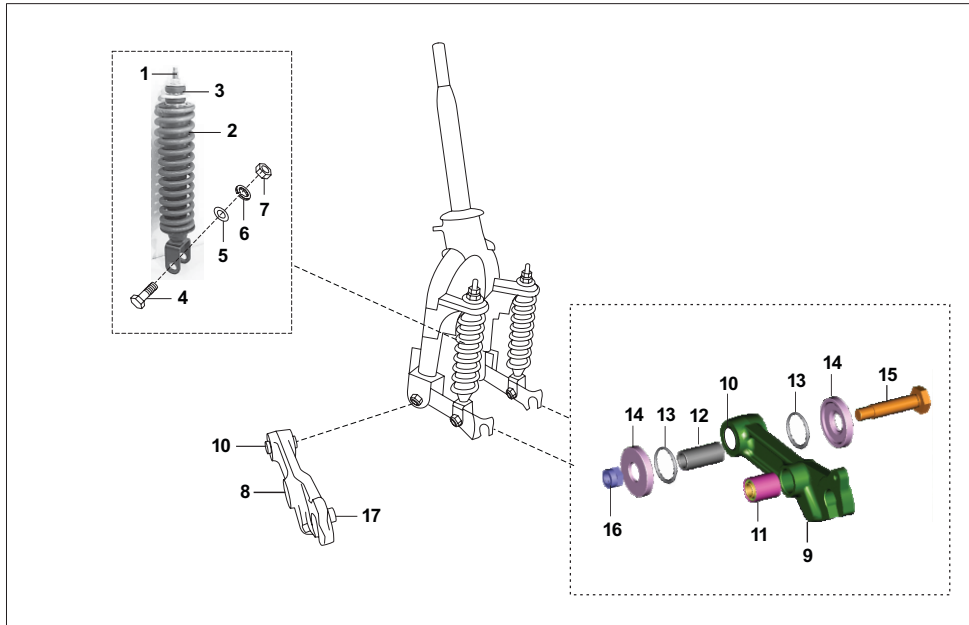


No.	Part No.	Description	BA	<u>BA</u>	BH	BB	Remarks
10	24 1810 46	Bearing race upper inner	1	1	1	1	
11	24 1614 43	Dust Cover	1	1	1	1	
12	24 1810 47	Lock ring upper race	2	2	2	2	
13	AB 1810 20	Spacer washer bearing	1	1	1	1	
14	AB 1810 23	Plate upper	1	1	1	1	
15	AB 1810 22	Plate assly lower	1	1	1	1	
16	22 1810 58	Steering lock plate assly	1	1	1	1	
17	21 1803 07	Knob	1	1	1	1	
18	21 1803 08	Spring	1	1	1	1	
19	39 0198 11	Washer plain	1	1	1	1	
20	KA AD05 20	Bolt	2	2	2	-	
20	KA AD05 25	Bolt	--	--	--	2	
21	BH 1110 56	Rubber flap / bellow	--	--	1	-	
22	BB 1611 07	Rubber flap / bellow	--	--	-	1	
23	BH 1210 02	Strap Cable (210x6)	--	-	1	-	
24	24 1811 61	Spacer dampening plate	2	2	2	-	
24	Bb 1510 52	Spacer dampening plate	-	-	-	2	

BA - COMPACT
BA - COMPACT THL
BH - OPTIMA
BB - MAXIMA

PLATE NO.41 : FRONT SHOCK ABSORBER & LINKAGE

RE COMPACT,OPTIMA
& MAXIMA DIESEL

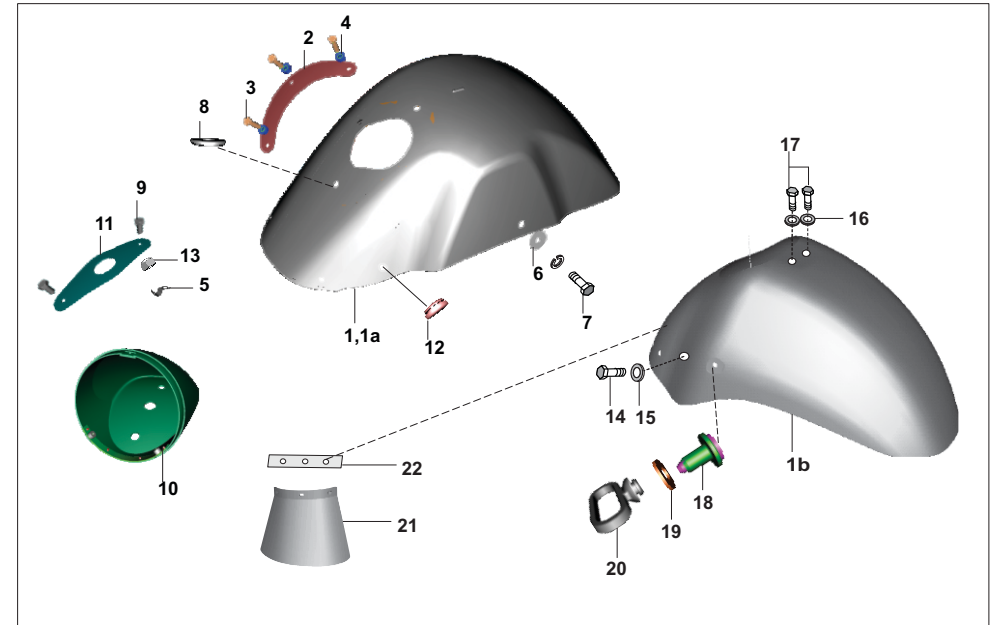


No.	Part No.	Description	BA	<u>BA</u>	BH	BB	Remarks
1	BH 1210 04	Assembly Fr. Damper	--	--	2	--	
1	AL 1710 47	Assembly Fr. Damper	--	--	--	2	
2	BH 1210 05	Spring Fr. suspension	--	--	2	--	
2	AL 1710 45	Spring Fr. suspension	--	--	--	2	
3	AL 1710 67	Rubber Bush	--	--	2	2	
4	39 2516 04	Shoulder bolt	--	--	2	2	
5	39 1054 11	Plain washer	--	--	2	2	
6	39 0789 12	Spring washer	--	--	2	2	
7	39 0296 15	Hexagon Nut	--	--	2	2	
8	AL 1710 93	Link-RH assembly	--	--	1	1	
9	AL 1710 91	Link-LH assembly	--	--	1	1	
10	AL 1710 95	Bearing sleeve-Igus bush	--	--	2	2	
11	AB 1710 16	Bush	--	--	2	2	
12	AL 1710 81	Bush link pivot	--	--	2	2	
13	39 1564 21	"O" Ring	--	--	4	2	
14	AL 1711 04	Cap Link pivot	--	--	4	4	Igus bush
15	AL 1710 51	Bolt For Link pivot	--	--	2	2	Link LH & RH
16	39 0939 15	Hex nyloc nut	--	--	2	2	Link LH & RH
17	AL 1710 58	Locking Pin	--	--	2	2	

BA - COMPACT
BA - COMPACT THL
BH - OPTIMA
BB - MAXIMA

PLATE NO. 42 : FRONT MUDGUARD

RE COMPACT,OPTIMA
& MAXIMA DIESEL

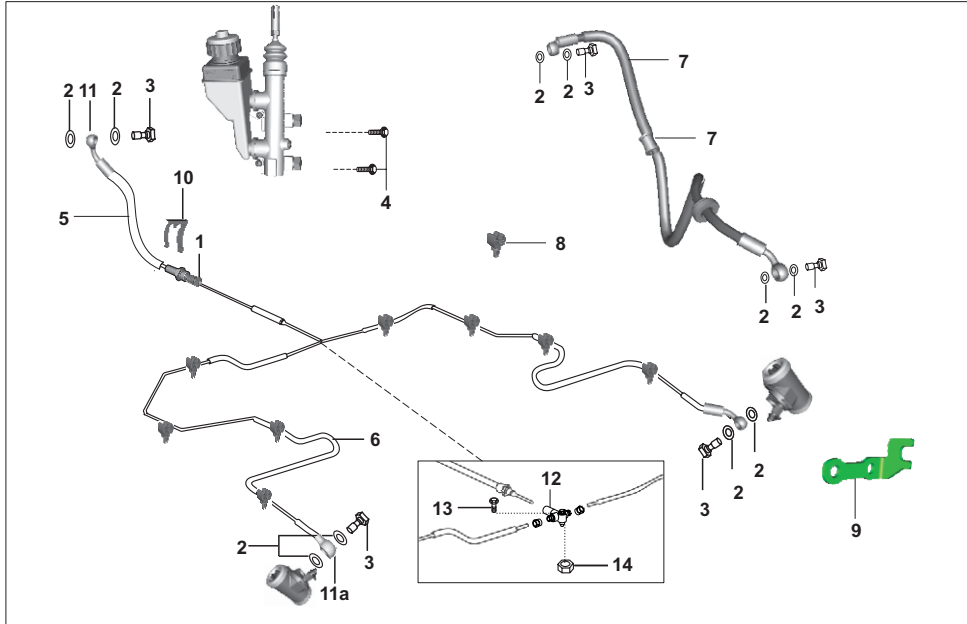


No.	Part No.	Description	BA	<u>BA</u>	BH	BB	Remarks
1	52 AB00 98	Front mudguard AB161188	1	--	--	--	
1a	52 2440 40	Front mudguard AA161183	--	1	--	--	
1b	52 BB00 75	Front mudguard BB161099	--	--	1	1	
2	AB 1611 82	Check plate front mudguard	1	1	--	--	
3	39 1069 01	Bolt hexagon head	3	3	--	--	
4	39 0817 15	Flange nut	3	3	--	--	
5	AB 1611 59	Clip	1	--	--	--	
6	39 2424 11	Plain washer	1	1	--	--	
7	LA A000 14	Hexagon bolt	1	1	--	--	
8	39 2375 23	Grommet for mudguard	2	--	--	--	
9	39 0062 04	Hexagon hd screw-m6	1	--	--	--	
10	AB 2010 65	Housing head light	1	--	--	--	
11	AB 1611 83	Check plate assly. H.L.hsg.	1	--	--	--	
12	39 2642 23	Grommet blind	1	1	--	--	
13	39 1353 15	Nyloc nut	2	--	--	--	
14	39 1680 04	Bolt - Flange :- M6	--	--	2	2	
15	39 1211 11	Plain Washer	--	--	2	2	
16	39 1944 04	Bolt - flanged :- small	--	--	2	2	
17	39 0198 11	Plain Washer	--	--	2	2	
18	BF 1850 19	Clip plastic rivet	--	--	1	1	NI
19	DS 1611 25	Cable Guide	--	--	1	1	NI
20	BH 1318 17	Spacer Guide Hose	--	--	1	1	NI
21	24 2301 85	Mudflap	1	1	1	1	
22	24 1611 76	Strip for front mudguard flap	1	1	1	1	

BA - COMPACT
BA - COMPACT THL
BH - OPTIMA
BB - MAXIMA

PLATE NO. 43 : BRAKE PIPE

RE COMPACT,OPTIMA
& MAXIMA DIESEL

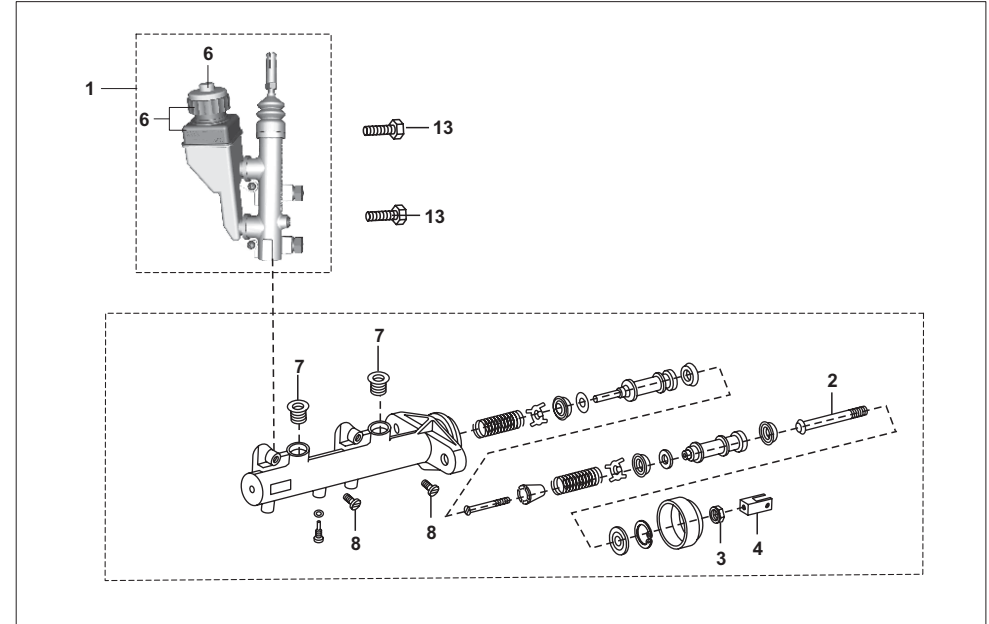


No.	Part No.	Description	BA	BA	BH	BB	Remarks
1	AB 1510 50	Connector Brake Pipe (m10x1)	1	1	1	--	
2	21 1504 22	Packing - Copper Washer	8	8	8	8	
3	AB 1510 49	Bolt - M10 X 1 :- Banjo, Brake	2	2	2	2	
4	KA DD10 30	Bolt-flange-tmc mounting	2	2	2	2	
5	24 1512 34	Hose Rear Circuit-1	1	1	1	--	
5	BB 1510 24	Hose Rear Circuit-1	--	--	--	1	
6	24 1512 21	Assembly Brk Pipe Rr.-2	1	1	--	--	
6	BH 1318 02	Assembly Brk Pipe Rr.-2	--	--	1	--	
6	BB 1510 25	Assembly Brk Pipe Rr.-2	--	--	--	1	
7	AA 1510 39	Hose Brake FR	1	1	--	--	
7	BH 1318 04	Hose Brake FR	--	--	1	--	
7	BB 1510 26	Hose Brake FR	--	--	--	1	
8	BG 1138 04	Clamp brake pipe	6	6	6	6	
9	24 1512 47	Bracket hose guide	1	1	--	--	
10	EC 1318 35	Clip hose	1	1	1	1	
11a	BB 1510 48	Banjo union	--	--	--	2	
12	AD 1510 21	Three way connection	--	--	--	1	
13	39 1074 04	Bolt-flange	--	--	--	1	
14	39 0798 15	Nut	--	--	--	1	

BA - COMPACT
BA - COMPACT THL
BH - OPTIMA
BB - MAXIMA

PLATE NO.44 : TANDEM MASTER CYLINDER

RE COMPACT,OPTIMA
& MAXIMA DIESEL

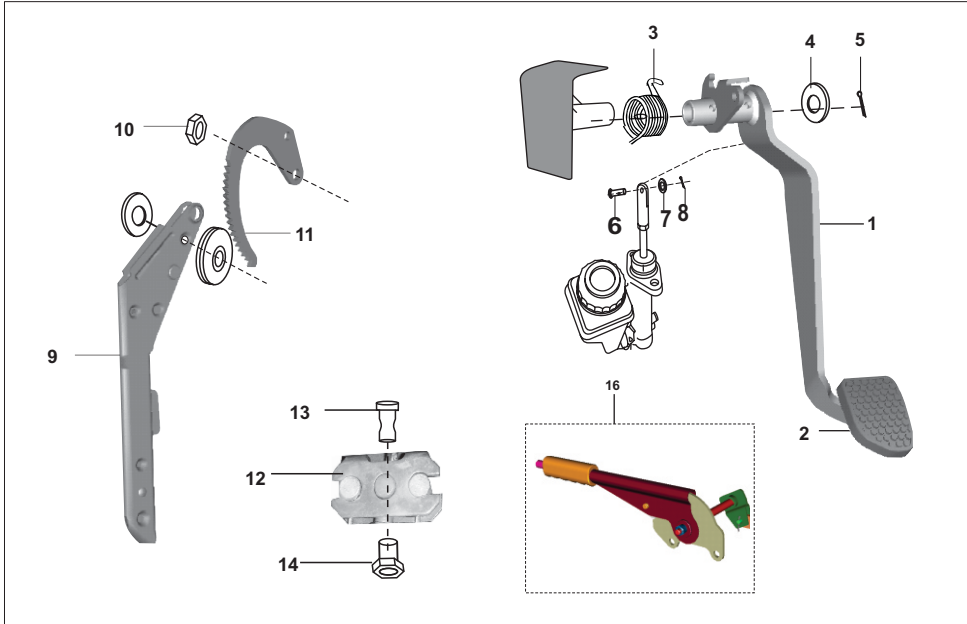


No.	Part No.	Description	BA	BA	BH	BB	Remarks
1	24 1512 58	Cylinder comp	1	1	1	--	tmc
1	BB 1510 40	Cylinder comp	--	--	--	1	tmc
2	24 1510 87	Push rod complete	1	1	1	1	
3	24 1510 94	Hex. nut	1	1	1	1	
4	24 1510 90	Fork rod push	1	1	1	1	
6	AB 1510 72	Cap - oil reservoir	1	1	1	1	
7	24 1510 92	Seal-oil supply port	2	2	2	2	
8	24 1510 93	Screw reservoir mtg.	2	2	2	2	
9	24 1510 97	Major kit	1	1	1	1	N.I.
10	24 1510 98	Minor Kit	1	1	1	1	N.I.
11	39 1389 04	Hex bolt TMC mounting	2	2	2	2	
12	KA DD10 30	Bolt-flange-tmc mounting	2	2	2	2	
13	AB 1510 54	Oil reservoir	1	1	1	1	

BA - COMPACT
BA - COMPACT THL
BH - OPTIMA
BB - MAXIMA

PLATE NO. 45: BRAKE PEDAL

RE COMPACT,OPTIMA
& MAXIMA DIESEL

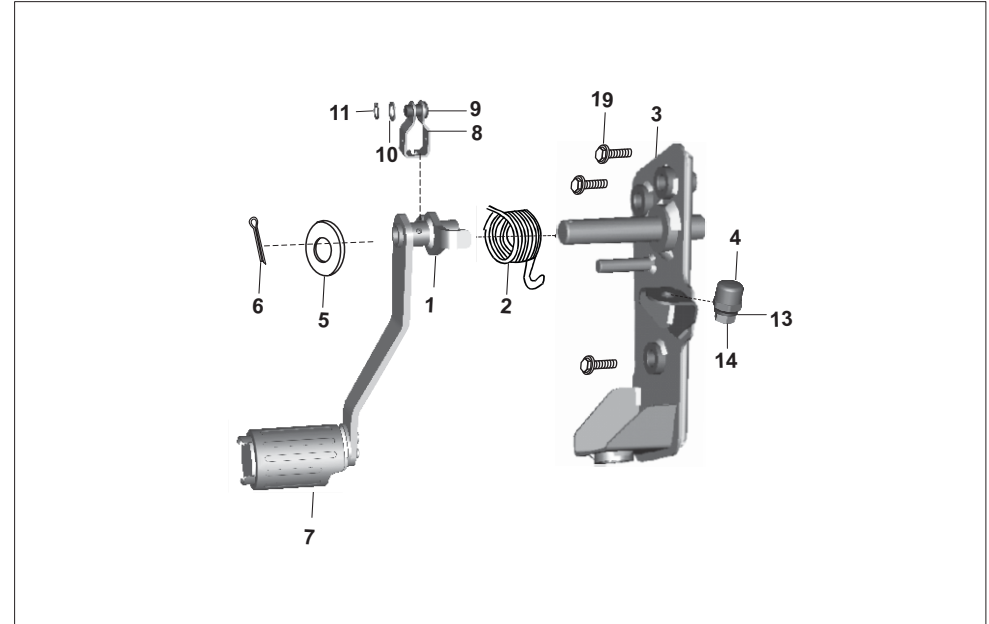


No.	Part No.	Description	BA	BA	BH	BB	Remarks
1	24 1512 56	Assembly brake pedal with pad	1	1	1	--	
1	BB 1510 39	Assembly brake pedal with pad	--	--	--	1	
2	24 1512 32	Pad brake pedal	1	1	1	1	
3	24 1512 55	Spring brake pedal retainer	1	1	1	--	
3	Ab 1510 14	Spring brake pedal retainer	--	--	--	1	
4	39 0208 11	Plain washer	2	2	2	2	
5	39 0147 08	Split pin	1	1	1	1	
6	39 1702 07	Clevis pin with head	1	1	1	--	
7	39 0199 11	Plain washer	1	1	1	1	
8	39 0146 08	Split pin	1	1	1	1	
9	24 1510 61	Hand brake lever assembly	1	1	1	--	
10	39 0694 15	Nut - hexagon lock M8 X 1.25	3	3	3	3	
11	22 1505 07	Ratchet	1	1	1	--	
12	24 1510 67	Bracket - rear cable guide	1	1	1	--	
13	24 1510 68	Pin - rear cable guide	1	1	1	--	
14	24 1512 38	Special nut - hand brake	1	1	1	--	
15	KE CA70 08	Circlip type E	--	--	2	--	
16	BB 1510 01	Hand brake lever assly	--	--	--	1	

BA - COMPACT
BA - COMPACT THL
BH - OPTIMA
BB - MAXIMA

PLATE NO. 46: CLUTCH PEDAL

RE COMPACT,OPTIMA
& MAXIMA DIESEL

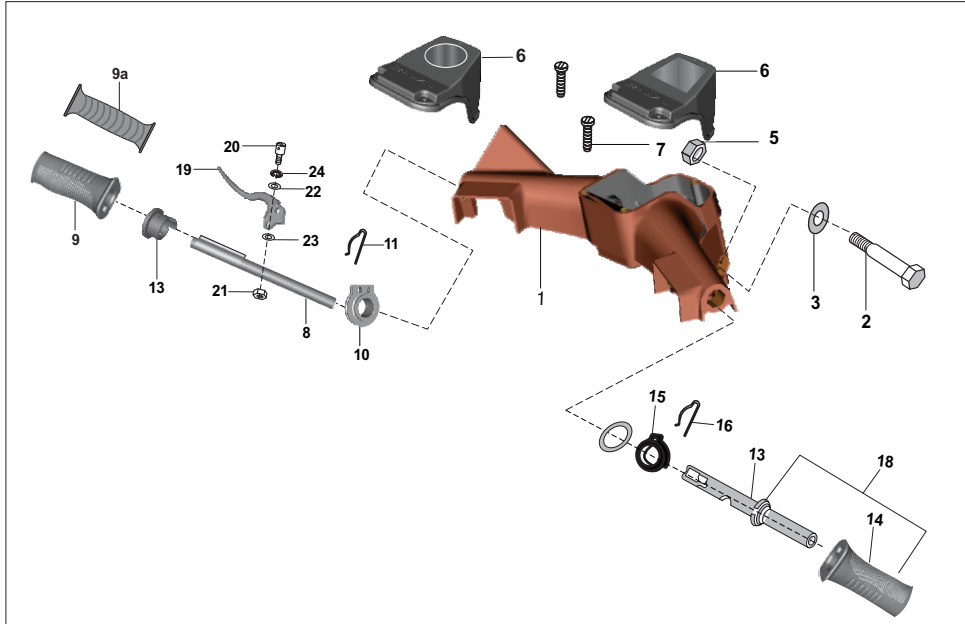


No.	Part No.	Description	BA	BA	BH	BB	Remarks
1	BB 1910 29	Assly clutch pedal with damper	1	1	1	1	
2	BH 1610 07	Spring - return :- clutch pedal	1	1	1	1	
3	BH 1610 09	Bracket clutch pedal mtg	1	1	1	1	
4	DH 1611 94	Kick stopper	1	1	1	1	
5	39 0208 11	Plain washer	1	1	1	1	
6	39 0147 08	Split pin	2	2	2	2	
7	BH 1610 10	Damper	1	1	1	1	
8	BH 1610 11	Clutch cable holder	1	1	1	1	
8	BH 1610 14	Clutch cable holder	1	1	1	1	FR.18.05.2014
9	BH 1610 12	Pin cable holder	1	1	1	1	
9	BH 1610 21	Pin cable holder	1	1	1	1	FR 18.05.2014
10	LD A000 02	Washer plain small	1	1	1	1	
11	KE AA10 10	Circlip external	1	1	1	1	
12	KH Aa20 20	Q PIN	1	1	1	1	FR.18.05.2014
13	KD DA08 15	Washer spring thin	1	1	1	1	
14	KA AA08 12	Bolt	1	1	1	1	
15	KA EB08 30	Bolt-flanged-small	3	3	3	3	
16	BF 1612 83	Clip cable lock	1	1	1	1	

BA - COMPACT
BA - COMPACT THL
BH - OPTIMA
BB - MAXIMA

PLATE NO. 47: HANDLE BAR ASSEMBLY

RE COMPACT,OPTIMA
& MAXIMA DIESEL

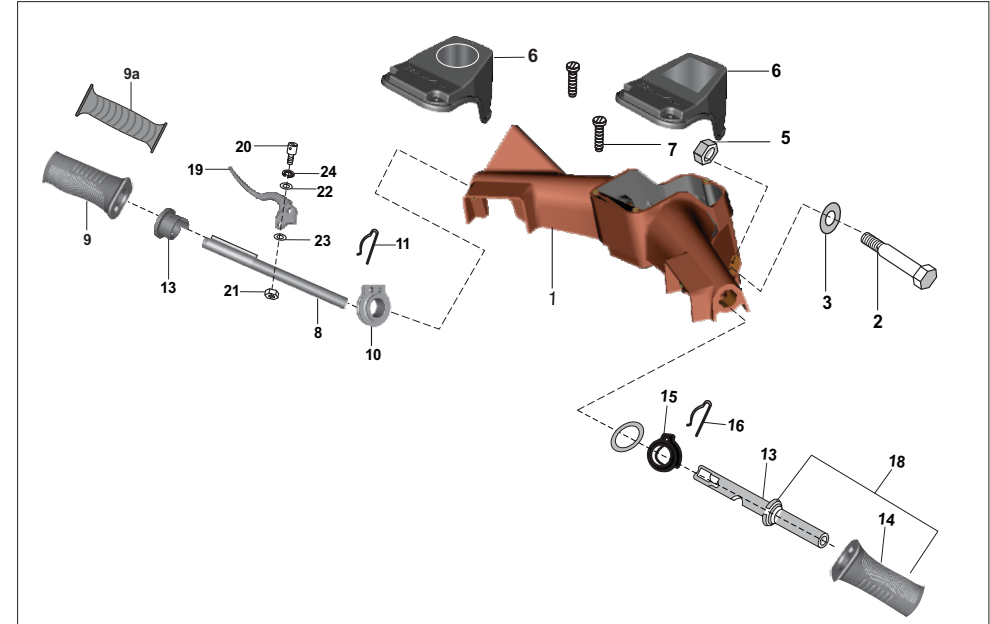


No.	Part No.	Description	BA	BA	BH	BB	Remarks
1	AP 1610 48	Handle bar body	1	1	1	1	
2	39 1377 04	Hex. bolt with collar	1	1	1	1	
3	39 0201 11	Plain washer	1	1	1	1	
5	39 0296 15	Hex nut	1	1	1	1	
6	AP 1810 09	Handle bar top cover	1	-	-	-	
6a	AP 1610 47	Handle bar top cover	-	1	1	1	
7	KB UC04 10	Screw Truss M4 X 0.7P	3	3	3	3	
8	BB 1910 25	Assly gear ctrl tube with grip	1	1	1	1	
8	BA 1810 21	Assly Gear Cntl Tube HC	1	1	1	1	
9	BA 1910 80	Grip hand gear control	1	1	1	1	
9a	06 1910 89	Grip Hand gear control -HC	1	1	1	1	
10	24 1911 84	Gear control pulley	1	1	1	1	
11	24 1911 85	Spring clip	1	1	1	-	
11	LH C000 01	Spring clip	-	-	-	1	
12	BH 1610 04	Indicator ring gear handle bar	1	1	1	1	
12	BA 1810 22	Indicator Ring Gear Handle Bar- HC	1	1	1	1	
13	24 1910 98	Assly gas ctrl tube with grip	1	1	1	1	
14	06 1910 89	Hand grip acc	1	1	1	1	
15	24 1911 01	Pulley gas control	1	1	1	1	
16	CM 1910 49	Spring clip	1	1	1	1	
17	30 1210 04	Ring snap	1	1	1	1	
18	24 1911 87	Assembly gas ctrl tube with grip	1	1	1	1	

BA - COMPACT
BA - COMPACT THL
BH - OPTIMA
BB - MAXIMA

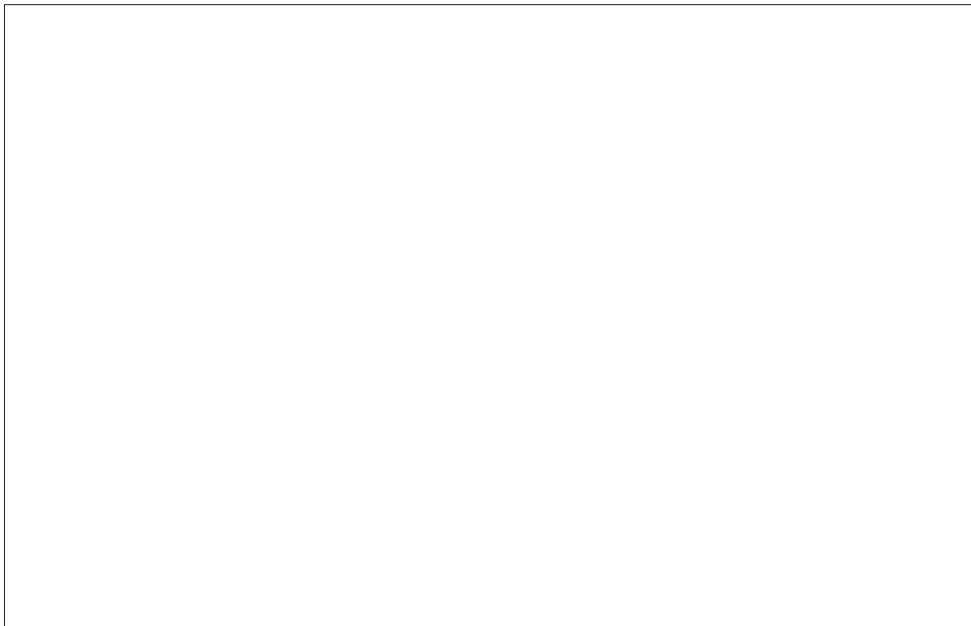
PLATE NO. 47: HANDLE BAR ASSEMBLY

RE COMPACT,OPTIMA
& MAXIMA DIESEL



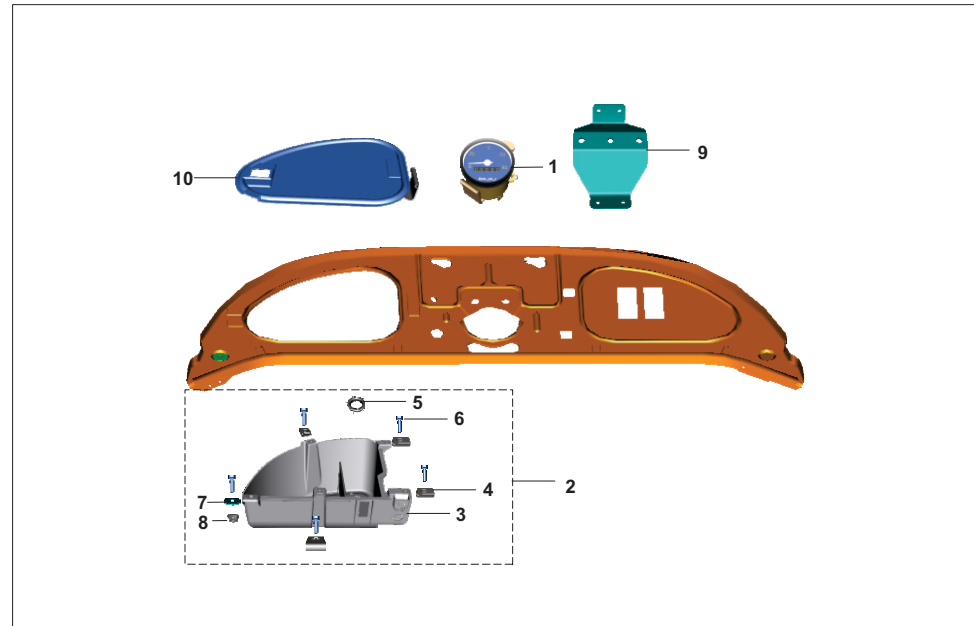
No.	Part No.	Description	BA	BA	BH	BB	Remarks
19	AA 1910 32	Lever clutch					
20	24 1911 05	Screw sp crs recessed					
21	39 0326 15	Nut nyloc m5x0.8					
22	03 1902 04	Washer plain					
23	03 1902 06	Washer plain					
24	01 1902 05	Washer spring					
25	24 2208 04	Bolt flanged M5X10					

BA - COMPACT
BA - COMPACT THL
BH - OPTIMA
BB - MAXIMA



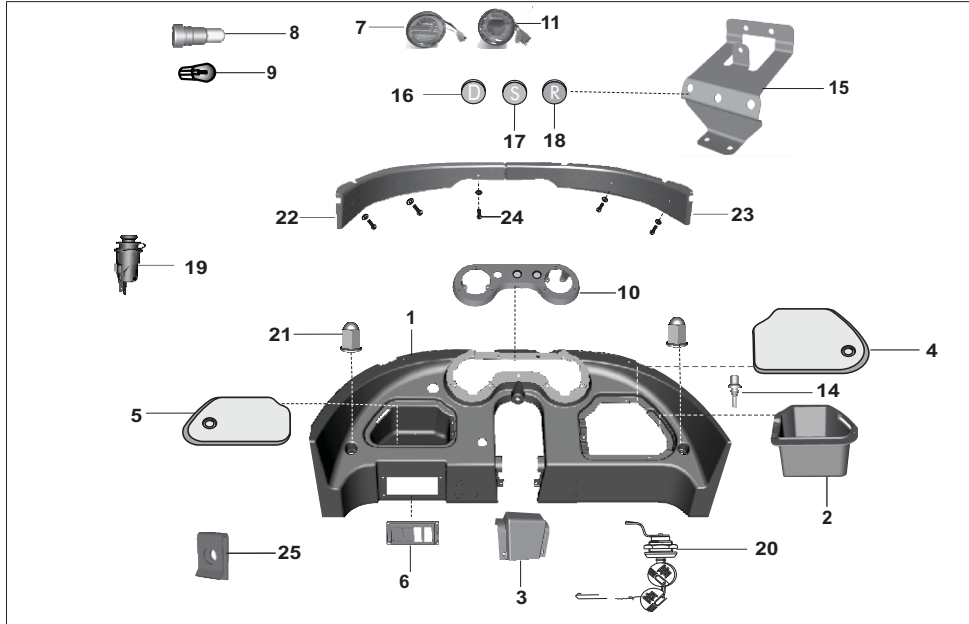
No.	Part No.	Description	BA	BA	BH	BB	Remarks

BA - COMPACT
BA - COMPACT THL
BH - OPTIMA
BB - MAXIMA



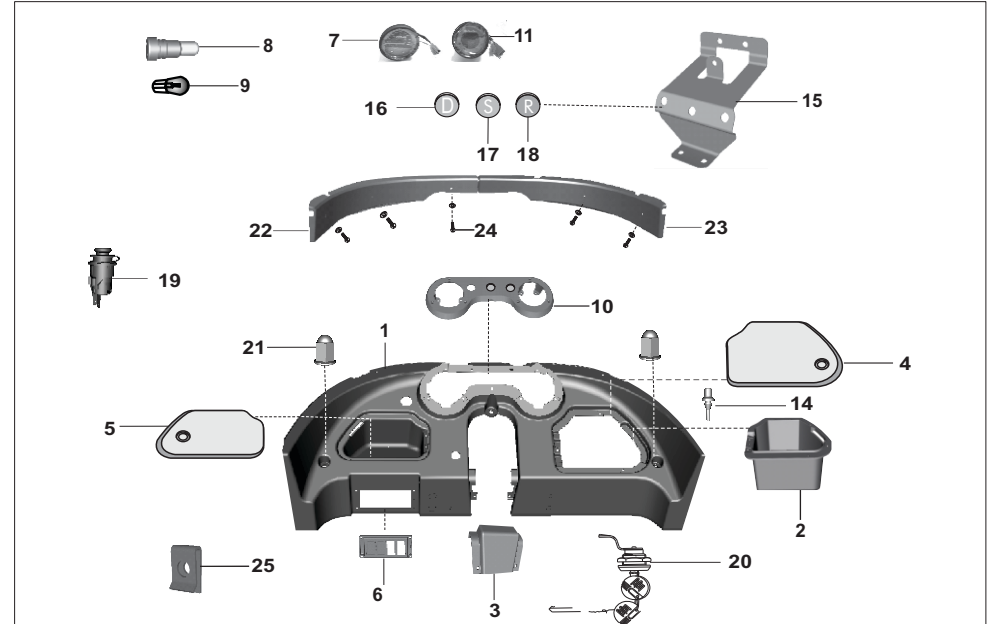
No.	Part No.	Description	BA	BA	BH	BB	Remarks
1	24 1911 08	Speedometer complete with lamp	1	-	-	-	
2	24 1615 05	Assembly toolbox	1	-	-	-	
3	24 1653 03	Tool box	1	-	-	-	
4	05 1612 56	Clip nut-m6	4	-	-	-	
5	39 2374 23	Grommet for upper part	1	-	-	-	
6	LA E000 06	Bolt flanged small	5	-	-	-	
7	39 1211 11	Plain washer	1	-	-	-	
8	39 0798 15	Nut hexagon with flange m6	1	-	-	-	
9	24 1652 18	Knob mounting bkt	1	-	-	-	
10	22 1608 05	Tool box door assly	1	-	-	-	52210043
11	36 2240 05	Lock tool box with key	1	-	-	-	22161202

BA - COMPACT
BA - COMPACT THL
BH - OPTIMA
BB - MAXIMA



No.	Part No.	Description	BA	<u>BA</u>	BH	BB	Remarks
1	AA 1612 15	Dashboard Plastic	--	1	1	--	
2	24 1613 68	Toolbox right side (plastic)	--	1	1	--	
3	24 1613 71	Cover middle portion (plastic)	--	1	1	--	
4	AL 1615 03	Toolbox lid right side (plastic)	--	1	1	--	
5	AL 1615 02	Toolbox lid left side (plastic)	--	1	1	--	
6	24 1613 73	Cover for switches	--	1	1	--	
7	24 1614 92	Cover For Switches 3 slot-HC	--	1	1	--	
7	AZ 4024 02	Speedometer complete with lamp	--	1	1	--	fr.15.6.14
7	AP 1910 01	Speedometer complete with lamp	--	1	1	--	
7	BH 4010 10	Speedometer complete with lamp	--	1	1	--	
8	CM 2010 54	Lamp :- 12v - 2w, without cap	--	6	6	--	
9	DL 1910 20	Lamp :- 12v - 3w, without cap	--	1	1	--	
10	BH 1812 03	Cover speedometer	--	1	1	--	
11	BH 4026 01	Assy indicator rh pod_max dsl	--	1	1	--	
12	BH 4026 02	Harness wiring for ind rh pod	--	1	1	--	NI
13	39 2454 01	Screw - hexagon head :- m5	--	12	12	--	NI
14	24 2301 98	Pad - Rubber	--	2	2	--	
15	AA 1612 25	Bracket control mounting	--	1	1	--	
16	AL 1910 39	Knob-cable decomp. Fix end	--	--	1	--	
17	BH 1612 26	Knob - stop cable	1	1	1	--	
18	BH 1612 25	Knob reverse	1	1	1	--	

BA - COMPACT
BA - COMPACT THL
BH - OPTIMA
BB - MAXIMA

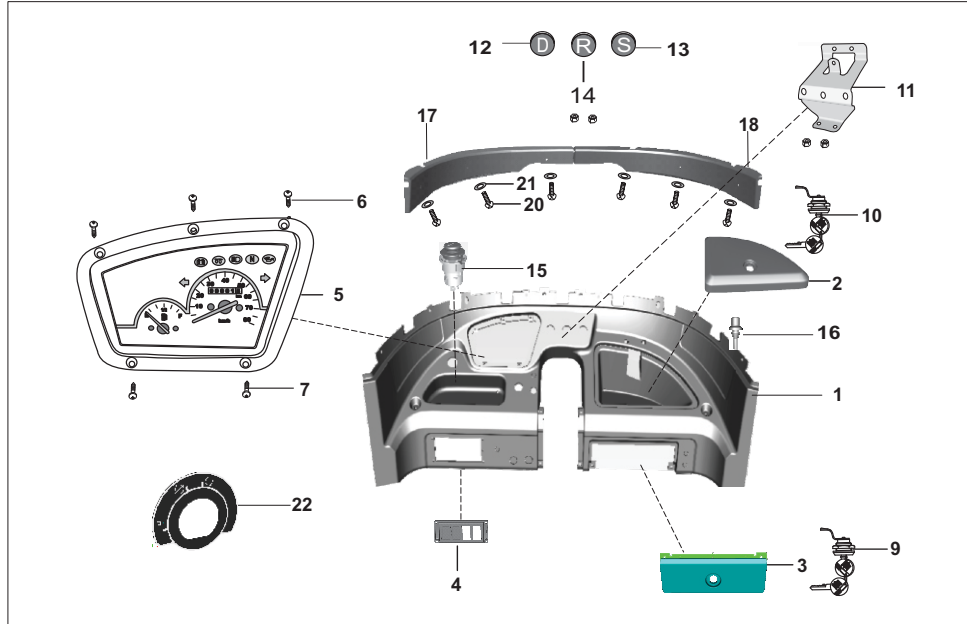


No.	Part No.	Description	BA	<u>BA</u>	BH	BB	Remarks
19	AL 2011 00	Mobile charger	--	1	1	--	
20	AL 1613 62	Lid lock with key	--	--	1	--	
21	39 1704 15	Domed cap nut m6- dashboard	--	2	2	--	
22	AA 1612 18	Trim upper small LH	--	1	1	--	
23	AA 1612 19	Trim upper small RH	--	1	1	--	
24	39 1524 01	Screw pan cross m5x28	--	5	5	--	
25	CE 1810 15	Nut clip	--	15	15	--	
26	59 0100 07	Screw cross countersunk	--	6	6	--	
27	39 1523 01	Screw pan cross m5	--	4	4	--	
28	39 0211 11	Washer plain	--	3	3	--	
29	36 BA40 13	Ignition switch	--	1	1	--	

BA - COMPACT
BA - COMPACT THL
BH - OPTIMA
BB - MAXIMA

PLATE NO. 48b : DASHBOARD - MAXIMA

RE COMPACT,OPTIMA
& MAXIMA DIESEL

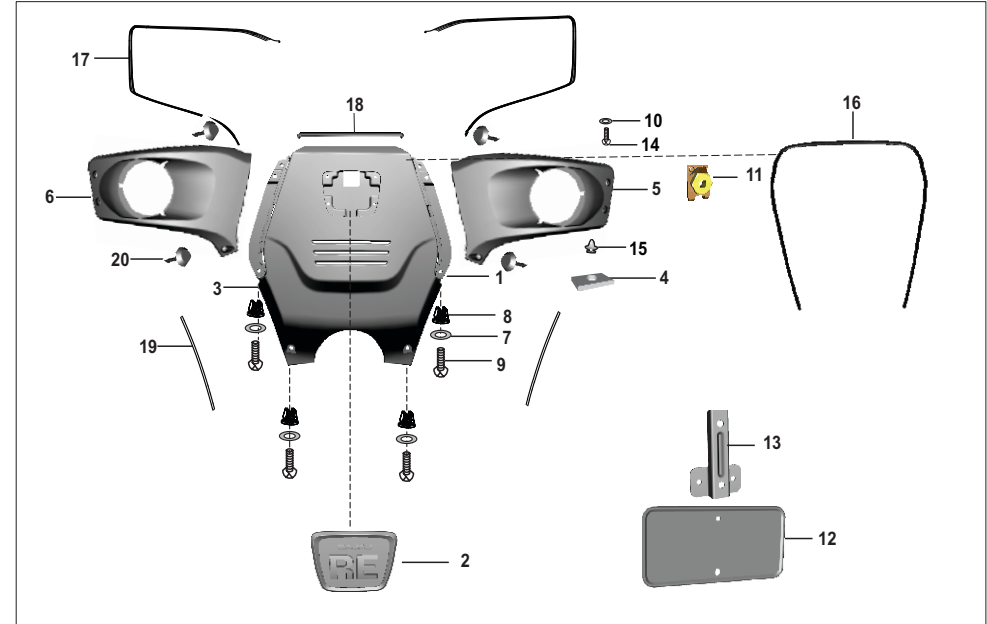


No.	Part No.	Description	BA	BA	BH	BB	Remarks
0	BB 1611 24	Assembly dashboard complete fl	--	--	--	1	
1	BB 1611 23	Dashboard plastic	--	--	--	1	
2	AL 1613 82	Lid glove box	--	--	--	1	
3	AL 1613 90	Assembly lid stereo	--	--	--	1	
4	AL 1613 79	Cover for switches	--	--	--	1	
5	BB 2010 50	Cluster instrument	--	--	--	1	
5	BB 1910 03	Cluster instrument	--	--	--	1	
6	AL 1910 28	Screw M4	--	--	--	3	
7	39 1861 01	Screw crs res csk m4	--	--	--	2	
8	36 AI00 15	Glove box lock with key kit	--	--	--	1	AL161171
9	36 AI00 16	Stero box lock with key kit	--	--	--	1	AL161172
10	36 BA40 13	Ignition switch w/o starter -kit	--	--	--	1	BA201173
11	BB 1611 30	Bracket knob mounting	--	--	--	1	
12	AL 1910 39	Knob-D	--	--	--	1	
13	BH 1612 26	Knob S	--	--	--	1	
14	BH 1612 25	Knob R	--	--	--	1	
15	AL 2011 00	Mobile charger	--	--	--	1	
16	24 2301 98	Pad - rubber	--	--	--	2	
17	BB 1611 01	Trim upper large RH	--	--	--	1	
18	BB 1611 00	Trim upper large LH	--	--	--	1	
19	35 1610 60	Nut clip	--	--	--	10	
20	39 1524 01	Screw pan cross m5x28	--	--	--	6	
21	39 1839 11	Washer plain	--	--	--	12	
22	AL 2010 78	Label parking off on	1	1	1	1	

BA - COMPACT
BA - COMPACT THL
BH - OPTIMA
BB - MAXIMA

PLATE NO. 49 : STEERING & HEAD LAMP COVER

RE COMPACT,OPTIMA
& MAXIMA DIESEL

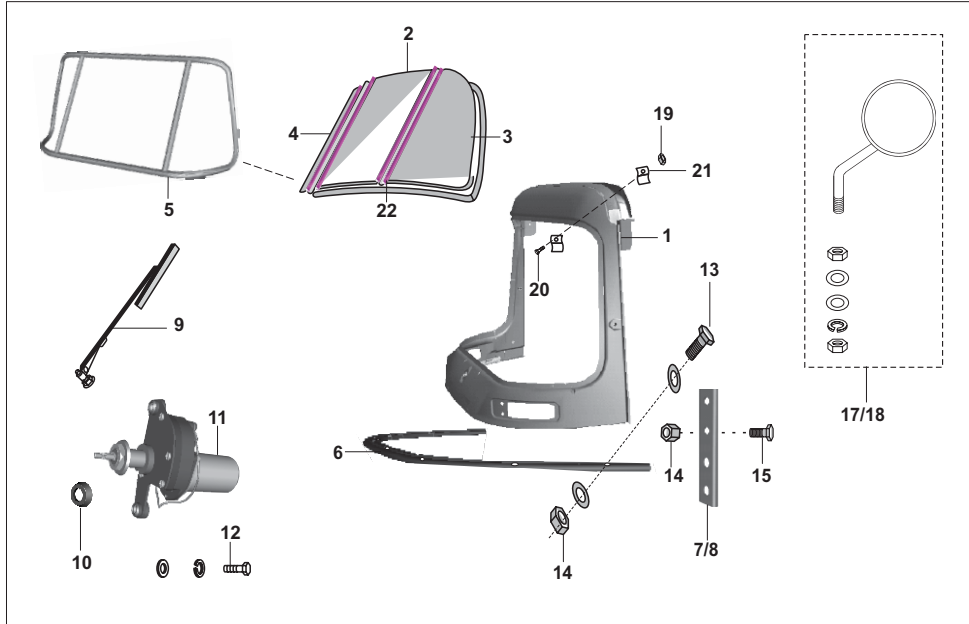


No.	Part No.	Description	BA	BA	BH	BB	Remarks
1	24 1652 34	Assembly steering cover	1	--	--	--	
1	24 1651 16	Assembly steering cover	--	1	1	1	
2	BG 2330 02	Emblem bajaj re for scudo	1	1	1	1	
3	24 1651 16	Steering cover	--	1	1	1	
4	24 1652 14	Grommet Steering Cover	1	1	1	1	
5	AA 1611 90	Housing headlamp LH	--	1	1	--	
6	AA 1611 91	Housing headlamp RH	--	1	1	--	
5	BB 1610 96	Housing headlamp LH	--	--	--	1	
6	BB 1610 97	Housing headlamp RH	--	--	--	1	
7	39 0454 11	Washer - Plain	10	10	10	10	
8	AL 1612 36	Plug For blinker housing	10	10	10	10	
9	59 0100 05	Screw round head	10	10	10	10	
10	39 0454 11	Washer - plain	1	1	1	1	
11	DJ 1612 29	Clip nut m5	2	--	--	--	
12	22 1612 21	Plate -number	1	1	1	1	
13	24 1651 32	Bracket FR number plate mtg	1	1	1	1	
14	39 1907 01	Mushroom head screw	2	--	2	2	
15	24 1652 55	Clip Plastic	2	--	--	--	
16	24 1653 02	Beading steering cover	1	--	--	--	
17	AA 1612 68	Beading housing h.l.	--	2	2	2	
18	AA 1612 69	Beading st.cover upper	--	1	1	1	
19	AA 1612 70	Beading st. Cover lower	--	2	2	2	
20	BH 1110 88	Grommet shield headlamp bkt	--	4	4	4	

BA - COMPACT
BA - COMPACT THL
BH - OPTIMA
BB - MAXIMA

PLATE NO. 50 : WINDSHIELD & WIPER MOTOR

RE COMPACT,OPTIMA
& MAXIMA DIESEL

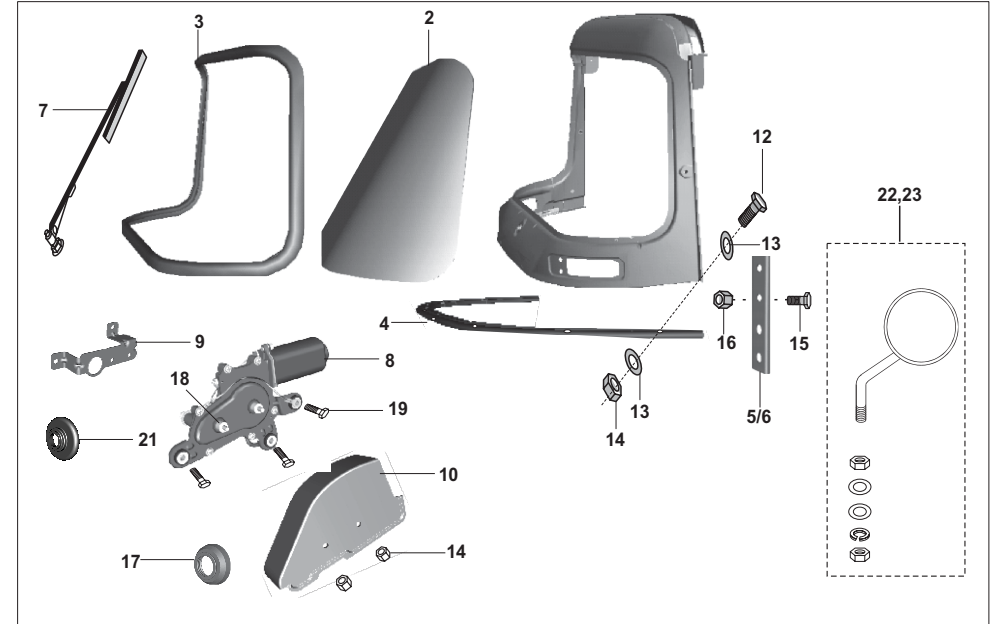


No.	Part No.	Description	BA	BA	BH	BB	Remarks
1	52 2406 45	Windshield Assly 24231593	1	1	--	--	
2	24 2317 80	Central glass	1	1	--	--	
3	24 2317 78	Side glass LH	1	1	--	--	
4	24 2317 79	Side glass RH	1	1	--	--	
5	24 2316 61	Rubber beading	1	1	--	--	
6	24 2316 41	Packing for shield & windshield	1	1	--	--	
7	24 2316 15	Joint plate LH	1	1	--	--	
8	24 2316 16	Joint plate RH	1	1	--	--	
9	22 2306 35	Wiper assly	1	1	--	--	
10	24 2015 24	Grommet wiper motor small	1	1	--	--	
11	24 2015 26	Wiper motor small	1	1	--	--	
12	KA DA06 20	Bolt-flange wiper motor	3	3	--	--	
13	39 0085 04	Bolt shield mounting	9	9	--	--	
14	39 2484 15	Flange nut	9	9	--	--	
15	KA AA05 16	Bolt hex head	8	8	--	--	
16	AA 2210 06	Mirror assly RH	1	1	--	--	
17	AA 2210 05	Mirror assly LH	1	1	--	--	
18	39 0326 15	Nut nyloc m5x0.8	8	8	--	--	NI
19	39 0287 15	Nut hexagon m4x0.7	8	8	--	--	
20	39 0038 01	Screw round head m4	8	8	--	--	
21	22 2312 81	Plate ii for windshield glass	8	8	--	--	
22	24 2316 62	Support windshield glass FL	4	4	--	--	

BA - COMPACT
BA - COMPACT THL
BH - OPTIMA
BB - MAXIMA

PLATE NO. 50a : WINDSHIELD & WIPER MOTOR

RE COMPACT,OPTIMA
& MAXIMA DIESEL

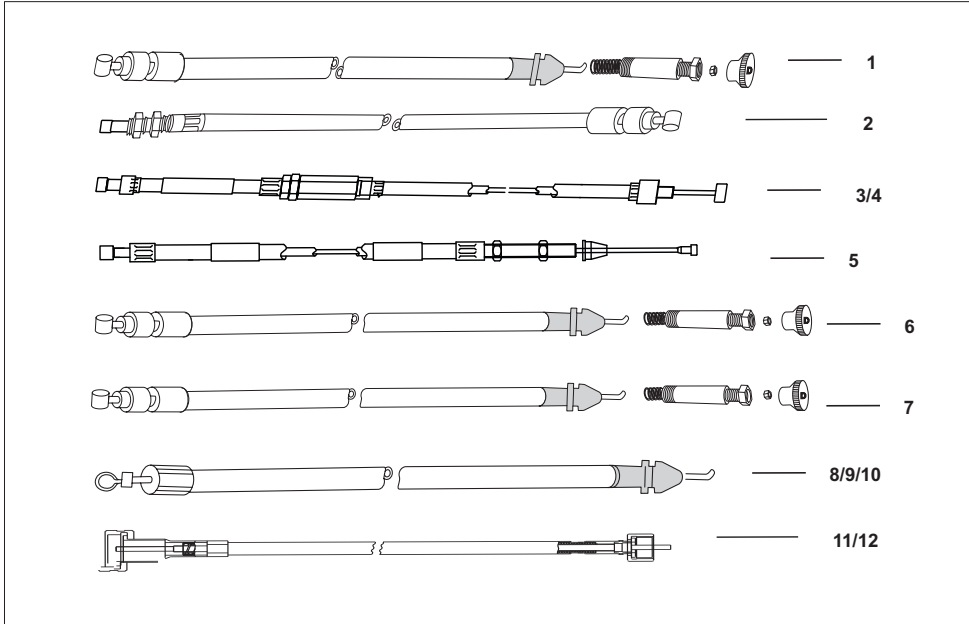


No.	Part No.	Description	BA	BA	BH	BB	Remarks
1	52 2406 45	Wind shield assly 24231593	--	1	1	1	
2	BH 1840 00	Glass green windshield one piece	--	1	1	1	
3	AA 2312 42	Beading one piece W/s glass	--	1	1	1	
4	24 2316 41	Packing shield and w shield	--	1	1	1	
5	24 2316 15	Joint plate LH	--	1	1	1	
6	24 2316 16	Joint plate RH	--	1	1	1	
7	AL 2410 23	Wiper assly	--	1	1	1	
8	AA 2012 63	Wiper Motor	--	1	1	1	
9	24 2316 25	Bracket wiper motor mounting	--	1	1	1	
10	AA 2312 23	cover wiper motor black	--	1	1	1	
11	39 0085 04	Bolt	--	9	9	9	
12	39 0258 11	Plain washer	--	18	18	18	
13	39 2484 15	Flange nut	--	9	9	9	
14	39 0071 04	Bolt hex head	--	4	4	4	
15	39 2484 15	Flanged nut	--	4	4	4	
16	BH 1110 71	Cap for wiper motor	--	1	1	1	
17	KA DA05 12	Bolt flanged	--	1	2	2	
18	KA DA06 20	Bolt-flange-kad st-a dia-06 l-20	--	--	3	3	
19	24 2314 75	nut dome-M5-cov.wiper motor	--	--	2	2	
20	24 2015 25	Grommet wiper motor big	--	--	1	1	
21	AL 2210 32	Mirror Assly LH	--	--	--	1	
22	BH 1846 01	Mirror Assly LH	--	--	1	--	
23	AL 2210 33	Mirror Assly RH	--	--	--	1	
23	BH 1846 02	Mirror Assly RH	--	--	1	--	

BA - COMPACT
BA - COMPACT THL
BH - OPTIMA
BB - MAXIMA

PLATE NO. 51 : CONTROL CABLES

RE COMPACT,OPTIMA
& MAXIMA DIESEL

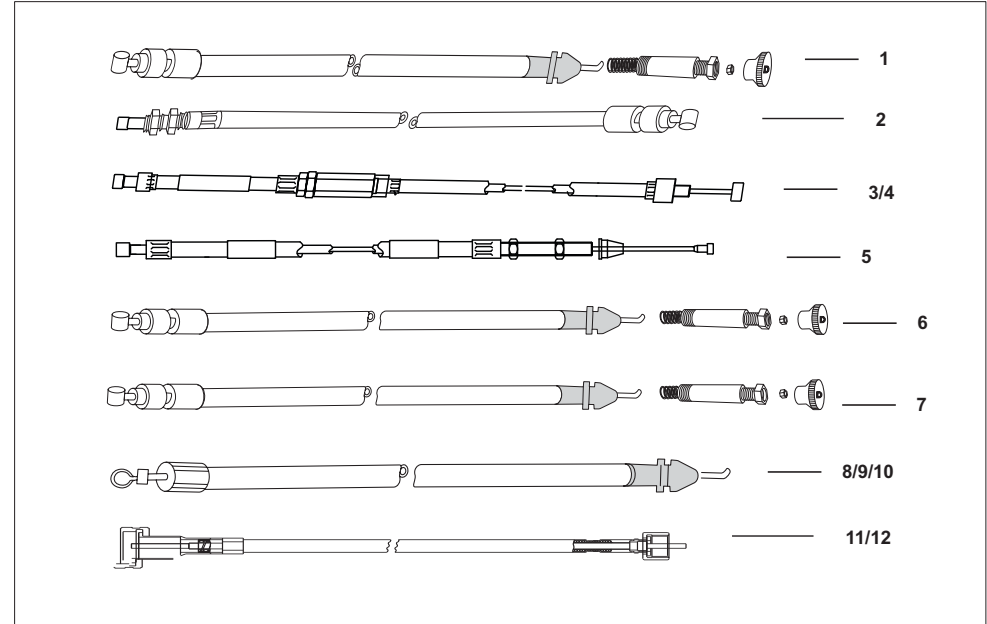


No.	Part No.	Description	BA	BA	BH	BB	Remarks
1	BA 1910 82	Cable Assly Decomp.	1	1	-	-	
1	BA 1910 90	Cable Assly Decomp.	1	1	-	-	19.10.13
1	BH 1612 24	Cable Assly Decomp.	-	-	1	1	
2	BA 1910 84	Cable accelerator fixed end	1	1	-	-	
2	BH 1612 29	Cable accelerator fixed end	-	-	1	-	
2	BB 1910 38	Cable accelerator fixed end	-	-	-	1	
3	BB 1910 18	Gear cable com. White	1	1	-	1	
3	BA 1910 94	Gear cable com White HC	1	1	-	1	
3	BH 1612 08	Gear cable com. White	-	-	1	-	
3	BH 1612 17	Gear cable com. White -HC	-	-	1	-	
4	BB 1910 19	Gear cable comp-Black	1	1	-	1	
4	BH 1612 09	Gear cable comp-Black	-	-	1	-	
5	BA 1910 83	Clutch cable	1	1	-	-	
5	BA 1910 92	Clutch cable HC	1	1	-	-	
5	BH 1612 27	Clutch cable	-	-	1	-	
5	BH 1612 11	Clutch cable HC	-	-	1	-	
5	BB 1910 31	Clutch cable	-	-	-	1	
5	BB 1910 51	Clutch cable HC	-	-	-	1	
6	BH 1612 23	Stop cable	1	1	1	1	
7	BA 1910 77	Reverse cable	1	1	-	-	
7	BA 1910 93	Reverse cable HC	1	1	-	-	
7	BH 1612 22	Reverse cable	-	-	1	1	
7	BH 1612 16	Reverse cable HC	-	-	1	1	
8	BG 1318 02	Cable assly - hand brake FR	1	1	1	-	
9	24 1510 59	Cable assly H. brake Rear LH	1	1	-	-	
9	BH 1612 14	Cable assly H. brake Rear LH	-	-	1	-	

BA - COMPACT
BA - COMPACT THL
BH - OPTIMA
BB - MAXIMA

PLATE NO. 51 : CONTROL CABLES

RE COMPACT,OPTIMA
& MAXIMA DIESEL

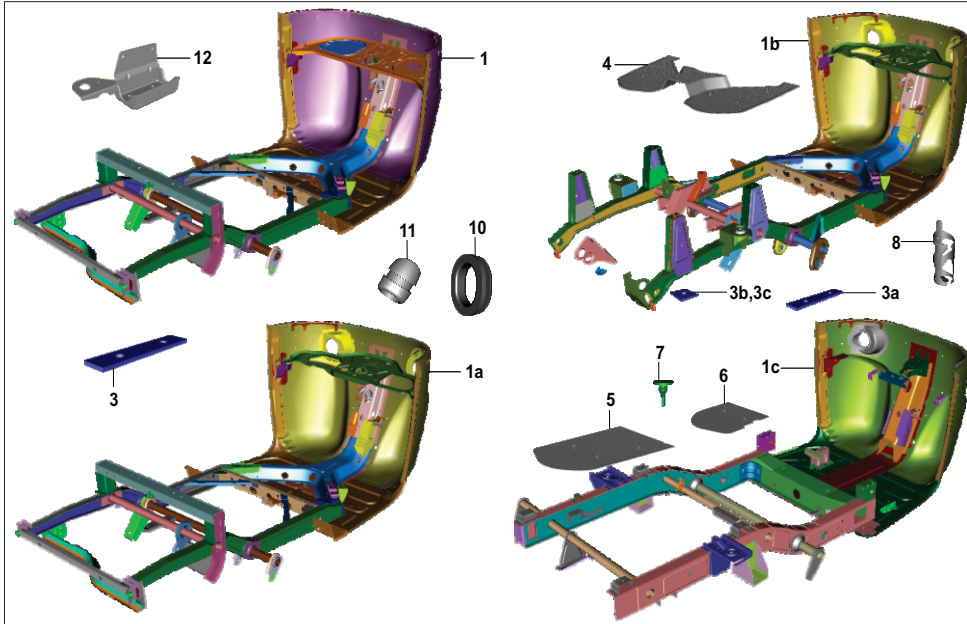


No.	Part No.	Description	BA	BA	BH	BB	Remarks
9	AN 1510 03	Cable assly H. brake Rear LH	-	-	-	1	
10	24 1510 60	Cable assly H. brake rear RH	1	1	-	-	
10	BH 1612 15	Cable assly H. brake rear RH	-	-	1	-	
10	AN 1510 04	Cable assly H. brake rear RH	-	-	-	1	
11	24 1911 78	Speedo cable	1	-	-	-	
11	BA 1910 85	Speedo cable	-	1	-	-	
11	BH 1612 02	Speedo cable	-	-	1	-	
11	AZ 1612 15	Speedo cable	-	-	-	1	
12	24 1911 79	Cable inner speedometer	1	-	-	-	
12	BA 1910 86	Cable Inner speedometer	-	1	-	-	
12	BH 1612 03	Cable inner speedometer	-	-	1	-	
12	AL 1910 20	Cable inner speedometer	-	-	-	1	
13	24 1911 80	Sleeve for cables	-	1	1	1	N.I.
13	Ba 1910 40	Sleeve For Decomp Cables	1	1	1	1	N.I.
14	AA 2510 01	Cable complete faremeter	1	1	-	-	
15	AA 2510 03	Cable inner faremeter	1	1	-	-	
17	AA 1017 47	Seal rubber-faremeter	1	1	1	1	
18	24 1911 20	Guide for cable	1	1	-	1	
19	39 0794 15	Hexagon nut-m10x1.25	1	1	-	1	NI
20	BA 1320 19	Pin clutch lever	1	1	1	1	NI
21	BA 1910 32	Spring clutch adjusting	1	1	1	1	NI
22	BA 1910 31	Nut sp clutch adjusting	1	1	1	1	NI

BA - COMPACT
BA - COMPACT THL
BH - OPTIMA
BB - MAXIMA

PLATE NO. 52 : CHASSIS

RE COMPACT,OPTIMA
& MAXIMA DIESEL

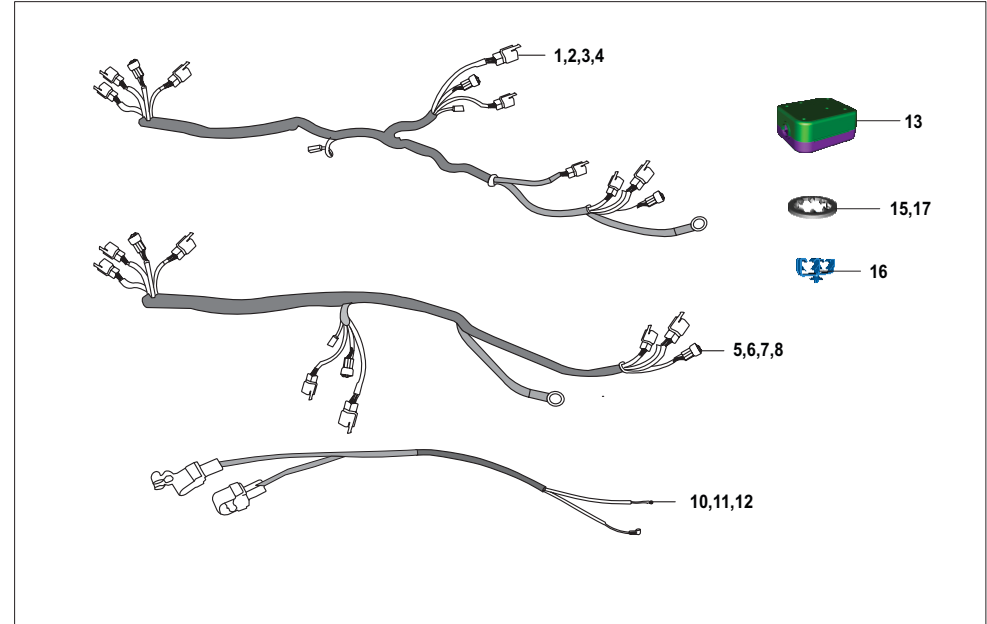


No.	Part No.	Description	BA	BA	BH	BB	Remarks
1	52 2406 74	Bare chassis/ frame complete	1	-	-	-	BA 1611 60
1a	52 2407 46	Assembly bare chassis twin hl	-	1	-	-	BA 1600 06
1b	52 BH00 55	Frame assembly complete	-	-	1	-	BH 1110 50
1c	52 2406 67	Frame assembly complete	-	-	-	1	BB 1610 84
2	BA 2500 05	Lock set	1	-	-	-	N.I
2a	BA 2500 04	Lock set	-	1	-	-	N.I
2b	BH 2326 04	Lock set	-	-	1	-	N.I.
2c	BB 1810 11	Lock set	-	-	-	1	N.I.
3	24 2317 26	Packing for body	8	8	-	-	
3a	24 2313 36	Packing chassis & tray - frame	-	-	8	-	
3b	AL 1613 92	Packing chassis & tray - frame	-	-	4	-	
3c	AL 1610 69	Packing chassis & tray - frame	-	-	-	8	
4	24 1652 15	Mat floor front	-	-	1	-	
5	BB 1611 22	Mat floor front LH	-	-	-	1	
6	BB 1611 32	Mat floor front RH	-	-	-	1	
7	BB 2312 71	Plug : mat fixing	-	-	6	6	
8	24 1614 46	Holder water bottle	-	-	1	-	
9	BH 1110 92	Grommet wiring harness fl	1	1	1	1	
10	24 1652 30	Grommet upper part fl	3	3	3	-	
11	22 2001 61	Grommet	1	-	-	-	
12	AA 1610 89	Bracket faremeter - coupler	1	1	-	-	
13	KC GA06 06	Nut hex flanged	2	2	2	-	
14	36 BB00 29	Lock assly steering w/o key kit	-	-	-	1	Al181013
15	BB 1610 48	Cover lockable member	-	-	-	1	

BA - COMPACT
BA - COMPACT THL
BH - OPTIMA
BB - MAXIMA

PLATE NO. 53 : WIRING HARNESS

RE COMPACT,OPTIMA
& MAXIMA DIESEL

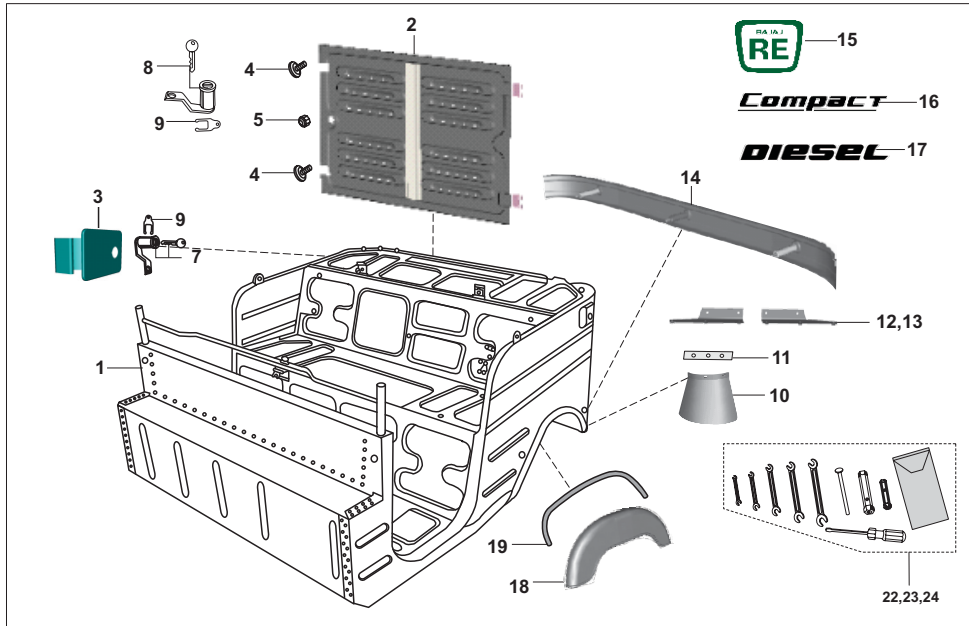


No.	Part No.	Description	BA	BA	BH	BB	Remarks
1	BA 2011 69	Harness wiring-FR	1	-	-	-	
2	BA 2011 70	Harness wiring-FR	-	1	-	-	
2	BA 2011 87	Harness Wiring - FR	-	1	-	-	
2	BA 2011 91	Harness wiring front -HC	-	1	-	-	
3	BH 4022 24	Harness wiring-FR	-	-	1	-	
4	BH 4022 30	Harness wiring front	-	-	1	-	
4	BH 4022 31	Front harness HC	-	-	1	-	
4	BB 2010 74	Harness wiring-FR	-	-	-	1	
5	BA 2011 76	Wiring harness chassis RR	1	-	-	-	
6	BA 2011 78	Wiring harness chassis RR	-	1	-	-	
7	BH 4022 25	Wiring harness chassis RR	-	-	1	-	
8	BB 2010 76	Wiring harness chassis RR	-	-	-	1	
9	22 2501 32	Cable assembly electric white	1	1	1	1	
10	BA 2011 55	Cable assembly battery	1	1	-	-	
11	BH 4022 09	Cable assembly battery	-	-	1	-	
12	BB 2010 59	Cable assembly battery	-	-	-	1	
12	BB 2010 75	Cable assembly battery	-	-	-	1	
13	BH 1812 04	Coupler box	-	-	1	-	
14	KA Da06 14	Bolt flanged	-	-	2	-	NI
15	LD F000 01	Lock Washer Toothed	1	1	1	1	
16	AL 2011 27	Clip plastic twin dia 17	-	-	1	1	
17	LD F000 02	Washer toothed	-	-	1	1	

BA - COMPACT
BA - COMPACT THL
BH - OPTIMA
BB - MAXIMA

PLATE NO.54: BODY - COMPACT

RE COMPACT,OPTIMA & MAXIMA DIESEL

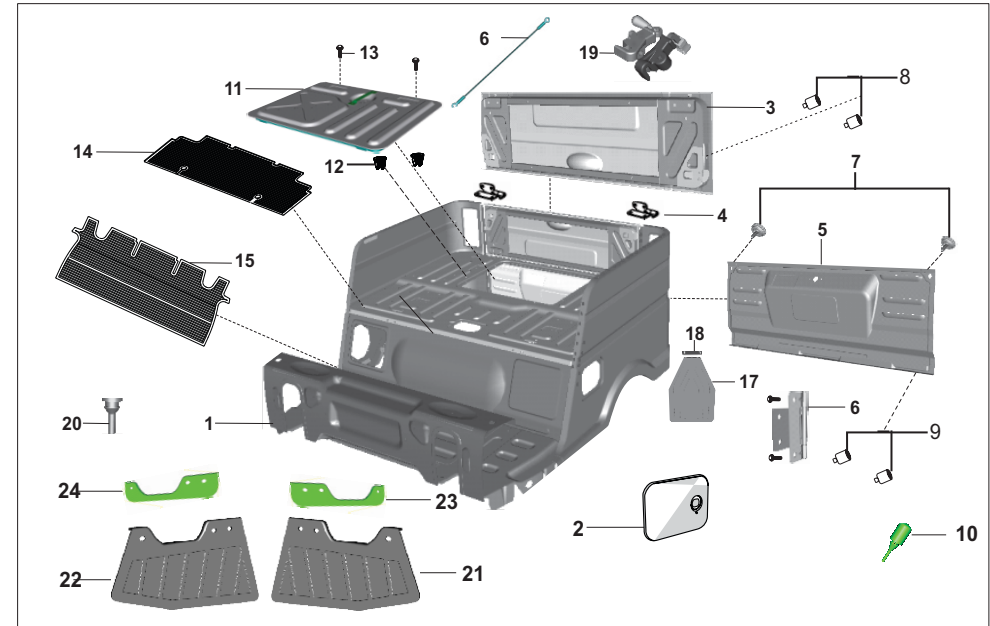


No.	Part No.	Description	BA	BA	BH	BB	Remarks
1	52 2406 75	Body assembly complete BA231125	1	1	-	-	
2	52 2406 64	Door assembly rear BA231058	1	1	-	-	
3	52 BA02 83	Door assly side filling BA231133	1	1	-	-	
4	24 2312 45	Knob for rear door	2	2	-	-	
5	24 2301 76	Knob complete for door	1	1	-	-	
6	24 2314 99	Cover side	2	2	-	-	
7	36 2440 44	Lock fuel filling door with key	1	1	-	-	24181144
8	36 2440 24	Lock for rear door- kit no	1	1	-	-	24230197
9	01 1607 17	Lock clip	2	2	-	-	
10	24 2301 85	Mudflap rear	2	2	-	-	
11	24 2311 57	Stripe re mudguard flap	2	2	-	-	
11	24 1611 76	Stripe RR/FR mudguard flap	-	-	2	2	
12	24 2310 90	Angle right hand rear mud flap	1	1	-	-	
13	24 2310 91	Angle left hand rear mud flap	1	1	-	-	
14	24 1651 37	Bumper assembly ed coated	1	1	-	-	
15	24 2210 34	Emblem bajaj re logo	1	1	-	-	
16	24 2210 32	Emblem compact	1	1	-	-	
17	BA 2200 03	Emblem diesel	1	1	-	-	
18	52 2100 40	Mudguard assembly rear	1	1	-	-	25231062
19	25 2310 64	Beading for mudguard	1	1	-	-	
20	KC AD05 04	Nut hex thick- mudguard	8	8	-	-	
21	AA 2311 26	Damper for door side filling	2	2	-	-	NI
22	BA 2200 06	Tool kit complete	1	1	-	-	
23	BG 2310 00	Tool kit complete	-	-	1	-	
24	BB 2210 05	Tool kit complete	-	-	-	1	

BA - COMPACT
BA - COMPACT THL
BH - OPTIMA
BB - MAXIMA

PLATE NO.54a : BODY - OPTIMA

RE COMPACT,OPTIMA & MAXIMA DIESEL

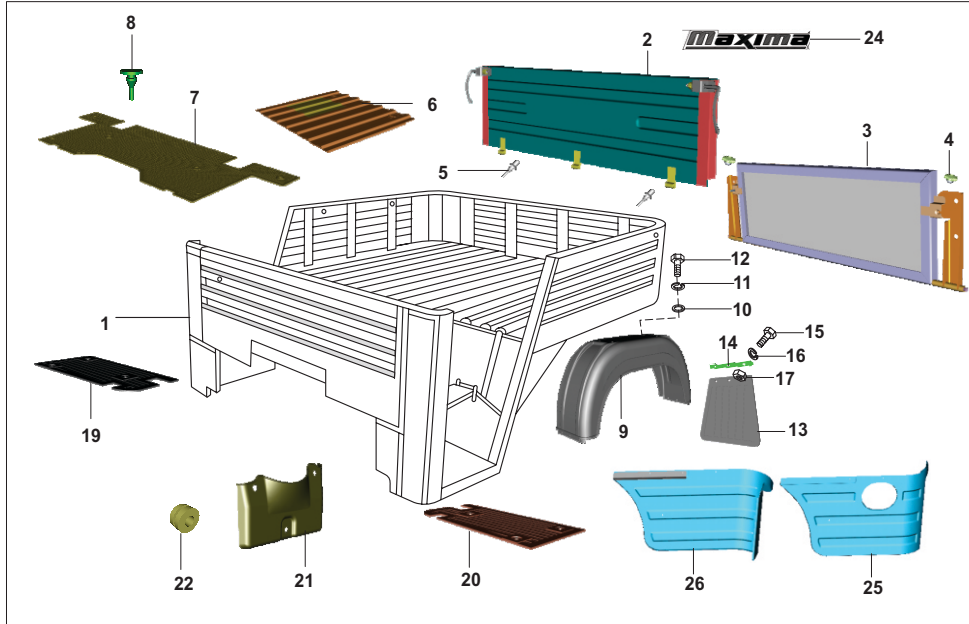


No.	Part No.	Description	BA	BA	BH	BB	Remarks
1	52 BH00 60	Assembly body complete BH211120	-	-	1	-	
2	52 BH00 56	Door assembly fuel filling BH211012	-	-	1	-	
3	52 BH00 58	Door rear upper BH211016	-	-	1	-	
4	BH 2414 00	Hinge door rear upper	-	-	1	-	
5	52 2407 48	Door rear lower BH211148	-	-	1	-	
6	BH 2414 02	Cable door holding	-	-	2	-	
7	BH 2111 65	Knob rear door lower	-	-	2	-	
8	BH 2111 63	Rubber damper rear door up	-	-	2	-	
9	BH 2110 61	Rubber damper door upper	-	-	2	-	
10	BH 2111 58	Rubber damper rear door low	-	-	3	-	
11	52 BH00 57	Door engine access BH211014	-	-	2	-	
12	AL 1615 09	Grommet screw eng door	-	-	2	-	
13	39 1907 01	Screw - truss cross	-	-	2	-	
14	24 1652 16	Mat panel floor top	-	-	1	-	
15	BH 1824 03	Matting for panel floor lower	-	-	1	-	
17	BH 1814 01	Flapmud	-	-	2	-	
18	BH 1814 02	Plate for mudflap	-	-	2	-	
19	BH 2418 00	Latch door rear upper	-	-	2	-	
20	BG 2210 03	Pad rubber for engine door	-	-	6	-	
21	BB 1612 44	Mudflap rear LH	-	-	1	-	
22	BB 1612 45	Mudflap rear RH	-	-	1	-	
23	BH 1814 05	Plate mudflap support LH	-	-	1	-	
24	BH 1814 06	Plate mudflap support RH	-	-	1	-	
25	KC GA05 05	Nut hex flanged	-	-	6	-	
26	BH 1314 07	Assembly cap spare wheel	-	-	1	-	

BA - COMPACT
BA - COMPACT THL
BH - OPTIMA
BB - MAXIMA

PLATE NO. 54b : BODY - MAXIMA

RE COMPACT,OPTIMA
& MAXIMA DIESEL

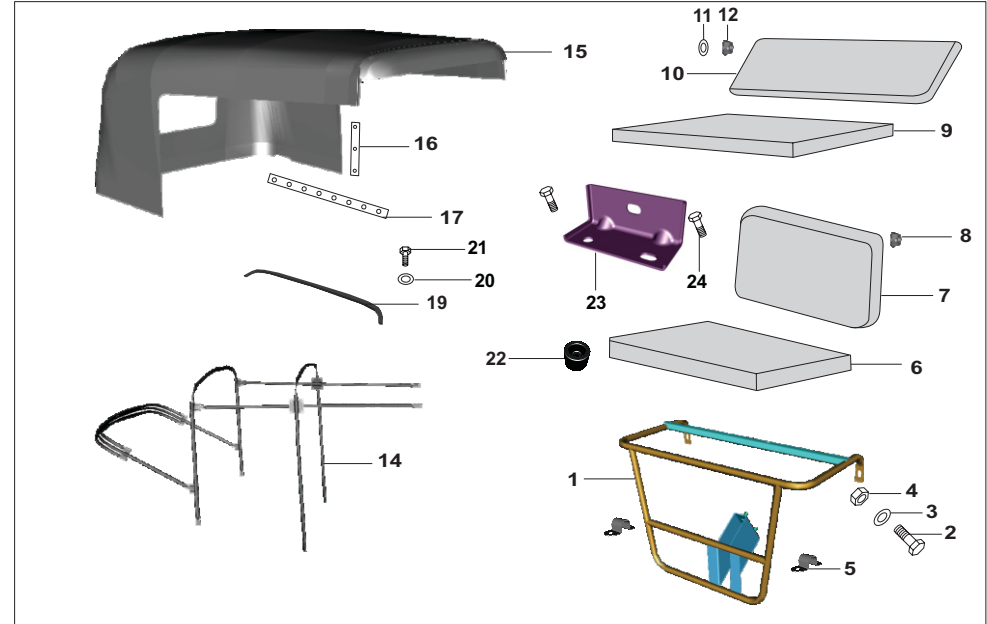


No.	Part No.	Description	BA	BA	BH	BB	Remarks
1	52 2406 68	Assembly body complete BB231351	--	--	--	1	
2	52 2406 70	Door rear upper BB231216	--	--	--	1	
3	BB 1611 71	Assembly guard rear	--	--	--	1	
4	24 2312 45	Knob rear door lower	--	--	--	2	
5	24 2301 98	Pad rubber	--	--	--	2	
6	52 2406 69	Door engine access BB231215	--	--	--	1	
7	BB 2312 25	Matting passenger	--	--	--	1	
8	BB 2312 71	Plug : mat fixing	--	--	--	5	
9	AL 1613 77	Rear mudguard	--	--	--	2	
10	39 0814 11	Plain washer	--	--	--	8	
11	39 0263 12	Washer spring	--	--	--	8	
12	39 1902 04	Bolt-flanged-small	--	--	--	8	
13	AL 1612 26	Mud flap For rear mudguard	--	--	--	2	
14	AL 1612 29	Strip for mud flap	--	--	--	2	
15	39 0071 04	Hex head screw-m5	--	--	--	6	
16	39 0262 12	Washer - spring	--	--	--	6	
17	KC AA05 04	Hexagon nut-m5	--	--	--	6	
18	39 0761 01	Screw Pan Cross - M5	--	--	--	1	NI
19	BB 2311 41	Matting - foot step -RH	--	--	--	1	
20	BB 2311 42	Matting - foot step -RH	--	--	--	1	
21	AL 1010 53	Guard splash	--	--	--	1	
22	DG 1410 19	Damper	--	--	--	3	
23	31 2010 01	Collar	--	--	--	3	NI
24	BB 2210 13	Emblem maxima	--	--	--	1	
25	BB 2313 69	Cover rear LH	--	--	--	1	
26	BB 2313 70	Cover rear RH	--	--	--	1	

BA - COMPACT
BA - COMPACT THL
BH - OPTIMA
BB - MAXIMA

PLATE NO. 55: SEAT & HOOD FRAME - COMPACT

RE COMPACT,OPTIMA
& MAXIMA DIESEL

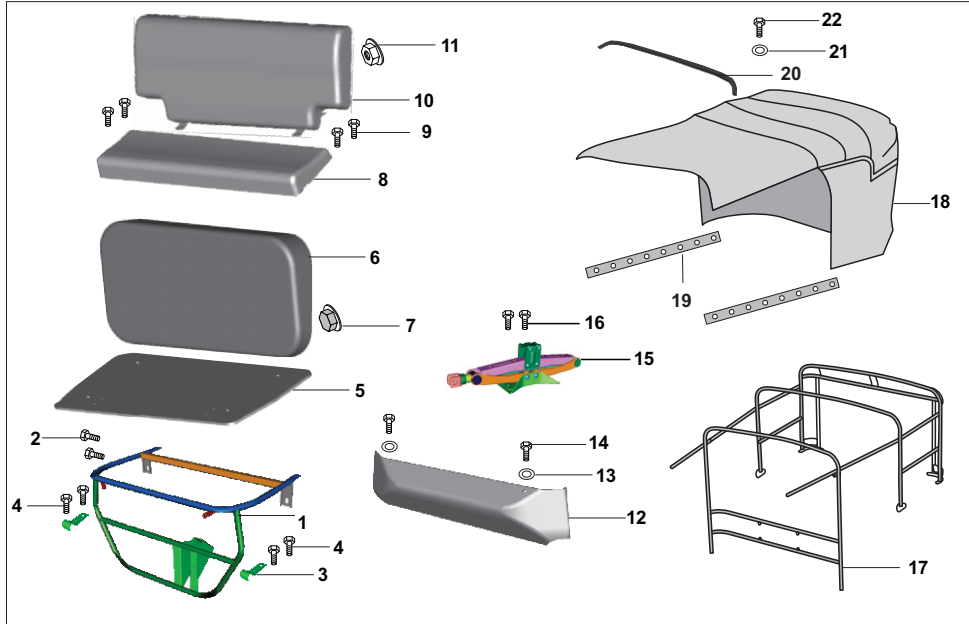


No.	Part No.	Description	BA	BA	BH	BB	Remarks
1	AP 1610 54	Driver seat Frame	1	1	--	--	
2	39 0390 04	Bolt Flange	2	2	--	--	
3	39 0230 11	Plain washer	2	2	--	--	
4	39 2295 15	Nut	2	2	--	--	
5	24 2311 46	Bracket seat base mtg	2	2	--	--	
6	AA 2311 40	Assembly seat cushion	1	1	--	--	
7	AF 2310 78	Driver backrest	1	1	--	--	
8	39 2484 15	Nut - Hexagon	4	4	--	--	
9	AF 2310 79	Seat Assly. Passenger	1	1	--	--	
10	BA 2310 96	Back rest assly. Passenger	1	1	--	--	
11	39 0798 15	Nut	5	5	--	--	
12	39 0211 11	Washer plain	5	5	--	--	
13	24 2314 21	Spacer backrest pass.	3	3	--	--	NI
14	24 2317 48	Hood Frame Assly	1	1	--	--	
15	Ba 2311 51	Hood complete - black	1	1	--	--	
16	Ba 2311 50	Hood complete - yellow	1	1	--	--	
17	24 2317 61	Strip hood fixing-smaller	1	1	--	--	
18	24 2317 62	Strip hood fixing-bigger	1	1	--	--	
19	39 0921 01	Screw pan cross m4	2	2	--	--	NI
20	24 2317 72	Stick assembly - hood	1	1	1	1	
19a	24 2317 75	Stick assembly - hood	1	1	1	1	
21	39 1501 11	Plain Washer	7	7	--	--	
21	39 1159 02	Screw slotted pinhead tapping	7	7	--	--	
22	AA 2311 29	Damper for seat driver	3	3	--	--	
23	24 2317 05	Bracket seat mounting passenger	1	1	--	--	
25	24 2316 20	Assembly backrest support top	1	1	--	--	

BA - COMPACT
BA - COMPACT THL
BH - OPTIMA
BB - MAXIMA

PLATE NO. 55a : SEAT & HOOD FRAME - OPTIMA

RE COMPACT,OPTIMA
& MAXIMA DIESEL

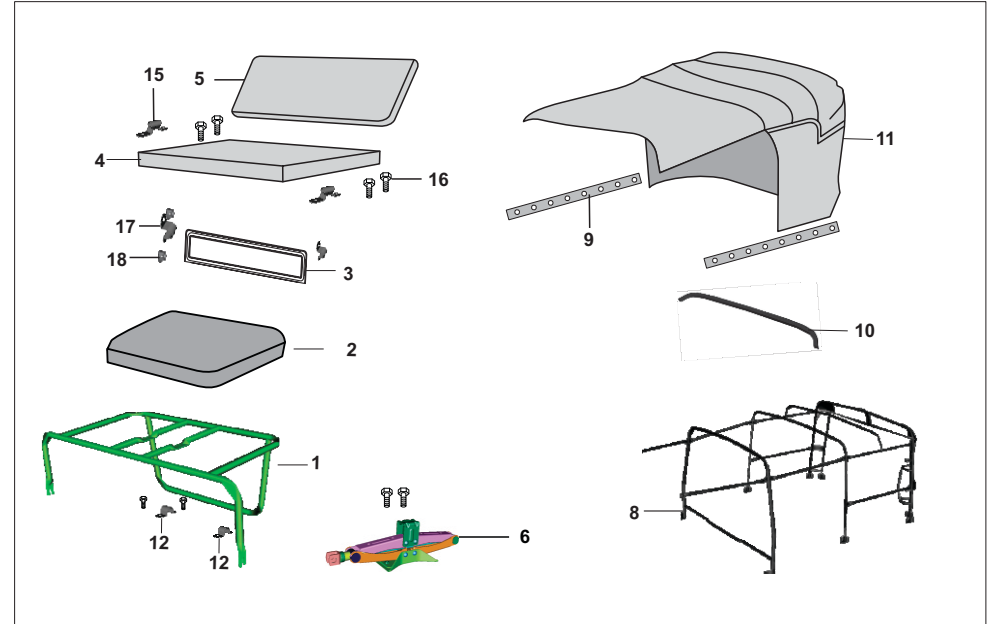


No.	Part No.	Description	BA	BA	BH	BB	Remarks
1	BH 1910 26	Driver seat frame	--	--	1	--	
2	39 1672 04	Flange bolt-m6 x 16	--	--	2	--	
3	BH 1910 32	Bracket seat base mtg	--	--	2	--	
4	39 1556 04	Bolt Flange	--	--	4	--	
5	BH 1910 31	Assembly seat cushion	--	--	1	--	
6	BH 1910 19	Driver backrest	--	--	1	--	
7	39 1972 15	Nut - Hexagon with flange-M5	--	--	4	--	
8	BH 1910 09	Seat assly passenger	--	--	1	--	
9	39 1557 04	Bolt M-8	--	--	6	--	
10	BH 1910 22	Back rest assly passenger	--	--	1	--	
11	39 2383 15	Nut - Hexagon with flange-M8	--	--	2	--	
12	BH 1812 01	Cover spare wheel	--	--	1	--	
13	KD BC05 12	Washer plain	--	--	2	--	
14	KB UB04 10	Screw truss	--	--	2	--	
15	BB 2210 04	Jack assly.	--	--	1	--	
16	KD DD06 30	Bolt jack	--	--	2	--	
17	BH 2130 09	Hood frame assly	--	--	1	--	
18	BH 2130 12	Hood complete	--	--	1	--	
19	AT 2130 01	Stripe hood fixing RR	--	--	2	--	
20	24 2317 72	Stick assembly - hood	--	--	1	--	
20	24 2317 75	Stick assembly - hood	--	--	1	--	
21	39 1501 11	Plain washer	--	--	7	--	
22	39 1159 02	Screw slotted pin head tapping	--	--	7	--	

BA - COMPACT
BA - COMPACT THL
BH - OPTIMA
BB - MAXIMA

PLATE NO. 55b : SEAT & HOOD FRAME - MAXIMA

RE COMPACT,OPTIMA
& MAXIMA DIESEL

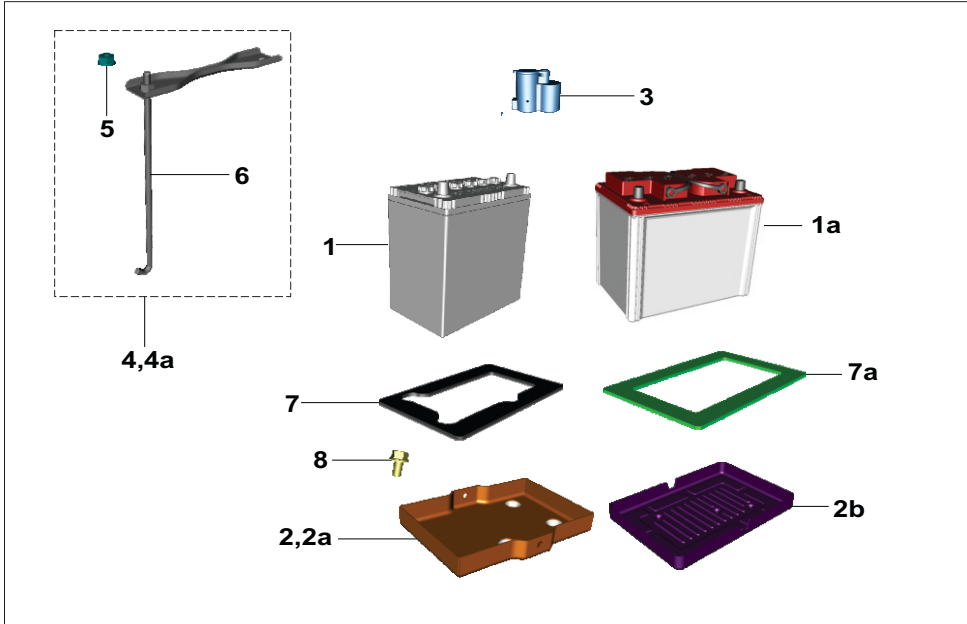


No.	Part No.	Description	BA	BA	BH	BB	Remarks
1	BB 2110 14	Driver seat frame	--	--	--	1	
2	BB 2110 12	Assembly seat cushion	--	--	--	1	
3	BB 2110 10	Driver backrest	--	--	--	1	
4	BB 2312 29	Seat assly passenger	--	--	--	1	
5	BB 2312 32	Back rest assly passenger	--	--	--	1	
6	BB 2210 04	Jackassly	--	--	--	1	
7	BB 2312 20	Frame assly passenger seat	--	--	--	1	NI
8	BB 2313 37	Hood frame assly	--	--	--	1	
9	AT 2130 01	Stripe hood fixing RR	--	--	--	1	
10	24 2317 72	Stick assembly - hood I	--	--	--	1	
10a	24 2317 75	Stick assembly - hood II	--	--	--	1	
11	BB 2313 38	Rexene hood cloth assembly	--	--	--	1	
12	24 2311 46	Clip	--	--	--	1	
13	BB 2312 69	Strap assy passenger seat clamp	--	--	--	2	NI
14	BB 2312 68	Damper	--	--	--	2	NI
15	BB 2312 27	Bracket assembly hinge	--	--	--	2	
16	39 1556 04	Bolt m8	--	--	--	4	
17	BB 2311 31	Clip for seat mounting	--	--	--	2	
18	39 1970 15	Nut m8	--	--	--	4	

BA - COMPACT
BA - COMPACT THL
BH - OPTIMA
BB - MAXIMA

PLATE NO. 56 : BATTERY

RE COMPACT,OPTIMA
& MAXIMA DIESEL

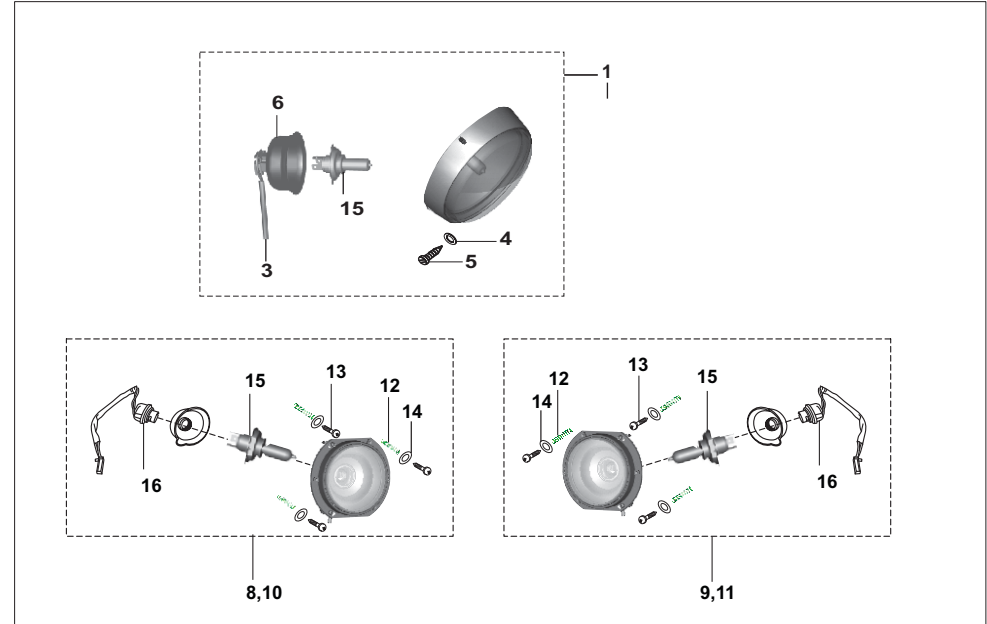


No.	Part No.	Description	BA	BA	BH	BB	Remarks
1	BA 2010 01	Battery from- 23.03.2015	1	1	1	-	NS
1a	AL 2010 20	Battery upto - 22.03.2015	--	--	--	1	NS
2	BH 1138 05	Battery tray	1	1	-	-	
2a	BH 1138 05	Battery tray	--	--	1	-	
2b	BB 1611 75	Battery Base	--	--	-	1	
3	36 BB00 33	Lock battery with key Kit	1	1	1	1	BB201018
3a	36 AL00 17	Lock battery without key kit	--	--	-	1	AL161230
4	AN 1610 74	Clamp Assly	1	1	1	-	
4a	BB 1612 26	Clamp Assly 50ah battery	--	--	-	1	
5	39 0817 15	Nut	1	1	1	1	
6	AN 1610 75	Tie rod	1	1	1	1	
7	BA 1610 29	Packing Battery	1	1	1	-	
7a	BB 1612 27	Packing Battery	--	--	-	1	
8	KA DA08 14	Bolt Flanged- Tray mounting	3	3	3	4	

BA - COMPACT
BA - COMPACT THL
BH - OPTIMA
BB - MAXIMA

PLATE NO. 57 : HEAD LIGHT ASSLY

RE COMPACT,OPTIMA
& MAXIMA DIESEL

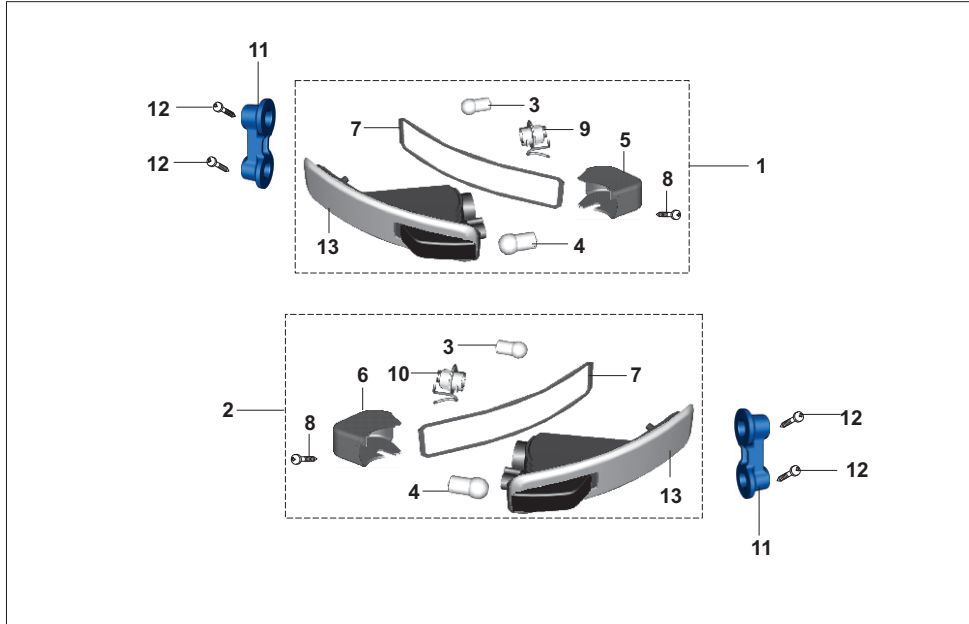


No.	Part No.	Description	BA	BA	BH	BB	Remarks
1	24 2013 68	Head light comp with lamp	1	-	-	-	
2	24 2013 78	Rim - head light(new)	1	-	-	-	NS
3	24 2013 80	Cable assly(head light hs1)	1	-	-	-	
4	01 2002 13	Washer cup	2	-	-	-	
5	KB ca04 14	Screw csk cross	2	-	-	-	
6	AP 2010 66	Rubber cap new head lights	1	-	-	-	
7	36 2440 75	Assly Reflector with holder	1	-	-	-	
8	AL 2011 19	H/I assly LH	-	1	1	--	
9	AL 2011 20	H/I assly RH	-	1	1	--	
10	BB 2010 68	Light assy head LH with lamp	-	-	-	1	
11	BB 2010 69	Light assy head RH with lamp	-	-	-	1	
12	BB 2010 70	Spring head lamp mounting	-	6	6	6	
13	AA 2012 64	Screw pan cross m5x40	-	6	6	6	
14	39 0258 11	Plain washer	-	6	6	-	
14	39 0219 11	Washer plain	-	-	-	6	
15	CL 2010 23	Lamp 12v-35/35w-hs1	2	2	2	2	
16	AA 2012 62	Rubber cap headlamp	-	2	2	2	

BA - COMPACT
BA - COMPACT THL
BH - OPTIMA
BB - MAXIMA

PLATE NO. 58 : INDICATOR ASSLY

RE COMPACT,OPTIMA
& MAXIMA DIESEL

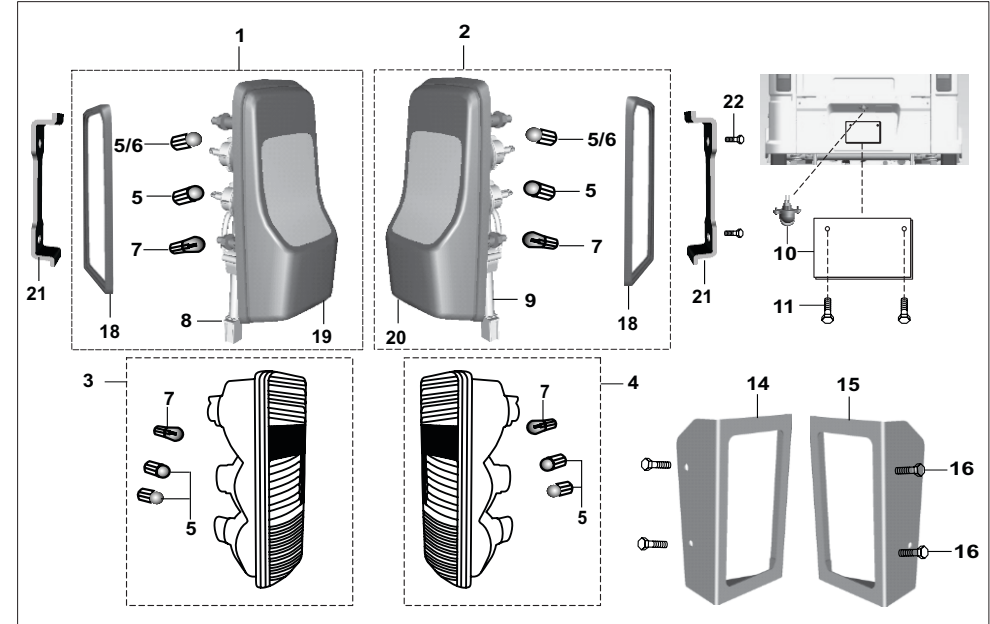


No.	Part No.	Description	BA	BA	BH	BB	Remarks
1	24 2014 87	Ind assly. Front LH/ lamp	1	1	1	1	
2	24 2014 88	Ind assly. Front RH/ lamp	1	1	1	1	
3	DJ 2010 72	Lamp 12v 5w	2	2	2	2	
4	06 2010 83	Lamp 12v 10w	2	2	2	2	
5	24 2014 85	Cover side indicator FR LH	1	1	1	1	
6	24 2014 86	Cover side indicator FR RH	1	1	1	1	
7	24 2014 84	Gasket front side indicator refl	1	1	1	1	
8	KB RB35 25	Screw tapping pan slotted	2	2	2	2	
9	24 2015 02	Cable fr indi with holder LH	1	1	1	1	
10	24 2015 03	Cable fr indi with holder RH	1	1	1	1	
11	24 2015 23	Holder front indicator assly	2	2	2	2	
12	KB RB35 13	Screw tapping pan cross	4	4	4	4	
13	24 2015 04	Assembly lens & reflector fr ind	2	2	2	2	

BA - COMPACT
BA - COMPACT THL
BH - OPTIMA
BB - MAXIMA

PLATE NO. 59 : TAIL LAMP

RE COMPACT,OPTIMA
& MAXIMA DIESEL

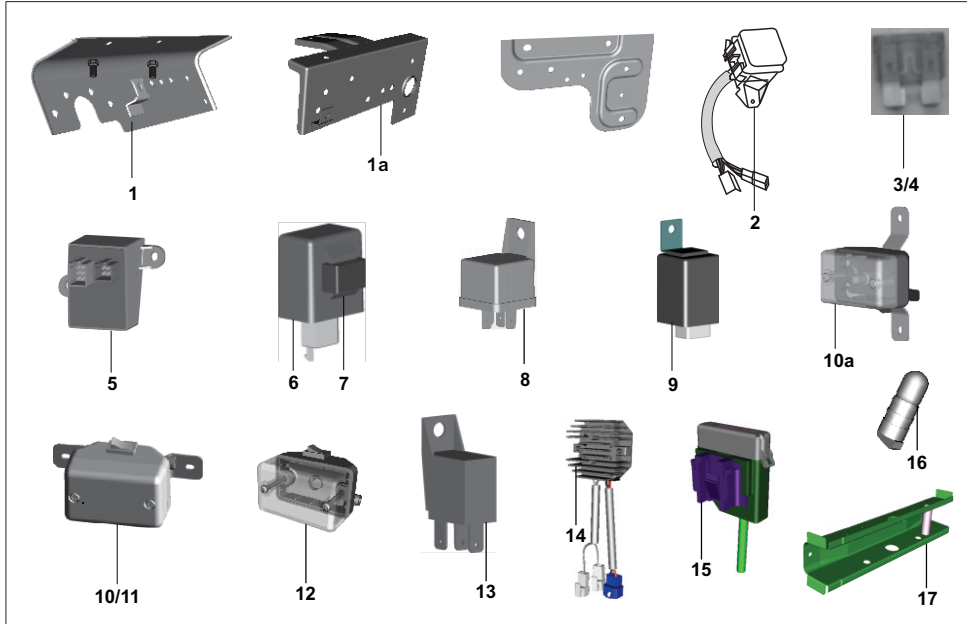


No.	Part No.	Description	BA	BA	BH	BB	Remarks
1	24 2014 72	Tail light LH with lamp	1	1	-	1	
2	24 2014 73	Tail light RH with lamp	1	1	-	1	
3	BH 4010 00	Tail light LH with lamp	-	-	1	--	
4	BH 4010 02	Tail light RH with lamp	-	-	1	--	
5	06 2010 83	Lamp 12v 10w	4	4	4	--	
6	GH 2010 12	Llamp:-12v-10w (colour:-amber)	2	2	-	2	
7	AA 2012 27	Lamp 12v 18/5w	2	2	2	2	
8	24 2015 00	Cable taillamp with holder LH	1	1	-	1	
9	24 2015 01	Cable taillamp with holder RH	1	1	-	1	
10	BH 4010 04	Number plate light with lamp	-	-	1	--	
11	39 1680 04	Bolt flange m6	2	2	2	2	
12	KA AG08 85	Bolt	2	2	-	-	NI
13	39 0817 15	Bolt	2	2	2	2	NI
14	BB 1611 82	Bracket tail lamp mtg LH	-	-	-	1	
15	BB 1611 84	Bracket tail lamp mtg RH	-	-	-	1	
16	KA DA08 14	Bolt flanged	4	4	4	4	
17	KB RA42 19	Screw tapping pan cross	4	4	-	4	NI
18	24 2014 76	Gasket tail light assembly refl	2	2	-	1	
19	24 2014 77	Lens tail light LH refl	1	1	-	1	
20	24 2014 99	Lens tail light RH refl	1	1	-	1	
21	AA 2010 90	Bracket mounting tail light	2	2	-	2	
22	KC GD06 06	Nut hex flanged	4	4	4	4	

BA - COMPACT
BA - COMPACT THL
BH - OPTIMA
BB - MAXIMA

PLATE NO. 60 : ELECTRICAL UNITS

RE COMPACT,OPTIMA
& MAXIMA DIESEL

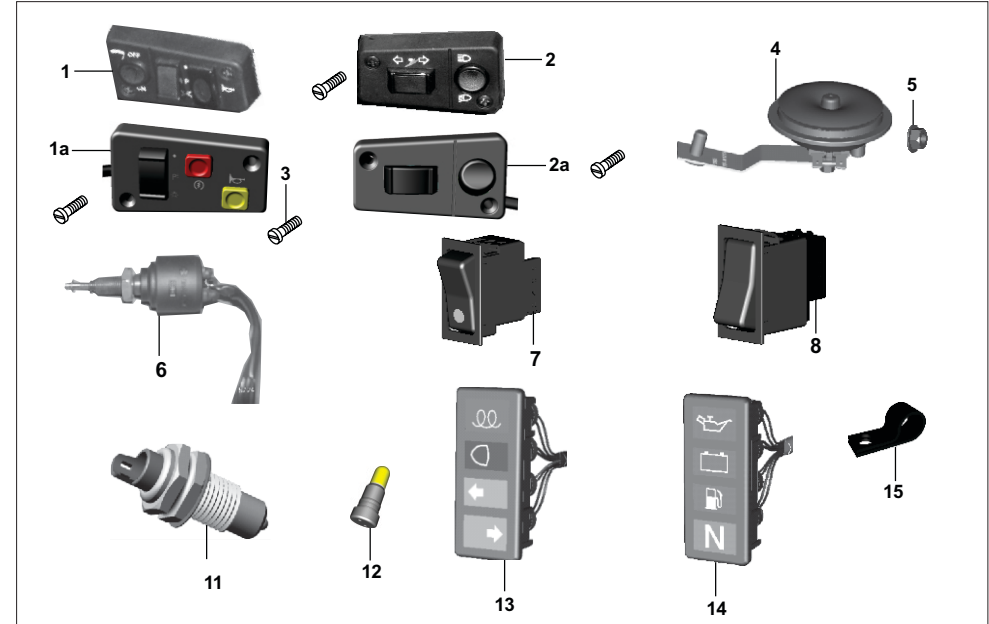


No.	Part No.	Description	BA	BA	BH	BB	Remarks
1	AP 2010 37	Plate electrical units FR	-	1	1	-	
1a	AL 1612 73	Plate electrical units FR	-	-	-	1	
2	AL 2010 82	Fuse box assembly	-	1	1	1	
3	BA 2011 29	Fuse box assembly	1	-	-	-	
3	AK 2010 12	Fuse blade type 10 amp	6	6	6	6	
4	DG 2010 84	Fuse :- 30 amps (blade type)	-	1	1	1	
5	BG 4032 06	Assy combine control unit	1	1	1	1	
6	AB 2010 76	Relay flasher (hazard)	1	1	1	1	
7	31 2010 29	Holder for relay	1	1	1	1	
8	BA 2010 17	Starter relay	1	1	1	1	
9	BB 1110 09	Glow plug timer	1	1	1	1	
10	AL 2010 39	Lamp (light) assembly - cabin	-	-	1	-	
10a	AL 2010 73	Lamp (light) assembly - cabin	-	-	-	1	
11	AP 2010 58	Cabin light assembly	1	1	1	1	AF201081
12	AF 2010 81	Lamp light assembly cabin lamp	1	1	-	-	
13	AL 2010 12	Relay head light	2	2	2	2	
14	BB 2010 22	Regulator	1	1	1	1	BA201158
15	BH 4022 20	Assembly fuse box blade type	1	1	1	1	
16	24 2015 15	Bulb 12v,10w,capless-cab	1	1	1	1	
17	BA 1611 46	Plate electrical units RR	1	1	-	-	
18	BB 1612 52	Plate assly ele unit mtg	-	-	-	1	NI

BA - COMPACT
BA - COMPACT THL
BH - OPTIMA
BB - MAXIMA

PLATE NO. 61 : SWITCHES

RE COMPACT,OPTIMA
& MAXIMA DIESEL



No.	Part No.	Description	BA	BA	BH	BB	Remarks
1	BA 2011 72	Switch control RH	1	1	1	1	
1a	BH 4014 01	Switch control RH HC	1	1	1	1	
2	BA 2011 71	Switch control LH	1	1	1	1	
2a	AL 2010 60	Switch control LH HC	1	1	1	1	
3	AL 2010 62	Slotted ch. Hd. Screw	4	4	4	4	
4	AA 2012 39	Horn dc 12v with transil diode	1	1	1	1	
5	39 2295 15	Nut - flange :- m8	1	1	1	1	
6	AF 2010 94	Brake switch	1	1	1	1	
7	AL 2010 31	Switch for stereo connection	-	1	1	1	
8	AB 2010 77	Switch hazard warning	1	1	1	1	
9	BA 2010 82	Oil pressure switch	1	1	1	1	
10	BH 4014 00	Reverse switch	1	1	1	1	NI
11	AP 1110 23	Neutral switch	1	1	1	1	
12	CM 2010 54	Lamp 12v 2w	4	4	4	-	
13	BA 2011 20	Indicator light assy/lamp	1	-	-	-	
14	BA 2010 93	Indicator light assy/lamp	1	-	-	-	
15	AL 2010 70	Clip p for new control switch	2	2	2	2	
16	39 2631 01	Screw pan head m5	2	2	2	2	NI

BA - COMPACT
BA - COMPACT THL
BH - OPTIMA
BB - MAXIMA

KIT LIST

**RE COMPACT,OPTIMA
& MAXIMA DIESEL**

Sr. No.	Kit Part No.	Kit Description	Consisting of Following Parts				
			Part No.	Description	Qty./Kit		
1.	24151168	Strut assly FR complete	24151129	Strut plate FR	1		
			24151131	Pinion	1		
			24151130	Plate ratchet	1		
			24151139	Pin ratchet	1		
			24151132	Spring strut LH	1		
2.	24151176	Strut assly LH complete	24151144	Strut plate LH	1		
			24151131	Pinion	1		
			24151130	Plate ratchet	1		
			24151139	Pin ratchet	1		
			24151132	Spring strut LH	1		
3.	24151180	Strut assly RH complete	24151151	Strut plate RH	1		
			24151131	Pinion	1		
			24151130	Plate ratchet	1		
			24151139	Pin ratchet	1		
			24151152	Spring strut RH	1		
4.	24151170	Ratchet kit for FR & LH	24151130	Plate ratchet	1		
			24151139	Pin ratchet	1		
			24151132	Spring strut LH	1		
5.	24151181	Ratchet kit RH	24151130	Plate ratchet	1		
			24151139	Pin ratchet	1		
			24151152	Spring strut RH	1		
6.	24151268	Brake shoe kit (ask)	24151138	Spring shoe clamping	2		
			24151137	Pin pivot shoe	2		
			BH131824	Shoe assly brake	2		
7.	24151172	Shoe clamp spring kit	24151138	Spring shoe clamping	2		
			24151137	Pin pivot shoe	2		
			BB151064	Shoe clamp spring kit	AL151201	Spring shoe clamping	2
AL151202	Pin pivot shoe	2					
8.	24151182	Spring kit (Compact, Optima)	24151133	Main spring	3		
			24151153	Spring strut holding RH	1		
			24151135	Spring shoe holding	1		
			BB151062	Spring kit LH (Maxima)	AL151196	Shoe return spring lower	1
					AL151195	Main spring	1
BB151063	spring kit RH (Maxima)	AL151197	Adjuster holding spring LH	1			
		AL151196	Shoe return spring lower	1			
		AL151195	Main spring	1			
9.	24151177	Lever parking brake LH	AL151198	Adjuster holding spring RH	1		
			24151147	Pin split - HBL	1		
			24151146	Pin pivot-park lever	1		
			24151148	Washer- plain park lever	1		
			BH131813	Lever parking brake LH	1		

BA - COMPACT
BA - COMPACT THL
BH - OPTIMA
BB - MAXIMA

KIT LIST

**RE COMPACT,OPTIMA
& MAXIMA DIESEL**

Sr. No.	Kit Part No.	Kit Description	Consisting of Following Parts		
			Part No.	Description	Qty./Kit
10.	24151183	Lever parking brake RH	24151147	Pin split - HBL	1
			24151146	Pin pivot-park lever	1
			24151148	Washer- plain park lever	1
			BH131814	Lever parking brake RH	1
			11.	BB151065 24151113	Wheel cylinder major kit (Maxima) Wheel cylinder major kit (Com., Opt.)
AB151079	Bleeder screw	1			
24151106	Protection boot	2			
24151105	Rebound spring	1			
24151116	Piston lip sea	2			
24151166	Slotted piston	2			
12.	BB151066 24151114	Wheel cylinder minor kit(maxima) Wheel cylinder minor kit(com., Opt.)	24151106	Protection boot	2
			24151105	Rebound spring	1
			24151116	Piston lip seal	2
13.	24151113	Wheel cylinder assly rear LH (Compact, Optima)	24151102	Wheel cylinder honed rear	1
			AB151052	Bleeder screw cap	1
			AB151079	Bleeder screw	1
			24151106	Protection boot	2
			24151105	Rebound spring	1
			24151116	Piston lip seal	2
13.	AL151210 AL151193	Wheel cylinder assly rear RH Wheel cylinder assly rear LH (Maxima)	AB151052	Bleeder screw cap	1
			AB151079	Bleeder screw	1
			24151106	Protection boot	2
			24151105	Rebound spring	1
			24151116	Piston lip seal	2
			24151166	Slotted piston	2
14.	BB151067	Brake shoe leading kit	AL151201	Spring shoe clamping	2
			AL151202	Pivot pin shoe	2
			BB151060	Shoe assly brake leading	1
15.	BB151070	Brake shoe trailing with hbl RH kit	AL151201	spring shoe clamping	2
			AL151202	pivot pin shoe	2
			BB151059	shoe assly brake leading with hbl RH	1
16.	BB151069	Brake shoe trailing with hbl LH kit	AL151201	spring shoe clamping	2
			AL151202	pivot pin shoe	2
			BB151058	shoe assly brake leading with hbl LH	1
17.	BB151068	Brake shoe trailing with hbl RH kit	AL151201	Spring shoe clamping	2
			AL151202	Pivot pin shoe	2
			BB151057	Shoe assly brake leading with hbl	1
18.	36BB0006	Cylinder liner piston kit	BB101095	Piston assly (with p.ring)	1
			BB100400	Cylinder liner	1

BA - COMPACT
BA - COMPACT THL
BH - OPTIMA
BB - MAXIMA

KIT LIST

**RE COMPACT,OPTIMA
& MAXIMA DIESEL**

Sr. No.	Kit Part No.	Kit Description	Consisting of Following Parts		
			Part No.	Description	Qty./Kit
19.	36BB0007	Kit cylinder piston assly bsiii	BB101081	Cylinder crankcase assembly	1
			BB101095	Piston assly (with p.ring)	1
			24221021	Tool wrench :- 10 x 12	1
20.	36BH0006	Kit boot	BH551416	Boot	1
			BH551415	Boot clamp large	1
			BH551417	Boot clamp small	1
			BH551423	Grease	1
			BH551416	Boot	1
21.	36BH0007	Kit boot & retainer	BH551415	Boot clamp large	1
			BH551417	Boot clamp small	1
			BH551423	Grease	1
			BH551413	Retainer sheet	1
			BH551414	Boot insert	1
			BH551408	Obj tulip	1
			BH551415	Boot clamp large	1
22.	36BH0008	Kit obj	BH551417	Boot clamp small	1
			BH551423	Grease	1
			BB133077	Obj tulip	1
			BH551415	Boot clamp large	1
22.	36BH0009	Kit obj	BH551417	Boot clamp small	1
			BH551423	Grease	1
			BH551415	Boot clamp large	1
			BH551417	Boot clamp small	1
23.	36BH0010	Kit obj & tripod	BH551423	Grease	1
			BH551412	Finished roller	3
			BH551411	Tripod finished	1
			BH551410	Circlip	1
			BH551415	Boot clamp large	1
			BH551417	Boot clamp small	1
			BH551408	Obj tulip	1
24.	36BH0011	Kit obj & tripod	BH551410	Circlip	1
			BH551411	Tripod finished	1
			BH551412	Finished roller	3
			BH551423	Grease	1
			BH551417	Boot clamp small	1
			BH551415	Boot clamp large	1
			BB133077	Obj tulip	1
25.	36BH0012	Kit ibj-all	BH551423	Grease	1
			BH551417	Boot clamp small	1
			BH551415	Boot clamp large	1
			BH551422	ljb tulip	1
26.	36BH0019	Kit roller	BH551412	Finished roller	3

BA - COMPACT
BA - COMPACT THL
BH - OPTIMA
BB - MAXIMA

KIT LIST

**RE COMPACT,OPTIMA
& MAXIMA DIESEL**

Sr. No.	Kit Part No.	Kit Description	Consisting of Following Parts		
			Part No.	Description	Qty./Kit
27.	36BH0013	Kit ibj & tripod	BH551422	ljb tulip	1
			BH551415	Boot clamp large	1
			BH551417	Boot clamp small	1
			BH551423	Grease	1
			BH551412	Finished roller	3
			BH551411	Tripod finished	1
			BH551410	Circlip	1
28.	36BH0014	Kit barshaft LH	BH551418	Barshaft LH	1
			BH551410	Circlip	2
			BH551415	Boot clamp large	2
			BH551417	Boot clamp small	2
			BH551416	Boot	2
			BH551418	Barshaft LH	1
29.	36BH0017	Kit barshaft LH	BB133078	Barshaft LH	1
			BH551410	Circlip	2
			BH551415	Boot clamp large	2
			BH551417	Boot clamp small	2
			BH551416	Boot	2
30.	36BH0015	Kit barshaft RH	BH551419	Barshaft RH	1
			BH551410	Circlip	2
			BH551415	Boot clamp large	2
			BH551417	Boot clamp small	2
			BH551416	Boot	2
31.	36BH0018	Kit barshaft RH	BB133079	Barshaft RH	1
			BH551410	Circlip	2
			BH551415	Boot clamp large	2
			BH551417	Boot clamp small	2
			BH551416	Boot	2
32.	BG231000	Tool kit complete AZ231000	DJ221014	Screw driver	1
			24221022	Spanner - flat :- 7 x 8	1
			24221024	Spanner - flat :- 13 x 14	1
			24221028	Plier tool	1
			BB221006	Spanner : wheel	1
			BB221007	Bar: tommy	1
			24221026	Spanner tube 21x17	1
			5220206	Tommy bar	1
33.	24221031	Tool kit complete	DF221048	Spanner -box:16x14 with valu	1
			24221019	Bag - tool	1
			DJ221014	Screw driver	1
			24221026	Spanner tube 21x17	1
			5220206	Tommy bar	1
			24221024	Spanner - flat :- 13 x 14	1
			24221022	Spanner - flat :- 7 x 8	1
			24221028	Plier tool	1

BA - COMPACT
BA - COMPACT THL
BH - OPTIMA
BB - MAXIMA

KIT LIST

**RE COMPACT,OPTIMA
& MAXIMA DIESEL**

Sr. No.	Kit Part No.	Kit Description	Consisting of Following Parts		
			Part No.	Description	Qty./Kit
34.	BG231000	Tool kit complete AZ231000	DJ221014	Screw driver	1
			24221022	Spanner - flat :- 7 x 8	1
			24221024	Spanner - flat :- 13 x 14	1
			24221028	Plier tool	1
			BB221006	Spanner : wheel	1
			BB221007	Bar: tommy	1
			24221026	Spanner tube 21x17	1
			5220206	Tommy bar	1
			DF221048	Spanner - box:16x14 with valu	1
			24221021	Tool wrench :- 10 x 12	1
35.	BB221005	Tool kit complete	DF221043	Tool driver:olive green & plastic handle	1
			BB221006	Spanner : wheel	1
			24221022	Spanner - flat :- 7 x 8	1
			24221021	Tool wrench :- 10 x 12	1
			24221024	Spanner - flat :- 13 x 14	1
			AL221017	Spanner flat 14 x 17	1
			AL221018	Tool plier (olive green)	1
			BB221007	Bar: tommy	1
			22221016	Bag - polyethylene	1
			AL221019	Tool bag	1
36.	36BH0006	Kit boot	BH551416	Boot	1
			BH551415	Boot clamp large	1
			BH551417	Boot clamp small	1
			BH551423	Grease	1
37.	36BH0007	Kit boot & retainer	BH551416	Boot	1
			BH551415	Boot clamp large	1
			BH551417	Boot clamp small	1
			BH551423	Grease	1
			BH551413	Retainer sheet	1
			BH551414	Boot insert	1
38.	36BH0008	Kit obj	BH551408	Obj tulip	1
			BH551415	Boot clamp large	1
			BH551417	Boot clamp small	1
			BH551423	Grease	1
39.	36BH0009	Kit obj	BB133077	Obj tulip	1
			BH551415	Boot clamp large	1
			BH551417	Boot clamp small	1
			BH551423	Grease	1

BA - COMPACT
BA - COMPACT THL
BH - OPTIMA
BB - MAXIMA

KIT LIST

**RE COMPACT,OPTIMA
& MAXIMA DIESEL**

Sr. No.	Kit Part No.	Kit Description	Consisting of Following Parts					
			Part No.	Description	Qty./Kit			
40.	36BH0010	Kit obj & tripod	BH551408	Obj tulip	1			
			BH551415	Boot clamp large	1			
			BH551417	Boot clamp small	1			
			BH551423	Grease	1			
			BH551412	Finished roller	1			
			BH551411	Tripod finished	1			
			BH551410	Circlip	1			
			41.	36BH0011	Kit obj & tripod	BB133077	Obj tulip	1
						BH551415	Boot clamp large	1
						BH551417	Boot clamp small	1
BH551423	Grease	1						
BH551412	Finished roller	3						
BH551411	Tripod finished	1						
42.	36BH0012	Kit ibj-all	BH551422	Ibj tulip	1			
			BH551415	Boot clamp large	1			
			BH551417	Boot clamp small	1			
			BH551423	Grease	1			
43.	36BH0030	Kit ibj-all	BH551426	Ibj tulip	1			
			BH551415	Boot clamp large	1			
			BH551417	Boot clamp small	1			
			BH551423	Grease	1			
44.	36BH0013	Kit ibj & tripod	BH551422	Ibj tulip	1			
			BH551415	Boot clamp large	1			
			BH551417	Boot clamp small	1			
			BH551423	Grease	1			
			BH551412	Finished roller	3			
			BH551411	Tripod finished	1			
45.	36BH0031	Kit ibj & tripod	BH551426	Ibj tulip	1			
			BH551415	Boot clamp large	1			
			BH551417	Boot clamp small	1			
			BH551423	Grease	1			
			BH551412	Finished roller	3			
			BH551411	Tripod finished	1			
46.	36BH0014	Kit barshaft LH	BH551410	Circlip	1			
			BH551418	Barshaft lh	1			
			BH551410	Circlip	2			
			BH551415	Boot clamp large	2			
			BH551417	Boot clamp small	2			
			BH551416	Boot	2			

BA - COMPACT
BA - COMPACT THL
BH - OPTIMA
BB - MAXIMA

KIT LIST

**RE COMPACT,OPTIMA
& MAXIMA DIESEL**

Sr. No.	Kit Part No.	Kit Description	Consisting of Following Parts		
			Part No.	Description	Qty./Kit
47.	36BH0017	Kit barshaft LH	BB133078	Barshaft lh	1
			BH551410	Circlip	2
			BH551415	Boot clamp large	2
			BH551417	Boot clamp small	2
			BH551416	Boot	2
48.	36BH0015	Kit barshaft RH	BH551419	Barshaft rh	1
			BH551410	Circlip	2
			BH551415	Boot clamp large	2
			BH551417	Boot clamp small	2
			BH551416	Boot	2
49.	36BH0018	Kit barshaft rh	BB133079	Barshaft rh	1
			BH551410	Circlip	2
			BH551415	Boot clamp large	2
			BH551417	Boot clamp small	2
			BH551416	Boot	2
50.	36BH0019	Kit roller	BH551412	Finished roller	3

BA - COMPACT
 BA - COMPACT THL
 BH - OPTIMA
 BB - MAXIMA

KIT LIST

**RE COMPACT,OPTIMA
& MAXIMA DIESEL**

Sr. No.	Kit Part No.	Kit Description	Consisting of Following Parts		
			Part No.	Description	Qty./Kit

BA - COMPACT
 BA - COMPACT THL
 BH - OPTIMA
 BB - MAXIMA

**RE COMPACT,OPTIMA
& MAXIMA DIESEL**

Part No.	Page No.	Figure No.
11003442	46	4
11605009	33	5
11605009	34	3
11605009	35	4
11607117	76	9
11801223	18	7
11801223	24	7
12002113	83	4
15101011	13	3
19101016	16	7
19101017	16	8
19101018	16	9
19101019	16	10
19101020	16	11
20101020	15	13
21100711	18	10
21150306	47	3
21150422	60	2
21180307	57	17
21180308	57	18
22131014	19	10
22131014	20	10
22150507	62	11
22151068	47	2
22151106	46	10
22160805	65	10
22161221	69	12
22170115	48	5
22170118	48	11

Part No.	Page No.	Figure No.
22171007	46	6
22181058	57	16
22200161	74	11
22230635	70	9
22231281	70	21
22250132	75	9
24130111	19	12
24131032	19	8
24131074	42	12
24131098	42	17
24151059	72	9
24151060	73	10
24151061	62	9
24151067	62	12
24151068	62	13
24151087	61	2
24151090	61	4
24151092	61	7
24151093	61	8
24151094	61	3
24151097	61	9
24151098	61	10
24151107	53	36
24151108	53	37
24151109	47	1
24151113	53	39
24151114	53	40
24151129	52	15
24151130	52	17

**RE COMPACT,OPTIMA
& MAXIMA DIESEL**

Part No.	Page No.	Figure No.
24151131	52	16
24151132	52	13
24151133	52	7
24151134	52	8
24151135	52	9
24151137	52	10
24151138	52	11
24151139	52	18
24151144	52	15a
24151146	53	21
24151147	53	20
24151148	53	22
24151151	52	15b
24151152	52	14
24151153	52	8a
24151163	53	35
24151164	53	38
24151168	52	12
24151169	53	25
24151170	53	30
24151171	53	44
24151172	53	28
24151174	52	5
24151175	52	12b
24151176	53	26
24151177	53	32
24151178	52	6
24151179	52	12a
24151180	53	27

Part No.	Page No.	Figure No.
24151181	53	31
24151182	53	29
24151183	53	33
24151221	60	6
24151232	62	2
24151234	60	5
24151238	62	14
24151243	52	1a
24151247	49	25
24151247	60	9
24151255	62	3
24151256	62	1
24151258	61	1
24151266	48	8
24151268	52	19
24161176	59	22
24161176	76	11
24161368	66	2
24161371	66	3
24161373	66	6
24161443	57	11
24161446	74	8
24161505	65	2
24165116	69	1
24165116	69	3
24165132	69	13
24165137	76	14
24165214	69	4
24165215	74	4

**RE COMPACT,OPTIMA
& MAXIMA DIESEL**

Part No.	Page No.	Figure No.
24165216	77	14
24165218	65	9
24165230	74	10
24165234	69	1
24165255	69	15
24165302	69	16
24165303	65	3
24170425	42	8
24170431	31	7
24170507	45	6
24171014	42	2
24171024	46	3
24171049	45	7
24171066	42	16
24171075	46	12
24171117	49	39
24171118	46	1
24171129	49	26
24171136	48	1
24171138	49	27
24171179	44	1
24171180	44	2
24181046	57	10
24181047	57	12
24181160	56	1
24181161	57	24
24191098	64	13
24191101	64	15
24191108	65	1

Part No.	Page No.	Figure No.
24191120	73	18
24191178	73	11
24191179	73	12
24191180	73	13
24191184	64	10
24191185	64	11
24191187	64	18
24201368	83	1
24201378	83	2
24201380	83	3
24201472	85	1
24201473	85	2
24201476	85	18
24201477	85	19
24201484	84	7
24201485	84	5
24201486	84	6
24201487	84	1
24201488	84	2
24201499	85	20
24201500	85	8
24201501	85	9
24201502	84	9
24201503	84	10
24201504	84	13
24201515	86	16
24201523	84	11
24201524	70	10
24201525	71	21

**RE COMPACT,OPTIMA
& MAXIMA DIESEL**

Part No.	Page No.	Figure No.
24201526	70	11
24221031	76	22
24221032	76	16
24221034	76	15
24230176	76	5
24230185	59	21
24230185	76	10
24230198	66	14
24230198	68	16
24230198	78	5
24231090	76	12
24231091	76	13
24231146	79	5
24231146	81	12
24231157	76	11
24231245	76	4
24231245	78	4
24231336	74	3a
24231421	79	13
24231475	71	20
24231499	76	6
24231611	81	10
24231615	70	7
24231615	71	5
24231616	70	8
24231616	71	6
24231620	79	25
24231625	71	9
24231641	70	6

Part No.	Page No.	Figure No.
24231641	71	4
24231661	70	5
24231662	70	22
24231705	79	23
24231726	74	3
24231748	79	14
24231761	79	16
24231762	79	17
24231772	79	19
24231775	80	20
24231778	70	3
24231779	70	4
24231780	70	2
25231064	76	19
30101185	49	28
30121004	64	17
30151065	14	2
30151065	21	2
31201001	78	23
31201029	86	7
31502007	14	13
31701009	48	17
31902004	33	4
31902004	35	5
33141007	34	12
33141008	34	11
33141008	35	8
35161060	68	19
35171033	51	18

**RE COMPACT,OPTIMA
& MAXIMA DIESEL**

Part No.	Page No.	Figure No.
36224005	65	11
36244024	76	8
36244044	76	7
39003801	70	20
39006204	59	9
39007104	71	15
39007104	78	15
39008504	70	13
39008504	71	12
39011904	42	3
39014608	62	8
39014708	62	5
39014708	63	6
39019811	14	10
39019811	39	15
39019811	57	19
39019811	59	17
39019911	62	7
39020111	64	3
39020811	62	4
39020811	63	5
39021111	67	28
39021111	79	12
39021911	83	14
39023011	79	3
39023511	49	23
39023911	27	20
39024811	39	9
39024811	40	5

Part No.	Page No.	Figure No.
39025811	71	13
39025811	83	14
39026212	78	16
39026312	50	12
39026312	51	12
39026312	78	11
39026512	39	19
39026512	40	7
39026912	45	8
39028715	25	19
39028715	70	19
39029415	33	9
39029515	49	33
39029615	39	11
39029615	40	2
39029615	58	7
39029615	64	5
39029615	49	38
39030315	44	7a
39031215	47	5a
39031215	47	7
39031215	50	17
39032615	70	18
39034217	46	7
39037511	22	17
39039004	28	10
39039004	32	7
39039004	79	2
39042304	55	22

**RE COMPACT,OPTIMA
& MAXIMA DIESEL**

Part No.	Page No.	Figure No.
39042606	15	4
39043501	11	11
39043501	32	8
39045411	69	7
39045411	69	10
39046715	29	17
39046715	39	7
39046715	40	14
39046715	41	19
39052611	39	4
39054311	49	35
39064517	25	9
39069015	44	9
39069415	11	5
39069415	32	4
39069415	49	41
39069415	62	10
39070311	25	6
39071411	29	15
39071411	40	15
39071411	41	18
39071411	47	9a
39073712	47	8a
39073817	16	16
39074011	51	19
39075601	31	16
39076101	25	3
39076101	78	18
39078912	49	40

Part No.	Page No.	Figure No.
39078912	58	6
39078912	49	37
39079012	25	4
39079415	73	19
39079815	60	14
39079815	65	8
39079815	79	11
39080204	12	9
39080411	15	12
39081411	31	14
39081411	78	10
39081715	38	8
39081715	59	4
39081715	82	5
39081715	85	13
39087404	40	6
39090012	25	20
39092101	79	18
39093915	58	16
39095615	47	5
39099206	15	5
39101321	1	6
39104619	15	7
39105411	49	36
39105411	58	5
39106901	59	3
39107404	60	13
39107901	50	13
39107901	51	13

**RE COMPACT,OPTIMA
& MAXIMA DIESEL**

Part No.	Page No.	Figure No.
39115902	79	21
39115902	80	22
39118011	50	15
39118011	8	10
39118011	32	9
39118011	33	11
39118011	40	9
39118011	41	8
39118011	51	15
39118215	42	15
39119704	10	6
39121111	59	15
39121111	65	7
39122411	40	1
39122515	41	12
39132420	13	5
39133615	45	5
39135315	59	13
39137704	64	2
39138904	32	5
39138904	61	11
39139404	13	13
39139604	40	3
39142305	11	3
39142305	13	10
39143020	7	8
39143104	11	15
39143104	13	12
39143520	6	4

Part No.	Page No.	Figure No.
39143620	3	4
39144525	10	10
39148720	14	3
39149721	10	5
39149819	14	7
39149919	5	8
39150111	79	20
39150111	80	21
39152301	67	27
39152401	67	24
39152401	68	20
39153419	13	4
39153519	12	4
39153721	14	13
39154704	8	15
39154905	23	30
39155104	27	22
39155204	27	3
39155604	23	19
39155604	26	13
39155604	27	6
39155604	28	8
39155604	38	16
39155604	80	4
39155604	81	16
39155704	80	9
39155804	9	6
39156015	22	16
39156121	8	6

**RE COMPACT,OPTIMA
& MAXIMA DIESEL**

Part No.	Page No.	Figure No.
39156221	1	12
39156221	9	8
39156221	13	17
39156221	21	6
39156221	25	15
39156421	9	10
39156421	58	13
39156706	25	8
39156806	22	2
39156906	1	7
39156906	9	3
39157006	7	5
39157104	25	17
39157217	17	21
39157311	8	20
39157704	39	17
39157815	25	11
39157915	8	16
39157915	38	13
39158015	8	9
39158115	8	8
39158211	11	13
39158511	13	19
39158511	14	16
39158511	21	12
39158721	14	8
39163505	27	10
39163505	1	13
39167204	80	2

Part No.	Page No.	Figure No.
39168004	8	14
39168004	23	22
39168004	23	28
39168004	59	14
39168004	85	11
39168104	36	15
39168606	10	19
39170207	62	6
39170415	67	21
39170704	39	10
39171404	32	6
39173719	50	3
39173719	51	3
39177304	30	11
39179104	46	16
39180204	10	20
39182612	17	25
39182612	27	21
39182612	39	16
39182712	29	16
39182712	39	5
39182712	40	13
39182712	41	11
39182712	45	8
39182812	11	14
39182812	32	10
39182812	33	10
39182812	40	8
39182812	47	6

**RE COMPACT,OPTIMA
& MAXIMA DIESEL**

Part No.	Page No.	Figure No.
39182912	39	12
39182912	40	4
39182912	47	6a
39182912	47	8
39182912	50	16
39182912	51	16
39183911	68	21
39186101	68	7
39187411	16	15
39190204	78	12
39190701	69	14
39190701	77	13
39191204	29	9
39191204	31	10
39191304	31	11
39194304	14	20
39194404	59	16
39195804	17	24
39197015	11	16
39197015	12	10
39197015	13	11
39197015	21	13
39197015	27	11
39197015	81	18
39197215	80	7
39203804	50	10
39203804	51	10
39220307	4	8
39223704	41	6

Part No.	Page No.	Figure No.
39224020	50	4
39226405	1	14
39226405	22	5
39226405	38	21
39229515	41	9
39229515	79	4
39229515	87	5
39235717	48	15
39236220	48	3
39237423	65	5
39237523	59	8
39238315	80	11
39242411	59	6
39245401	66	13
39246417	50	7
39246417	51	7
39246520	51	4
39248415	70	14
39248415	71	14
39248415	71	16
39248415	79	8
39251604	58	4
39251704	40	16
39253404	50	19
39253815	47	7a
39253815	51	17
39255020	48	2
39260607	2	20
39260715	44	7

**RE COMPACT,OPTIMA
& MAXIMA DIESEL**

Part No.	Page No.	Figure No.
39260715	45	9
39263101	87	16
39264223	59	12
51612556	65	4
51903001	49	20
51903002	49	24
51910005	49	21
52210040	76	18
52240645	70	1
52240645	71	1
52240664	76	2
52240667	74	1c
52240668	78	1
52240669	78	6
52240670	78	2
52240674	74	1
52240675	76	1
52240746	74	1a
52240748	77	5
52244040	59	1a
59010005	69	9
59010007	67	26
59040014	26	11
59040014	41	17
59040026	39	20
59040026	41	16
59040048	10	18
59040048	14	17
59150003	48	9

Part No.	Page No.	Figure No.
59200012	46	5
59210023	10	2
59210023	9	11
61910661	49	22
61910889	64	14
62010883	84	4
62010883	85	5
36AI0014	35	13
36AI0015	68	8
36AI0016	68	9
36AL0017	82	3a
36BA4013	67	29
36BA4013	68	10
36BB0006	4	10
36BB0007	2	16
36BB0012	4	2
36BB0029	74	14
36BB0033	82	3
36BH0006	43	7
36BH0007	43	8
36BH0008	43	9
36Bh0009	43	9
36BH0010	43	10
36Bh0011	43	10
36BH0012	43	11
36BH0013	43	12
36BH0014	43	13
36BH0015	43	14
36BH0017	43	13

**RE COMPACT,OPTIMA
& MAXIMA DIESEL**

Part No.	Page No.	Figure No.
36BH0018	43	14
36BH0019	43	15
36BH0030	43	11
36BH0031	43	12
52AB0098	59	1
52BA0283	76	3
52BB0075	59	1b
52BH000	77	1
52BH0055	74	1b
52BH0058	77	3
52BH006	77	2
52BH007	77	11
AA101721	42	4
AA101722	42	1
AA101747	73	17
AA101752	42	5
AA141046	38	2
AA151039	60	7
AA151047	48	1
AA151049	48	6
AA161089	74	12
AA161190	69	5
AA161191	69	6
AA161215	66	1
AA161218	67	22
AA161219	67	23
AA161225	66	15
AA161268	69	17
AA161269	69	18

Part No.	Page No.	Figure No.
AA161270	69	19
AA171006	44	3
AA171007	44	4a
AA171009	44	5a
AA171011	44	6
Aa171022	44	4
Aa171024	44	5
AA171025	56	1
AA181022	56	3
AA181023	56	2
AA201090	85	21
AA201227	85	7
AA201239	87	4
AA201262	83	16
AA201263	71	8
AA201264	83	13
AA221005	70	17
AA221006	70	16
AA231126	76	21
AA231129	79	22
AA231140	79	6
AA231223	71	10
AA231242	71	3
AA251001	73	14
AA251003	73	15
Ab151014	62	3
AB151049	60	3
AB151050	60	1
AB151053	60	11

**RE COMPACT,OPTIMA
& MAXIMA DIESEL**

Part No.	Page No.	Figure No.
AB151054	61	13
AB151072	61	6
AB151079	53	41
AB151100	53	42
AB161159	59	5
AB161182	59	2
AB161183	59	11
AB171013	49	30
AB171014	49	31
AB171015	49	32
AB171016	48	16
AB171016	58	11
AB171017	49	34
AB171020	48	14
AB171022	48	12
AB171023	48	13
AB171031	48	18
AB171034	48	8
AB171044	49	29
AB181012	56	4
AB181017	56	9
AB181019	56	8
AB181020	57	13
AB181022	57	15
AB181023	57	14
AB181033	56	5
AB201065	59	10
Ab201075	23	25
AB201076	86	6

Part No.	Page No.	Figure No.
AB201077	87	8
AD151021	60	12
AF201081	86	12
AF201094	87	6
AF231078	79	7
AF231079	79	9
AK201012	86	3
AL101020	40	17
AL101029	27	17
AL101030	27	18
AL101038	27	19
AL101053	78	21
AL121019	31	15
AL121020	33	6
AL121060	29	3
AL121062	29	4
AL121068	29	6
AL121069	29	7
AL121070	29	5
AL131007	14	4
AL131055	20	8
AL131058	19	9
AL131058	20	9
AL131059	19	6
AL131074	13	18
AL131074	14	15
AL131076	21	5a
AL131081	16	17
AL131127	20	11

**RE COMPACT,OPTIMA
& MAXIMA DIESEL**

Part No.	Page No.	Figure No.
AL141048	35	1
AL141054	35	11
AL141054	37	12
AL141058	35	7
AL151004	51	2
AL151005	51	5
AL151007	50	6
AL151007	51	6
AL151008	51	8
AL151010	51	20
AL151011	50	14
AL151011	51	14
AL151012	50	11
AL151012	51	11
AL151013	47	1b
AL151014	47	4a
AL151017	47	2b
AL151019	47	3b
AL151027	55	34
AL151052	53	43
AL151054	53	34
AL151089	50	9
AL151089	51	9
AL151093	51	1
AL151151	46	10a
AL151192	54	4
AL151193	54	19
AL151194	54	13
AL151195	54	7

Part No.	Page No.	Figure No.
AL151196	54	10
AL151197	54	8
AL151198	54	9
AL151201	54	12
AL151202	54	11
AL151205	54	20
AL151210	54	18
AL151211	54	15
AL151212	54	14
AL161069	74	3c
AL161226	78	13
AL161229	78	14
AL161236	69	8
AL161247	41	14
AL161249	41	3
AL161250	41	4
AL161251	41	7
AL161252	41	2
AL161253	41	15
AL161273	86	1a
AL161302	41	13
AL161362	67	20
AL161377	78	9
AL161379	68	4
AL161382	68	2
AL161390	68	3
AL161392	74	3b
AL161502	66	5
AL161503	66	4

**RE COMPACT,OPTIMA
& MAXIMA DIESEL**

Part No.	Page No.	Figure No.
AL161505	41	5
AL161509	77	12
AL161626	41	1
AL171011	44	3a
AL171012	44	4b
AL171014	44	5b
AL171017	44	8
AL171020	44	6b
AI171027	46	15
AL171031	45	1
AL171036	45	7
AL171045	58	2
AL171047	58	1
AL171051	58	15
AL171053	55	21
AL171058	58	17
AL171065	42	9
AL171067	58	3
AL171081	58	12
AL171091	58	9
AL171093	58	8
AL171095	58	10
AL171104	58	14
AL181003	56	5
AL181004	56	3
AL181005	56	6
AL181006	56	2
AL181007	56	4
AL181009	56	9

Part No.	Page No.	Figure No.
AL191020	73	12
AL191028	68	6
AL191039	66	16
AL191039	68	12
AL201012	86	13
AL201020	82	1a
AL201031	87	7
AL201034	34	7
AL201034	35	12
AL201039	86	10
AL201062	87	3
AL201070	87	15
AL201073	86	10a
AL201078	68	22
AL201082	86	2
AL201100	67	19
AL201100	68	15
AL201119	83	8
AL201120	83	9
AL201127	75	16
AL221032	71	22
AL221033	71	23
AL241023	71	7
AN131007	14	12
AN151003	72	9
AN151004	73	10
AN161074	82	4
AN161075	82	6
AP111023	15	11

**RE COMPACT,OPTIMA
& MAXIMA DIESEL**

Part No.	Page No.	Figure No.
AP111023	87	11
AP121064	29	10
AP121074	21	8a
AP151002	50	2
AP151017	52	4
AP151025	50	5
AP151031	50	18
AP161047	64	6a
AP161048	64	1
AP161054	79	1
AP181009	64	6
AP191001	66	7
AP201037	86	1
AP201058	86	11
AP201066	83	6
AT213001	80	19
AT213001	81	9
AZ161215	73	11
AZ402402	66	7
AZ581018	31	9
AZ581021	31	8
BA100300	1	15
BA102003	2	17
BA102004	9	2
BA102005	9	5
BA102006	1	4
BA102007	9	4
BA102008	1	5
BA102009	1	8

Part No.	Page No.	Figure No.
BA102014	22	6
BA102017	22	7
BA102018	23	34
BA102019	22	8
BA102020	22	9
BA102021	22	3
BA102022	22	10
BA102023	22	4
BA102025	23	32
BA102026	23	33
BA102027	23	20
BA102029	32	3
BA102033	24	3
BA102034	24	4
BA102036	24	6
BA102038	1	9
BA102038	9	7
BA102038	13	16
BA102038	21	5
BA102038	25	14
BA102042	25	16
BA102043	25	2
BA102047	25	10
BA102048	3	6
BA102054	3	2
BA102055	3	5
BA102061	4	4
BA102062	4	5
BA102064	4	9

**RE COMPACT,OPTIMA
& MAXIMA DIESEL**

Part No.	Page No.	Figure No.
BA102068	5	2
BA102071	5	5
BA102072	5	6
BA102076	6	5
BA102077	6	2
BA102078	6	3
BA102080	1	9a
BA102084	10	9
BA102087	7	2
BA102088	26	1
BA102090	26	3
BA102096	26	10
BA102099	5	7
BA102099	11	17
BA102099	27	4
BA102100	27	7
BA102104	23	27
BA102113	10	17
Ba102118	5	11
BA102126	5	10
BA102127	10	7
BA102129	3	3
BA102130	5	9
BA102131	9	5b
BA102132	9	5a
BA102146	21	9
BA102146	25	12
BA102147	21	8
BA102147	25	13

Part No.	Page No.	Figure No.
BA102156	26	9
BA102158	39	1
BA102159	39	2
BA102160	39	13
BA102164	39	8
BA102175	5	1a
BA102186	8	18
BA102187	8	19
BA102207	21	10
BA102208	5	1
BA102215	27	13
BA102216	27	12
BA102222	26	2
BA102233	39	18
BA102235	26	7
BA102238	3	7
BA102244	23	29
BA102254	25	18
BA102255	6	6
BA102259	25	1a
BA102263	25	7
BA102264	25	1
BA102267	25	5
BA102270	22	12
BA102277	23	23
BA102279	24	5
BA102290	9	1
BA102292	26	15
BA102293	10	8

**RE COMPACT,OPTIMA
& MAXIMA DIESEL**

Part No.	Page No.	Figure No.
BA102301	24	1
BA102303	24	13
BA102304	5	4
BA102305	26	6
BA102308	23	21
BA102309	5	3
BA103000	2	21
BA103003	32	2
BA103004	32	1
BA103009	28	7
BA103010	1	1
BA103011	32	11
BA103012	26	4
BA103017	38	18
BA103022	38	19
BA103024	38	1a
BA103027	30	13
BA103030	38	20
BA103032	23	21
BA103035	30	9
BA103037	30	7
BA111006	22	15
BA111006	23	26
BA111016	27	14
BA111023	27	2
BA122002	26	14
Ba122003	36	7
BA122011	38	10
BA122012	38	11

Part No.	Page No.	Figure No.
BA122013	38	12
BA122014	38	15
BA122029	7	3
BA122030	7	4
BA122032	7	6
BA122034	7	18
BA122041	7	9
BA122044	7	16
BA122047	8	4
BA122048	8	5
BA122049	8	7
BA122050	8	11
BA122051	8	2
BA122052	8	3
BA122062	30	8
BA122070	28	4
BA122071	28	6
BA122072	36	1
BA122075	28	9
BA122086	36	11
BA122134	36	2
BA122135	36	3
BA122135	37	3
BA122137	36	4
BA122139	36	5
BA122140	36	6
BA122140	37	6
BA122142	36	8
BA122142	37	8

**RE COMPACT,OPTIMA
& MAXIMA DIESEL**

Part No.	Page No.	Figure No.
BA122143	10	15
BA122143	33	13
BA122143	35	14
BA122143	36	9
BA122143	36	13
BA122143	37	9
BA122143	37	13
BA122180	30	5
BA122181	30	6
BA122182	30	12
BA122183	30	7
BA122184	30	14
BA122192	28	2
BA122204	10	4
BA122205	10	3
BA122209	10	16
BA122210	10	21
BA122216	8	13
BA122220	28	1
BA122229	30	1
BA132012	13	9
BA132017	12	8
BA132019	73	20
BA132045	18	4
BA132064	14	5
BA132088	18	10
BA132088	16	12
BA132094	11	6
BA132095	11	12

Part No.	Page No.	Figure No.
BA132104	11	8
BA132116	16	14
BA132121	14	18
BA132122	11	2
BA132122	13	2
BA132122	21	7
BA132134	13	6
BA132141	15	17
BA132179	13	14
BA132185	12	5
BA132189	21	11
BA132201	19	11
BA132211	12	6
BA132244	12	2
BA132246	12	3
BA132272	11	7
BA133000	1	2
BA133016	13	1
BA133018	21	1
BA133022	11	9
BA133023	11	10
BA133025	42	7
BA133028	42	6
BA133031	19	3
BA133032	19	1
BA133033	17	22
BA133035	18	11
BA141013	33	2
BA141013	35	2

**RE COMPACT,OPTIMA
& MAXIMA DIESEL**

Part No.	Page No.	Figure No.
BA141017	10	14
BA141017	33	12
BA141017	35	6
BA141017	36	10
BA141017	37	10
BA141019	33	7
BA141029	36	14
BA141030	36	12
BA141033	38	3
BA141034	34	16
BA141034	35	20
BA141041	33	1
BA141053	33	14
BA161029	82	7
BA161030	41	20
BA161031	39	6
BA161146	86	17
BA161167	39	14
BA171005	45	2
BA171007	45	4
BA171008	45	3
BA171009	45	1
BA191031	73	22
BA191032	73	21
Ba191040	73	13
BA191077	72	7
BA191080	64	9
BA191082	72	1
BA191083	72	5

Part No.	Page No.	Figure No.
BA191084	72	2
BA191085	73	11
BA191086	73	12
BA191090	72	1
BA201001	82	1
BA201006	22	18
BA201006	26	12
BA201006	27	5
BA201006	27	9
BA201007	14	22
BA201017	86	8
BA201082	10	11
BA201082	87	9
BA201093	87	14
BA201107	33	3
BA201120	87	13
BA201129	86	2
BA201155	75	10
BA201169	75	1
BA201170	75	2
BA201171	87	2
BA201172	87	1
BA201176	75	5
BA201178	75	6
BA220003	76	17
Ba220006	76	22
BA231010	30	9
BA231013	30	10
BA231096	79	10

**RE COMPACT,OPTIMA
& MAXIMA DIESEL**

Part No.	Page No.	Figure No.
Ba231150	79	15
Ba231151	79	15
BA250004	74	2a
BA250005	74	2
BB101045	3	7
BB101090	22	11
BB101094	4	1
BB101095	4	3
BB101110	2	18a
BB101165	4	6
BB101168	4	7
BB101170	4	11
BB101171	8	12
BB101172	6	1
BB101173	6	7
BB101176	23	21a
BB103000	2	23
BB103003	32	1b
BB103004	8	17
BB103005	1	1b
BB103006	10	12
BB103007	10	13
Bb103008	1	9b
BB103010	9	12
BB103011	10	1
BB103019	23	24
BB103030	8	1
BB103037	1	3
BB103040	22	1

Part No.	Page No.	Figure No.
BB103043	38	6
BB103044	38	7
BB103045	38	7a
BB103046	22	13
BB103052	3	1
BB103054	29	14
BB103055	29	13
BB103055	30	2
BB103056	24	8
BB103057	24	10
BB103058	26	8
BB103061	7	1
BB103069	24	11
BB103071	9	9
BB103077	1	3a
BB111009	86	9
BB111009	22	14
BB111010	27	16
BB111011	27	1
BB121029	29	8
BB121043	37	1
BB121047	37	4
BB121048	37	5
BB121049	37	2
BB121050	37	11
BB121080	7	7
BB121082	7	10
BB121083	7	12
BB121084	7	13

**RE COMPACT,OPTIMA
& MAXIMA DIESEL**

Part No.	Page No.	Figure No.
BB121085	7	14
BB121093	38	14
BB121094	38	9
BB121097	7	17
BB121099	38	5
BB121107	31	5
BB121108	31	8
BB121111	31	4
BB121112	31	3
BB121113	31	1
BB122222	10	14a
BB122223	10	15a
BB122224	29	11
BB122226	38	1
BB122228	38	0
BB131024	42	14
BB131040	31	17
BB131136	12	1
BB131138	12	7
BB131166	13	15
BB132003	11	1
BB132009	21	1a
BB133000	1	2b
BB133003	16	18
BB133004	17	26
BB133005	16	19
BB133006	17	20
BB133010	18	1
BB133012	18	5

Part No.	Page No.	Figure No.
BB133013	16	1
BB133014	16	2
BB133015	16	3
BB133016	16	4
BB133017	16	5
BB133018	16	6
BB133019	18	8
BB133022	14	1
Bb133025	13	1
BB133026	16	13
BB133028	15	1
BB133041	15	15
BB133042	15	14
BB133044	18	9
BB133049	15	6
BB133050	15	19
BB133051	15	9
BB133052	20	2
BB133054	15	2
BB133055	20	4
BB133061	18	11
BB133062	18	8
BB133066	46	13
BB133068	18	3
BB133082	14	6
BB133084	18	2
BB133085	18	5
BB133093	16	7a
BB133095	43	2

**RE COMPACT,OPTIMA
& MAXIMA DIESEL**

Part No.	Page No.	Figure No.
BB133096	43	1
BB133097	20	1a
Bb133098	17	22b
BB133099	20	3a
BB141024	34	6
BB141024	37	12
BB141033	37	14
BB141035	35	16
BB141038	38	4a
BB141039	35	17
BB151001	63	12
BB151024	60	5
BB151025	60	6
BB151026	60	7
BB151030	46	2a
BB151031	46	4b
BB151034	46	3b
BB151036	46	1b
BB151039	62	1
BB151040	61	1
BB151042	54	6
BB151043	54	5
BB151048	60	11a
Bb151052	57	24
BB151053	54	1
BB151055	54	3
BB151056	54	2
BB151057	54	17
BB151058	54	17a

Part No.	Page No.	Figure No.
BB151059	54	17b
BB151060	54	16
BB151062	55	32
BB151063	55	33
BB151064	55	31
BB151065	55	25
BB151066	55	26
BB151067	55	27
BB151068	55	28
BB151069	55	29
BB151070	55	30
BB161048	74	15
BB161096	69	5
BB161097	69	6
BB161100	68	18
BB161101	68	17
BB161107	57	22
BB161122	74	5
BB161123	68	1
BB161124	68	0
BB161130	68	11
BB161132	74	6
BB161171	78	3
BB161175	82	2b
BB161182	85	14
BB161184	85	15
BB161226	82	4a
BB161227	82	7a
BB161244	77	21

**RE COMPACT,OPTIMA
& MAXIMA DIESEL**

Part No.	Page No.	Figure No.
BB161245	77	22
BB161252	86	18
BB171007	44	2b
BB171008	44	1b
BB171027	45	2
BB181007	56	1b
BB181010	56	7
BB181011	74	2c
BB191003	68	5
BB191018	72	3
BB191019	72	4
BB191025	64	8
BB191029	63	1
BB191031	72	5
BB191038	72	2
BB201022	86	14
BB201050	68	5
BB201059	75	12
BB201068	83	10
BB201069	83	11
BB201070	83	12
BB201074	75	4
BB201076	75	8
BB211010	81	3
BB211012	81	2
BB211014	81	1
BB221004	80	15
BB221004	81	6
BB221005	76	24

Part No.	Page No.	Figure No.
BB221013	78	24
BB231131	81	17
BB231141	78	19
BB231142	78	20
BB231220	81	7
BB231225	78	7
BB231227	81	15
BB231229	81	4
BB231232	81	5
BB231268	81	14
BB231269	81	13
BB231271	74	7
BB231271	78	8
BB231337	81	8
BB231338	81	11
BB231369	78	25
BB231370	78	26
BB611400	7	1
BF131428	47	3a
BF131707	46	11
BF131722	46	4a
BF131723	46	3a
BF131904	55	24
BF131905	55	23
BF161283	63	16
BF171604	33	8
BF185019	59	18
BF551613	13	7
BF551613	21	4

**RE COMPACT,OPTIMA
& MAXIMA DIESEL**

Part No.	Page No.	Figure No.
BG113403	40	20
BG113804	60	8
BG131802	72	8
BG141252	42	10
BG141253	42	11
BG141254	42	13
BG171006	34	1
BG171800	34	5
BG171803	34	10
BG171804	34	9
BG171804	38	4
BG171805	34	4
BG221003	77	20
BG231000	76	23
BG233002	69	2
BG351601	27	15
BG351602	27	8
BG351603	27	8
BG403206	86	5
BG501004	1	10
BG501006	1	11
BG541200	2	18
BG541201	2	19
BG551011	18	6
BG551613	19	2
BG551614	19	7
BG551615	19	5
BG551615	20	5
BG551618	19	4

Part No.	Page No.	Figure No.
BG552600	14	4
BG581000	40	10
BG581000	29	1
BG581006	29	2
BG581404	31	13
BH111056	57	21
BH111071	71	17
BH111088	69	20
BH111092	74	9
BH113407	40	11
BH113409	40	12
BH113409	40	19
BH113411	39	3
BH113411	40	18
BH113805	82	2
BH113806	82	2a
BH121002	57	23
BH121004	58	1
BH121005	58	2
BH122000	45	2
BH122002	44	6a
BH122005	44	1a
BH122006	44	2a
BH131002	47	4
BH131006	52	1
BH131010	47	2a
BH131011	50	21
BH131013	47	1a
BH131203	46	2

**RE COMPACT,OPTIMA
& MAXIMA DIESEL**

Part No.	Page No.	Figure No.
BH131204	46	1a
BH131206	47	11
BH131211	47	9
BH131212	52	3
BH131213	52	2
BH131405	47	10
BH131407	77	26
BH131600	50	8
BH131802	60	6
BH131804	60	7
BH131809	50	1
BH131813	53	23
BH131814	53	24
BH131817	59	20
BH141224	43	2
BH141225	43	1
BH151001	56	1a
BH151007	56	2
BH151008	56	6
BH151009	56	7
BH161004	64	12
BH161007	63	2
BH161009	63	3
BH161010	63	7
BH161011	63	8
BH161012	63	9
BH161014	63	8
BH161021	63	9
BH161202	73	11

Part No.	Page No.	Figure No.
BH161203	73	12
BH161208	72	3
BH161209	72	4
BH161214	72	9
BH161215	73	10
BH161222	72	7
BH161223	72	6
BH161224	72	1
BH161225	66	18
BH161225	68	14
BH161226	66	17
BH161226	68	13
BH161227	72	5
BH161229	72	2
BH171600	34	8
BH171810	37	14
BH181201	80	12
BH181203	66	10
BH181204	75	13
BH181401	77	17
BH181402	77	18
BH181405	77	23
BH181406	77	24
BH182403	77	15
BH184000	71	2
BH184601	71	22
BH184602	71	23
BH185001	31	18
BH185002	31	20

**RE COMPACT,OPTIMA
& MAXIMA DIESEL**

Part No.	Page No.	Figure No.
BH185003	31	12
BH191009	80	8
BH191019	80	6
BH191022	80	10
BH191026	80	1
BH191031	80	5
BH191032	80	3
BH211061	77	9
BH211158	77	10
BH211163	77	8
BH211165	77	7
BH213009	80	17
BH213012	80	18
BH232604	74	2b
BH241400	77	4
BH241402	77	6
BH241800	77	19
BH401000	85	3
BH401002	85	4
BH401004	85	10
BH401010	66	7
BH401400	14	11
BH401400	87	10
BH402209	75	11
BH402220	86	15
BH402224	75	3
BH402225	75	7
BH402600	33	3
BH402600	34	2

Part No.	Page No.	Figure No.
BH402600	35	3
BH402601	66	11
BH402602	66	12
BH501007	2	22
BH501009	1	1a
BH551002	1	2a
BH551400	12	1
BH551402	12	7
BH551403	12	8
BH551404	14	19
BH551409	43	6
BH551420	43	4
BH551421	43	5
BH551609	20	7a
BH551610	20	6a
BH551614	20	3
BH551615	20	7
BH551616	20	6
BH551617	20	1
BH551618	17	22a
BH551800	43	3
BH552005	13	1
BH581005	31	5
BH581010	31	6
BH581015	31	4
BH581016	31	2
BH581021	31	1
BH591001	32	1a
CE181015	67	25

**RE COMPACT,OPTIMA
& MAXIMA DIESEL**

Part No.	Page No.	Figure No.
CL181024	48	7
CL201023	83	15
CM191049	64	16
CM201054	66	8
CM201054	87	12
DG141019	78	22
DG201084	86	4
DH161194	63	4
DJ161229	69	11
DJ201072	84	3
DL191020	66	9
DS161125	59	19
EC131835	60	10
GH201012	85	6
JB131019	48	9
JG581015	31	19
KAAA0516	70	15
KAAA0812	63	14
KAAD0520	57	20
KAAD0525	57	20
KAAG0885	85	12
KADA0512	71	18
KADA0612	79	24
KADa0614	75	14
KADA0620	26	5
KADA0620	70	12
KADA0620	71	19
KADA0814	82	8
KADA0814	85	16

Part No.	Page No.	Figure No.
KADD0516	15	16
KADd0614	15	8
KADD0616	34	14
KADD0616	35	18
KADD0620	29	12
KADD0620	30	3
KADD0625	15	10
KADD0660	30	4
KADD0670	14	14
KADD0670	15	3
KADD0816	34	13
KADD0820	35	9
KADD0825	37	7
KADD0840	11	18
KADD0860	23	31
KADD1030	60	4
KADD1030	61	12
KADE0835	14	23
KADE0850	14	21
KADG1085	41	10
KAEB0830	63	15
KAED0816	34	15
KAED0816	35	19
KBCA0410	46	9
KBCA0410	48	10
KBca0414	83	5
KBRA4219	85	17
KBRB3513	84	12
KBRB3525	84	8

**RE COMPACT,OPTIMA
& MAXIMA DIESEL**

Part No.	Page No.	Figure No.
KBTA0406	48	19
KBUB0410	80	14
KBUC0410	64	7
KCAA0504	78	17
KCAD0504	76	20
KCAD1411	45	5
KCGA0505	77	25
KCGA0606	74	13
KCGD0606	85	22
KCGD0808	35	10
KDBa1632	46	17
KDBC0512	80	13
KDBE0613	15	18
KDDA0815	63	13
KDDD0630	80	16
KEAA1010	63	11
KEAB2412	17	23
KEBB4717	48	4
KEBB5520	46	7a
KEBB6825	46	7b
KECA7008	62	15
KHAa2020	63	11
KHCA0418	7	15
KJAA2024	50	20
KJAA3035	46	14
KPBB6007	13	8
KPBB6007	21	3
LAA00014	59	7
LAC00035	46	8

Part No.	Page No.	Figure No.
LAC00044	46	8a
LAD00010	41	21
LAD00067	33	5
LAD00069	24	2
LAE00006	65	6
LAE00017	14	9
LCG00010	11	4
LDA00002	7	11
LDA00002	63	10
LDF00001	75	15
LDF00002	75	17
LHC00001	64	11
LJA00002	24	12
YBA07001	28	3
YBA07002	28	11
YBA07003	28	5
YBA07004	28	12